



# 2019 INSTALLATION GUIDE



## CHANGES FOR 2019 INSTALL GUIDE:

- » **Page 7** Updated storage recommendations to include new Trex® Enhance® profile
- » **Page 22** Added Trex Photocell Motion Controller Instructions
- » **Page 27** Added new decking profiles (Enhance Naturals)
- » **Page 28** Added new decking profiles and additional fascia fasteners to Decking and Fascia Recommended Fasteners list
- » **Page 29** Updated Fascia Install Recommendations
- » **Page 35** Updated routing square edge profile recommendations for decking profiles
- » **Page 37** Updating hidden fastener instructions using square edge board as last deck board
- » **Page 42-43** Updated stair spanning and installation instructions for new Trex® Enhance® profile
- » **Page 62** Updated ADA SKU numbers
- » **Pages 64, 67, 72, 84, 98, 118, 119, 144, 147** Updated Cocktail rail instructions for all railing configurations - new Trex® Enhance® profile cannot be used for Cocktail rail applications and removed Contour references
- » **Page 77** Updated Transcend Stair Railing Instructions
- » **Page 133** Revised Rod Rail instructions for method of measurement and cutting of top and bottom rails
- » **Page 154** Updated ADA Railing Profiles and Instructions
- » **Page 160** Updated Limited Warranty page

## NEED HELP?

Trex provides a variety of valuable resources to answer your questions or concerns. For additional assistance, check out:

### » **Trex.com**

Here you will find a wealth of useful information on Trex's extensive products including: installation, care and cleaning instructions and videos, technical help, and FAQs. You'll also find inspiring photos of deck projects, steps to help you plan and start your project, and tips for selecting the right deck builder. At **trex.com**, you can request information, register your warranty, and reach out to customer service representatives who can answer even more questions.

- » Call **1-800-BUY-TREX (1-800-289-8739)** and speak to a Customer Loyalty Advocate who can answer your questions.

Refer to **www.trex.com** for up-to-date installation and technical documents that may not be found in this printed guide.



This symbol indicates text continues to next page.

**NOTE: Construction methods are always improving. Please refer to [www.trex.com](http://www.trex.com) for the most up-to-date installation requirements.**

# TREX INSTALLATION GUIDE

# CONTENTS

## SECTION ONE: General Information

|                         |   |
|-------------------------|---|
| Safety .....            | 5 |
| Tools .....             | 5 |
| Care and Cleaning ..... | 6 |

## SECTION TWO: Planning Ahead

|  |    |
|--|----|
| Trex Decking .....                               | 10 |
| Railing (Including ADA Handrail) .....           | 10 |
| Trex Lighting .....                              | 10 |
| Trex® RainEscape® Drainage System .....          | 10 |
| Installing Hot Tubs, Planters, and Seating ..... | 10 |
| Installing Fireplaces and/or Fire Pits .....     | 10 |
| Installing a Pergola .....                       | 11 |
| Installing Trex® Spiral Stairs™ .....            | 11 |
| Installing Trex® Outdoor Kitchens™ .....         | 11 |

## SECTION THREE: Lighting

### How to Install Trex® OutdoorLighting™

|                                       |    |
|---------------------------------------|----|
| Outdoor Lighting SKUs .....           | 13 |
| Parts List/Tools Needed .....         | 14 |
| Lighting and Wiring Overview .....    | 14 |
| Helpful Tips .....                    | 14 |
| General Information .....             | 15 |
| Planning .....                        | 15 |
| Installing Wiring .....               | 15 |
| Making Connections .....              | 15 |
| Timer Operation Instructions .....    | 16 |
| Installing Post Cap Lights .....      | 16 |
| Installing Deck Rail Lights .....     | 16 |
| Installing Riser Lights .....         | 17 |
| Installing Recessed Deck Lights ..... | 17 |
| How to Program Dimmer Remote .....    | 18 |

### How to Install Trex® Signature™ Post Cap Light

|                                  |    |
|----------------------------------|----|
| Parts List/Tools Needed .....    | 18 |
| Helpful Tips .....               | 19 |
| Installing Post Cap Lights ..... | 19 |

### How to Install Trex® Wedge Deck Rail Light

|                               |    |
|-------------------------------|----|
| Parts List/Tools Needed ..... | 20 |
| Helpful Tips .....            | 20 |

### How to Install Trex® Photocell Motion Controller

|                                      |    |
|--------------------------------------|----|
| Parts List/Tools Needed .....        | 22 |
| Overview .....                       | 22 |
| Motion Control Sensor Location ..... | 22 |
| Making a Post Pocket .....           | 23 |
| One Sensor Install .....             | 23 |
| Two Sensor Install .....             | 23 |
| Multiple Zone Install .....          | 24 |
| Adjustments .....                    | 24 |
| Other Buttons/Functions/Zones .....  | 25 |

## SECTION FOUR: Decking

|   |    |
|---|----|
| Decking, Porch Flooring & Fascia SKUs .....     | 27 |
| Decking and Fascia Recommended Fasteners .....  | 28 |
| Trex® Fascia Installation Recommendations ..... | 29 |
| Framing and Fastening Tips .....                | 30 |
| Rooftop and Sleeper Deck Systems .....          | 31 |
| Metal Framing Requirements and Gapping .....    | 32 |
| Code Compliance .....                           | 33 |
| Gapping and Overhang .....                      | 34 |

### How to Install Decking

|  |    |
|--|----|
| Important Notes Before Installing Trex Decking .....   | 35 |
| Routing Square Edged Boards for Trex Hideaway®         |    |
| Hidden Fasteners .....                                 | 35 |
| Abutted Board Attachment Requirements .....            | 35 |
| Metal Framing .....                                    | 35 |
| Installing Trex Transcend®, Enhance®, Select®          |    |
| Deck Boards .....                                      | 36 |
| Installing Escapes Boards with Trex Hideaway           |    |
| Universal Hidden Fasteners .....                       | 37 |
| Installing Trex Transcend Porch Boards .....           | 39 |
| Replacing Trex Boards .....                            | 41 |
| Spanning Requirements For Trex Stairs .....            | 42 |
| Stairs .....   | 42 |
| Installing Trex Stair Treads                           |    |
| Installed with Hidden Fasteners .....                  | 43 |
| Location and Installation of Surface Mount             |    |
| Post - Decking .....                                   | 44 |
| Parts List/Tools and Materials Needed .....            | 44 |
| How to Install Post Mounts on Pressure-Treated         |    |
| Wood Framing .....                                     | 44 |
| Corner Post Installation .....                         | 44 |
| Line Post Installation .....                           | 45 |
| How to Install Guide Blocks .....                      | 45 |
| How to Install Railing System of Choice .....          | 46 |
| Location and Installation of Post Mounts - Concrete .. | 47 |
| Parts List/Tools Needed .....                          | 47 |
| How to Install Guide Blocks .....                      | 47 |
| How to Install Railing System of Choice .....          | 48 |
| How to Install Joist Mount Posts                       |    |
| Parts List/Tools Needed .....                          | 49 |
| Inside Mount   |    |
| Front Rim Plate - Between Joists .....                 | 50 |
| Front Rim Plate - Next to Joist .....                  | 50 |
| Side Joist .....                                       | 51 |
| Corner .....   | 52 |
| Composite Post Sleeve Applications                     |    |
| Installation of Guide Blocks and Railing .....         | 53 |
| Fascia Mount   |    |
| Front Rim Plate - Next to Joist .....                  | 54 |
| Side Joist - With Blocking .....                       | 55 |
| Outside Frame Corner .....                             | 56 |



**SECTION FIVE: Railing**

|   |     |
|---|-----|
| Post Sleeves, Caps and Skirts SKUs.....   | 58  |
| Trex® Signature™ Aluminum Railing SKUs .....  | 59  |
| Trex Transcend Railing SKUs .....   | 60  |
| Trex Select Railing SKUs.....   | 61  |
| Aluminum Gates SKUs.....  | 62  |
| Aluminum ADA Compliant Handrail SKUs .....  | 62  |
| <b>Trex Transcend® Railing</b>  |     |
| Parts List/Determining Balusters Needed .....   | 63  |
| Trex Transcend Railing Configurations .....   | 64  |
| How to Install Standard Railing .....   | 65  |
| How to Install Cocktail Railing .....   | 67  |
| How to Install Traditional Railing .....  | 68  |
| How to Install Round or Square Aluminum<br>Balusters .....  | 69  |
| How to Install Standard Glass Panel Railing .....   | 70  |
| How to Install Cocktail Style Glass Panel Railing .....   | 72  |
| How to Install Traditional Style Glass Panel Railing .....  | 73  |
| How to Install On-An-Angle Railing.....   | 75  |
| How to Install Crown and Universal Bird's<br>Mouth Railing.....   | 75  |
| How to Install Crown and Universal Stair Railing .....  | 77  |
| <b>Trex® Signature™ Railing</b>   |     |
| Parts List/Determining Balusters Needed .....   | 81  |
| Installing Trex® Signature™ Posts and/or Trex® Signature™<br>Crossover Posts on Wood or Concrete .....                                    | 82  |
| Installing Pressure-Treated Post, Post Sleeves,<br>and Skirts to Use with Trex® Signature™ Railing...82                                   |     |
| Installing Trex® Signature™ Posts on Concrete .....   | 83  |
| Railing Configurations.....   | 84  |
| Bracket Hardware - Horizontal Applications .....  | 85  |
| How to Install Horizontal Railing .....   | 86  |
| How to Install Horizontal Railing Post to Post .....  | 87  |
| How to Install Horizontal Railing Post to<br>Crossover Post.....  | 90  |
| How to Install Horizontal Railing Crossover Post<br>to Crossover Post .....   | 94  |
| How to Install Cocktail Railing .....   | 98  |
| How to Install Traditional Railing .....  | 99  |
| How to Install Horizontal Swivel Brackets .....   | 101 |
| How to Install Horizontal Swivel Railing .....  | 102 |
| How to Install Foot Blocks - Horizontal Railing .....   | 104 |
| Bracket Hardware - Stair Applications .....   | 105 |
| How to Install Stair Posts and<br>Stair Railing .....   | 106 |
| Attaching Fixed Stair Brackets and Rails to<br>Trex® Signature™ Posts and Pressure-Treated Posts<br>and Post Sleeves.....                 | 107 |
| Attaching Stair Swivel/Compound Swivel<br>Brackets And Rails To Trex® Signature™ Posts<br>And Pressure-Treated Post And Post Sleeves..... | 111 |
| Attaching Crossover Swivel Bracket On<br>Trex® Signature™ Post .....  | 114 |

|   |     |
|---|-----|
| Attaching Stair Rails In Crossover Post<br>Applications.....  | 116 |
| How To Install Trex® Signature™ Cocktail Stair<br>Railing .....   | 118 |
| How To Install Trex® Signature™ Traditional Stair<br>Railing .....  | 120 |
| How to Install Aluminum Gate .....  | 122 |
| <b>Trex® Signature™ Panels</b>  |     |
| Parts List/Tools Needed.....  | 124 |
| Bracket Hardware - Horizontal Applications .....  | 125 |
| How to Install Panels .....   | 126 |
| How to Install Foot Blocks.....   | 130 |
| <b>Trex® Signature™ Horizontal Rod Railing</b>  |     |
| Parts List/Tools Needed.....  | 131 |
| How to Install Horizontal Rod Railing Brackets.....   | 132 |
| How to Install Horizontal Rod Railing .....   | 132 |
| Installing Standard Stair Posts, or Pressure-Treated<br>Posts, Post Sleeves and Skirts.....                 | 137 |
| Bracket Hardware - Stair Applications.....  | 137 |
| How to Install Stair Posts and Horizontal Rod<br>Railing Stairs .....                                       | 137 |
| How to Install Horizontal Rod Railing Stairs.....   | 137 |
| <b>Trex Select® Railing</b>   |     |
| Parts List/Determining Balusters Needed .....   | 143 |
| Select Railing Configurations .....   | 144 |
| How to Install Trex Select Railing .....  | 144 |
| How to Install Cocktail Railing .....   | 147 |
| How to Install Traditional Railing .....  | 148 |
| How to Install On-An-Angle Railing.....   | 149 |
| How to Install Trex Select Stair Railing .....  | 150 |
| <b>Trex Aluminum ADA Compliant Handrail</b>   |     |
| ADA Handrail Guidelines .....   | 153 |
| Ramp Application .....  | 153 |
| ADA Railing Profiles.....   | 154 |
| Hardware.....   | 154 |
| How to Install Trex Aluminum ADA Compliant<br>90° Wall Return.....  | 155 |
| Wall Mount.....   | 155 |
| Inline Bracket.....   | 155 |
| Rail-to-Rail Connections/Internal Connector.....  | 155 |
| Elbows (90°, 36°, 34°, 31°, 5°) .....   | 156 |
| Handrail Return 180° .....  | 156 |
| Corner Mount .....  | 156 |
| <b>SECTION SIX: Warranties</b>  |     |
| Trex Transcend, Trex Enhance, Trex Select, and Trex®<br>Universal Fascia Limited Fade & Stain Warranty..... | 158 |
| Trex® Limited Warranty .....  | 160 |
| Trex® Signature™/Reveal® Railing Limited Warranty .....   | 161 |
| Color Palette.....  | 163 |



## SAFETY

When working on any construction project, you should wear protective clothing and safety equipment. Wear safety glasses, gloves, a dust mask and long sleeves, particularly when cutting in confined spaces.

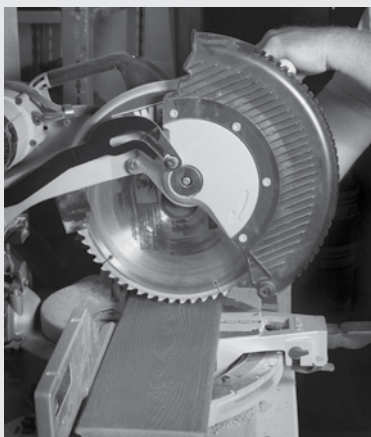
Trex decking and railing are heavier and more flexible than wood. **DO NOT** try to lift the same quantity of Trex boards as you would traditional lumber. Go to [www.trex.com](http://www.trex.com) for Safety Data Sheets (SDS).

## TOOLS

### SAWS

#### Miter Saw:

When using a miter saw we recommend using the Trex Blade™ or a carbide-tipped blade with 60 teeth or more. The Trex Blade comes in three different sizes and is ideal for cutting all Trex decking and railing products (not recommended for Trex Elevations®).



#### Jigsaw:

For detailed and/or small cuts (Example: cutting deck board to fit around a post), a jigsaw with a carbide-tipped blade can be used.



### DRILLS

Install Trex recommended fasteners with standard power drills, impact drivers (use care if using impact drivers), or right angle drills.



### SPECIFIC DECK BOARD ATTACHMENT TOOLS

#### Screw Guns:



Some Trex recommended deck fasteners are compatible with screw guns. Refer to the recommended fasteners page for more information.

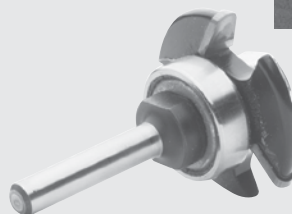
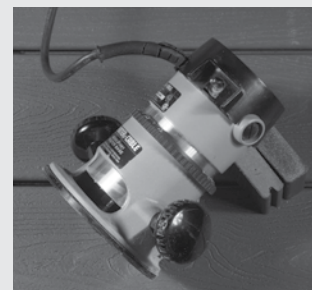
#### TigerClaw® Pneumatic Gun:

If choosing to use the Trex Hideaway Hidden Fastener Connector Clips (these are the metal clips) for Transcend or Enhance Decking or the TigerClaw TC-G Hidden Fasteners with Trex Select Decking, the TigerClaw pneumatic gun is a terrific option that allows for quicker install time.



#### Trex Router Bit:

Trex decking routs to give extremely crisp edges when using the Trex Router Bit with standard router, and can be use with all Trex Hideaway Hidden Fasteners.



\*Trex Blade™ is manufactured and sold by Freud Tools, Inc. under a Trademark License Agreement with Trex Company, Inc.

\*Tiger Claw® is a registered trademark of Tiger Claw, Inc.

## TREX TRANSCEND<sup>®</sup>, TREX ENHANCE<sup>®</sup>, AND TREX SELECT<sup>®</sup> CARE AND CLEANING GUIDE

All exterior building materials require cleaning. Generally, soap and water is all that is required to clean Transcend, Enhance, and Select products. For additional information, see below.

| PROBLEM  | SOLUTION   |
|--|--|
| Dirt and Debris  | The affected area should be sprayed off with a hose to remove surface debris. Use warm soapy water and a soft bristle brush to remove dirt and debris from the embossing pattern.  |
| Hard Water Staining  | Hard water is water with a high amount of mineral deposits like lime, silica and calcium. When the water dries, deposits are left behind, leaving unsightly spots on surfaces. This is not a defect of Trex products but an issue with the water itself. Generally, these deposits can be cleaned with white vinegar on decking surfaces or with the use of Magic Eraser <sup>®</sup> on railing surfaces. Rinsing is required so care should be taken to not use hard water for this purpose. If hard water must be used, dry with a cloth or use a blower to dry surfaces. In some cases a deck brightener product may also be used to help clean hard water stains. |
| Chalk Lines  | Most colored chalks are permanent and may discolor the surface. Use only Irwin Strait-Line <sup>®</sup> * Dust-Off Marking Chalk (purple), available at <a href="http://Irwin.com">Irwin.com</a> .   |
| Tannins Due to Debris  | Remove all debris from the deck using a hose or broom. Once the deck surface is dry, apply a deck "brightener"*** to the deck as directed by the manufacturer. Deck Brighteners contain oxalic acid, which will also remove tannins.   |
| Ice and Snow   | A plastic shovel may be used to remove snow from the deck. Use calcium chloride or rock salt to melt the snow and ice from the deck surface.   |
| Oil, Grease, and Food  | All food spills should be removed as soon as possible. <b>The surface must be cleaned within seven days to maintain the stain warranty.</b> To remove, spray off with a hose and use warm, soapy water and a soft bristle brush to remove spills from the embossing pattern.   |
| Mold and Mildew  | If debris such as pollen and dirt is allowed to remain on the deck surface, mold can feed on the biofilm. Using a hose and warm, soapy water with a soft bristle brush is recommended to remove the food source and mold.  |
| Using a Pressure Washer (Concrete, Stucco, or Ground-in Construction Dirt) | A pressure washer with <b>no greater</b> than 3100 psi*** that has a fan attachment/adjustment and soap dispenser may be used to remove dirt, concrete dust, or other types of construction dirt. Spray deck with soap, then follow by gently scrubbing each deck board with a soft bristle brush. Spray/rinse each individual deck board using a fan tip no closer than 8-in (203 mm) from the decking surface. <b>RINSE THOROUGHLY.</b> If dirty water from cleaning is left to dry, a film will remain on the decking surface.  |
| Maintaining Transcend and Select Railing                                   | <b>Never</b> use acetone or other solvents on Trex Transcend or Select railing to maintain the beauty of the surface. For color transfer issues (from attachment of baluster spacer), use Mr. Clean <sup>®</sup> Magic Eraser <sup>®</sup> Original**** or Plexus <sup>®</sup> Plastic Cleaner***** to help remove this. For small surface scratches, marks, or scuffs, use Dupli-Color Scratch Seal <sup>™</sup> Clear Sealer Pen.*****   |



# TREX TRANSCEND<sup>®</sup>, TREX ENHANCE<sup>®</sup>, AND TREX SELECT<sup>®</sup> CARE AND CLEANING GUIDE

| PROBLEM                                   | SOLUTION   |
|---|--|
| <p><b>Trex and Static Electricity</b></p> | <p>While this is not common, static electricity can occur on walking surfaces in dry climates or in areas where dry winds and dust-borne particles lay on the decking surfaces. Static electricity can build up on occupants walking across any composite decking surface, including Trex, then produce a small static shock if they touch a grounded metal surface such as railing, door, etc.</p> <p>This condition can be decreased greatly with the use of a product call ACL Staticide<sup>®</sup>. Two products tested were General Purpose Staticide<sup>®</sup> and Heavy Duty Staticide<sup>®</sup>. Both are effective in greatly reducing static electricity on Trex decking surfaces. Apply full strength using a mop on a dry decking surface, and allow to dry; no rinsing or diluting needed. Products are non-toxic, non-flammable, non-staining (will not change the color of decking surface), completely biodegradable and safe to use. Product is water-based and may require a second application after rain or other weather conditions. Over a period of time, the effect of static will dissipate naturally on the decking surface.</p> <p>See link for more information on product: <a href="http://www.aclstaticide.com/antistatic_coatings.html">http://www.aclstaticide.com/antistatic_coatings.html</a></p> |
| <p><b>Job Site Storage</b></p>            | <p>Store decking on a flat level surface and ALWAYS use proper supports (dunnage). <b>DO NOT</b> store directly on the ground. When stacking decking bundles, supports (dunnage) should start approximately 8-in (203 mm) from each end and be spaced approximately 2-ft (0.61m) on center. In addition, supports (dunnage) should line up vertically/perpendicular to the decking product. Adjust support blocks (dunnage) accordingly if bundles are loose. For Select decking, Enhance (scalloped profile only) decking, and 1x12 and 1x8 products, the maximum stack height is 12 bundles. For all other decking products maximum stack height is 14 bundles (<b>IMPORTANT TO NOTE THAT PROPER DUNNAGE SPACING MUST BE IN PLACE FOR THESE HEIGHTS</b>). When stacking multiple bundles, ensure that dunnage lines up vertically down through each stack. ALWAYS cover decking products on site until ready to be installed.</p>  |

\*Strait-Line<sup>®</sup> is a registered trademark of Irwin Industrial Tool Company.

\*\*Use of products containing bleach or acid can lighten the surface of Trex. Use in an inconspicuous area to determine whether you like the effect. Neither product will affect the structural integrity of Trex.

\*\*\*Use of a pressure washer greater than 3100 psi could damage the boards and void the warranty.

\*\*\*\*Mr. Clean<sup>®</sup> and Magic Eraser<sup>®</sup> are registered trademarks of The Proctor and Gamble Company.

\*\*\*\*\*Plexus Plastic Cleaner is a registered trademark of BTI Chemical Company Inc.

\*\*\*\*\*Scratch Seal<sup>™</sup> Clear Sealer Pen is a registered trademark of Dupli-Color Products Company.

## NOTES:

- » Refer to [www.trex.com](http://www.trex.com) to view a general care and cleaning video for Transcend, Enhance, and Select decking.
- » Refer to [www.trex.com](http://www.trex.com) for a care and cleaning guide for Trex Early-Generation Composite and PVC Decking.





## TREX® SIGNATURE™ RAILING CARE AND CLEANING GUIDE

Maintaining the appearance of your Trex® Signature™ railing is important. The occasional wash is recommended as over time your Trex® Signature™ railing may show signs of weathering as a result of exposure to the elements. The frequency of cleaning will depend on the environment and exposure to various types of elements.

**For installations where the atmosphere is influenced by bodies of salt water or other contaminant conditions, cleaning is required every 6 to 9 months. Failure to adhere to the required cleaning guidelines will void the Trex Limited Warranty with respect to any condition resulting from such failure. For purposes of any warranty claim, you should retain documentation of the cleaning date, cleaning method used, brand and amount of chemical used, and invoice from cleaning company (or a receipt for chemicals used).**

Regular cleaning may minimize the effects of weathering and remove dirt, grime and other build-up. The best method of maintaining the appearance of your Trex® Signature™ railing is to occasionally wash it using a solution of warm water and a non-abrasive, pH neutral detergent solution. The railing surface should be thoroughly rinsed after cleaning to remove all residues. Use a soft white cloth, sponge or a soft bristle brush.

**DO NOT clean Trex® Signature™ railing with solvents such as thinners or solutions containing chlorinated hydrocarbons, esters or ketones.**

The following cleaners are recommended for cleaning Trex® Signature™ railing:

- » Formula 409® Cleaner Degreaser/Disinfectant\*
- » Spray Nine® Cleaner/Disinfectant\*\*
- » Simple Green® All Purpose Cleaner\*\*\*
- » Fantastik® All Purpose Cleaner\*\*\*\*
- » Windex® Cleaner\*\*\*\*\*

\* Formula 409® Cleaner Degreaser/Disinfectant is a trademark of Clorox Company.

\*\* Spray Nine® All Purpose Cleaner/Disinfectant is a trademark of Illinois Tool Works Inc.

\*\*\* Simple Green® All Purpose Cleaner is a trademark of Sunshine Makers Inc.

\*\*\*\* Fantastik® All Purpose Cleaner is a trademark of SC Johnson & Son Inc.

\*\*\*\*\* Windex® is a trademark of SC Johnson & Son Inc.

# PLANNING AHEAD

PLANNING AHEAD

## PLANNING AHEAD

### Trex Decking:

- » When installing any Trex decking product, especially Trex Transcend Tropicals, it is a good idea to mix and match all of the boards on the job site prior to installation to ensure an appealing mix of light and dark tones.
- » **DO NOT** combine Trex Select decking with other Trex decking products. Trex Select boards are thinner than Transcend and Enhance boards.

### Railing (Including ADA Handrail):

- » First, pick the railing style you want.
- » Calculate your spanning based on the railing you chose.
- » Determine the number of balusters you will need based on the railing you chose.

**NOTE:** Trex Transcend and Select railings are made to be installed at maximum of 6' (1.83 m) or 8' (2.44 m) on center (depending upon type of railing you choose). Trex railings are not true 6' (72") or 8' (96") in length. Trex® Signature™ railing and Rod Rail are made to be installed at maximum 6' or 8' CLEAR SPAN BETWEEN POSTS.

- » Determine post locations prior to installing any decking. In most cases, posts are usually installed before decking is installed.
- » Confirm with your local building official if ADA Handrail is required, and if so plan spanning for posts accordingly to allow for attachment of Trex ADA Handrail. ADA Handrail requires a span of 6' OC for posts.
- » Grill placement: A good recommendation to help prevent damage to your railing is to not have a grill too close to your railing. Allow for ample airspace (6" or more is recommended) between the back/sides of your grill to help prevent charring or staining to the railing.

See pages 63–80 for Transcend railing installation, pages 81–130 for Trex® Signature™ railing installation, pages 131–142 for Rod Rail installation, pages 143–152 for Select railing installation, and pages 153–156 for ADA Handrail installation.

### Trex Lighting:

- » Plan locations of lights, power supply, timer, and dimmer. These should be accessible for service if necessary.
- » Install wiring before decking and railing have been installed.
- » **DO NOT** run wires between joists and deck boards.

See pages 13–25 for Trex® OutdoorLighting™ installation.

### Trex® RainEscape® Deck Drainage System:

- » Plan ahead for deck layout to allow for proper placement of Trex RainEscape within the joist system.
- » Make sure joists are straight and square.

See [www.trex.com](http://www.trex.com) for more information on Trex RainEscape recommendations and installation. Trex RainEscape is manufactured and distributed by Dri-Deck Enterprises, LLC, under a trademark license with Trex Company, Inc.

### Installing Hot Tubs, Planters, and Seating:

- » Plan ahead proper joist spanning if required (this is especially important if installing a hot tub).
- » Refer to page 33 for Trex Decking Span Chart for specific loads.

Call 1-800-BUY-TREX for detailed questions.

### Installing Fireplaces and/or Fire Pits With Trex Decking:



- » Determine if fire will be gas or wood burning. (NOTE: Most fire pits shown in Trex images are gas burning.)
- » For gas, the fire pit is installed by cutting around the Trex decking. **It is not to be installed on top of Trex decking.** A fire-resistant material is installed under the fire pit and a protective “wall” made from stone or other fire-resistant material is installed to hold fire pit in place and also protect the decking from heat.
- » For wood, fire pits are not recommended on top of Trex decking unless using a product called DeckProtect®. Wood-burning fire pits can damage the decking due to extreme heat from the bottom of the fire pit and/or burning embers “shooting” onto the decking. DeckProtect® was tested on all Trex decking and there were no issues with burning of the decking surface when placed directly under a standard size portable fire pit along with the accompanying rack (NOTE: Rack is not available for all sizes, so check with manufacturer first for verification). Trex does recommend that the DeckProtect® padding/rack

\*DeckProtect® is a registered trademark of Infinite Heat Solutions.



## PLANNING AHEAD/CONTINUED

be moved from time to time for general cleaning underneath. It should be noted that even when using DeckProtect®, burning embers could “shoot” beyond the protective mat and burn the deck.

For more information about this product, please visit their website at [www.deckprotect.net](http://www.deckprotect.net) or call 1-800-BUY-TREX. DeckProtect® is a registered trademark of Infinite Heat Solutions.



### Installing a Pergola on Trex Decking:

- » Keep in mind if you are planning to install a Trex® Pergola™ on your deck, you will need access to the underside of the deck. Trex Pergola mounts with a 10" x 10" (254 mm x 254 mm) aluminum plate on the underside of the deck, creating a clamping effect on

both the top and bottom of the deck for maximum strength. If installed, water barriers and any under deck coverings will have to be removed to properly install the pergola posts.

- » You need to consider the location of your pergola posts with respect to joists. However, you do not have to mount your plates between joists. It is possible to place blocks on the bottom of the joists and mount the Trex Pergola brackets through the blocks.

Trex® Pergola™ products are manufactured and sold by Home & Leisure, Inc., d/b/a/ Structureworks Fabrication under a Trademark License Agreement with Trex Company, Inc. A 25-year Limited Warranty is provided by manufacturer.

### Installing Trex® Spiral Stairs™:

- » Refer to [www.trexspiralstairs.com](http://www.trexspiralstairs.com) for detailed information on how to plan and install Trex Spiral Stairs.

Trex® Spiral Stairs™ are manufactured and sold by M. Cohen and Sons, Inc., d/b/a The Iron Shop, under a Trademark License Agreement with Trex Company, Inc. A 25-year Limited Warranty is provided by manufacturer.

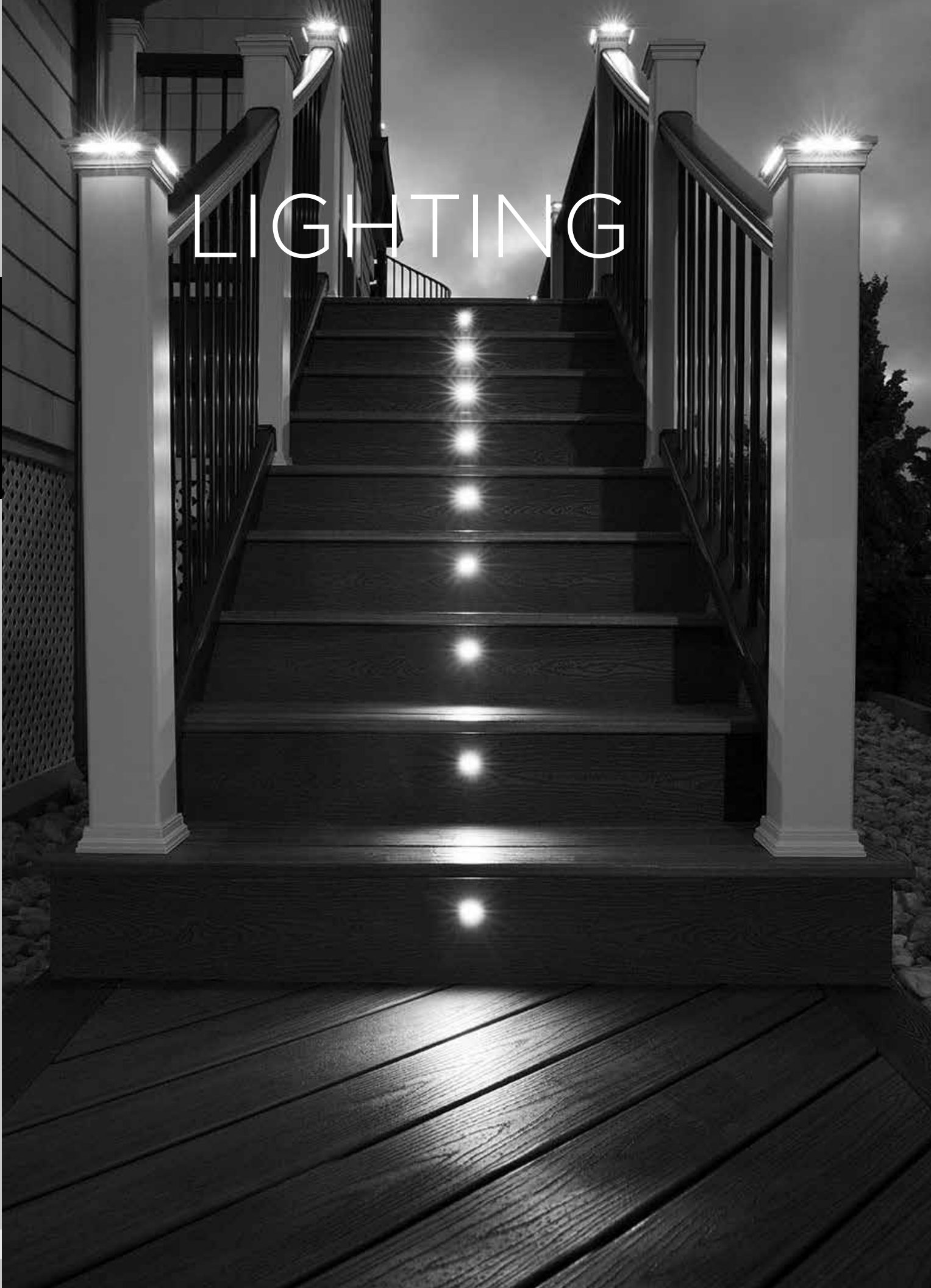
### Installing Trex® Outdoor Kitchens Cabinetry and Storage™:

- » Refer to [www.trexoutdoorstorage.com](http://www.trexoutdoorstorage.com) for detailed information on how to install Trex Outdoor Kitchens and Cabinetry Storage products.

Trex® Outdoor Kitchens Cabinetry and Storage™ products are manufactured and sold by NatureKast, LLC., under a Trademark License Agreement with Trex Company, Inc. Warranty is provided by manufacturer.

**NOTE:** You can always reference the Design Tools Section on [www.trex.com](http://www.trex.com) for additional planning ahead aids.

# LIGHTING



## LIGHTING & DESCRIPTION

## ITEM NUMBER

### DECK LIGHTING

#### Pyramid or Flat Post Cap Light

- » 4" x 4" LED Post Cap Light  
*[4.55 in x 4.55 in (115 mm x 115 mm) actual internal dimensions]*

*Use with Trex 4 in Composite Railing Posts*

- » 5.5 ft (1.67 m) Male LightHub® Lead

#### Aluminum Post Cap Light

- » 2.5" x 2.5" LED Aluminum Post Cap Light  
*[2.6 in x 2.6 in (66 mm x 66 mm) actual internal dimensions]*

*Use with Trex 2.5 in Aluminum Railing Posts*

- » 5.5 ft (1.67 m) Male LightHub Lead



#### PYRAMID CAPS

BKPYLEDCAP4X4C  
WTPYLEDCAP4X4C  
FPPYLEDCAP4X4C  
THPYLEDCAP4X4C  
VLPYLEDCAP4X4C  
GPPYLEDCAP4X4C  
RSPYLEDCAP4X4C

#### FLAT CAPS

BKSQLEDCAP4X4C  
WTSQLEDCAP4X4C  
FPSQLEDCAP4X4C  
THSQLEDCAP4X4C  
VLSQLEDCAP4X4C  
GPSQLEDCAP4X4C  
RSSQLEDCAP4X4C

TEXTURED CHARCOAL BLACK: BKALCAPLED25

TEXTURED BRONZE: BZALCAPLED25  
TEXTURED WHITE: WTALCAPLED25

#### Deck Rail Light

- » LED Deck Rail Light  
*[2.75 in (69 mm) OD]*

- » 5.5 ft (1.67 m) Male LightHub Lead



TEXTURED CHARCOAL BLACK: BKALAPLED

TEXTURED BRONZE: BZLAMPLED

TEXTURED CLASSIC WHITE: WTLAMPLED

#### Wedge Deck Rail Light

- » LED Wedge Deck Rail Light  
*[1.875 in wide x 3 in high (47 mm x 76 mm) actual dimensions]*

*Compatible with all Trex Railing Posts*

- » 5.5 ft (1.67 m) Male LightHub Lead



TEXTURED CHARCOAL BLACK: BKALPOSTLAMPLED

TEXTURED BRONZE: BZALPOSTLAMPLED

TEXTURED CLASSIC WHITE: WTALPOSTLAMPLED

#### LED Riser Lights

- » 4 LED Riser Lights  
*[1.25 in (31 mm) OD]*

- » 5.5 ft (1.67 m) Male LightHub Lead



TEXTURED CHARCOAL BLACK: BKRISERLED4PKC

TEXTURED BRONZE: BZRISERLED4PKC

TEXTURED CLASSIC WHITE: WTRISERLED4PKC

#### Recessed Deck Lights

- » 4 LED Recessed Lights  
*[1 in (25 mm) OD]*

- » 5.5 ft (1.67 m) Male LightHub Lead



RECESSLED4PKC

### ACCESSORIES

#### Transformer with Timer

- » Output Voltage: 12VDC
- » Output Power: 100W or 30W
- » Output Current: 8.3A or 2.5A
- » Photo-Activated Timer
- » 20 ft (6.09 m) LightHub Wire Extension Cable



8.3A, 100W: DIMMABLE 83DLTRANSFORMERCC

2.5A, 30W: 25DLTRANSFORMER

#### Multi-zone Transformer Adapter



DL5TF5PLITIPK

#### Motion Controller And Dimmer

- » 1 Remote
- » 1 Motion Sensor
- » 2 AAA Batteries
- » 2 Screws
- » 5 ft. Male/Male Wire Extension Cable



BKDLMOTION

WTDLMOTION

#### Dimmer

- » Single Channel with Remote



DLDIMMER

#### 1 in (25 mm) Forstner Bit—Pack of 6



DLBIT6PK

#### LightHub Accessories

- » 3-Way Splitter
- » 6-Way Splitter
- » 5 ft (1.52 m) Wire Extension Cable
- » 10 ft (3.04 m) Wire Extension Cable
- » 20 ft (6.09 m) Wire Extension Cable
- » 40 ft (12.19 m) Wire Extension Cable
- » 60 ft (18.28 m) Wire Extension Cable
- » Female to Female Adapter



DL3SPLIT6PK

DL6SPLIT4PK

DL5FTWR4PK

DL10FTWR4PK

DL20FTWR4PK

DL40FTWR2PK

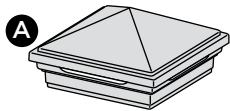
DL60FTWR1PK

DLFADAP6PK

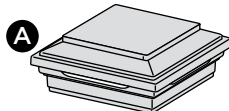


# HOW TO INSTALL TREX DECKLIGHTING

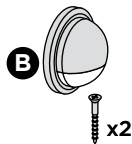
## PARTS



Pyramid Post Cap Light



Flat Post Cap Light



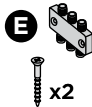
Deck Rail Light



Riser Light



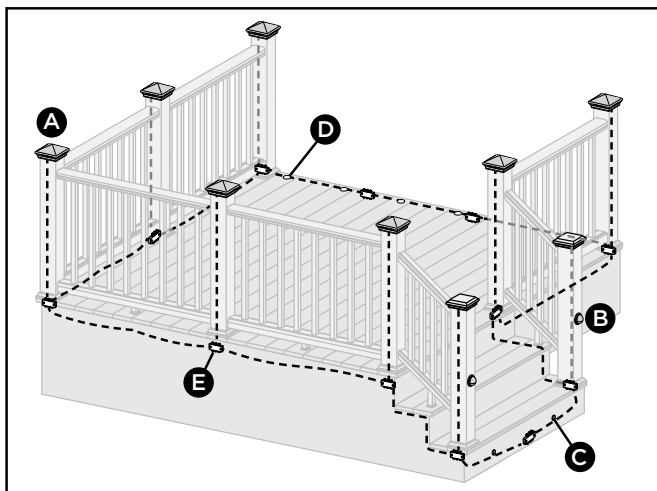
Recessed Deck Light



Splitter

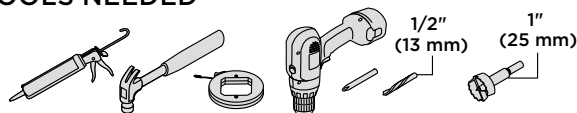
- » 5ft, 10ft, 20ft, 40ft, and 60ft connection/extension wires sold separately (these are male-to-male connection wires).

## Lighting and Wiring Overview



**NOTE:** All wiring and splitters are mounted to the inside of framing. Picture above is a general representation of where to place them.

## TOOLS NEEDED



## WARNING:

- » DO NOT INSTALL DECKLIGHTING IN CLOSE PROXIMITY TO POOLS OR HOT TUBS AS CHEMICALS FROM THE WATER CAN DAMAGE LIGHTING FIXTURES.
- » DO NOT INSTALL WIRING UNDER HEAVY WEIGHT OR LOAD AS THIS CAN DAMAGE WIRING.

**NOTE:** Avoid railing brackets and locations for deck rail lights when running wires up posts.

**NOTE:** It is recommended to install wiring and splitters before decking and railing have been installed. **DO NOT** run wires between joists and deck boards.

## HELPFUL TIPS

- » Please note that Trex lighting operates on DC power. **NEVER** mix AC and DC fixtures on the same circuit. Doing so will result in extremely premature fixture failure and is not covered by the Trex limited warranty. **You must use a Trex transformer on all Trex lighting installations.**
- » **Never fully drive staples when securing wire. Wire should move under staple.**
- » **ALWAYS** protect any wire that is close to the ground with conduit or wire loom to prevent rodent damage.
- » Cap all unused female connections with caps provided or weather-resistant silicone to prevent water damage or corrosion.
- » Each dimmer operates on a separate remote.
- » It is recommended to have power source installed and turned on when installing lights to ensure all components work.
- » When installing wiring, avoid extreme angles, pressure, or tension on the wiring, as this can cause pinching of the wiring and create a lighting failure.



**NOTE:** Construction methods are always improving. Please refer to [www.trex.com](http://www.trex.com) for the most up-to-date installation requirements.

# HOW TO INSTALL TREX DECKLIGHTING/CONTINUED

## General Information

- » Refer to [www.trex.com](http://www.trex.com) for instructional videos on how to install Trex DeckLighting.
- » **USE TREX TRANSFORMER ONLY.** Use of any other transformer voids warranty.

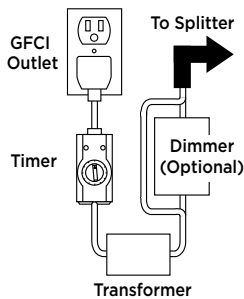
| TRANSFORMER CAPACITY BY TYPE |                                      |                                       |
|------------------------------|--------------------------------------|---------------------------------------|
| Type of Light                | 8.3A Transformer (83 DL TRANSFORMER) | 2.5A Transformer (2.5 DL TRANSFORMER) |
| Riser                        | 285                                  | 90                                    |
| Recessed                     | 285                                  | 90                                    |
| Post Cap                     | 85                                   | 22                                    |
| Deck Rail                    | 285                                  | 90                                    |

Above listing is for maximum number of each individual types of lights. If mixing and matching lighting, contact Trex to determine if more than one transformer is required.

## Planning

**NOTE:** When designing your deck, plan locations of lights, power supply, timer, and dimmer. These should be accessible for service. Installing a GFCI outlet is **REQUIRED** to help prevent damage to lighting from electrical surges.

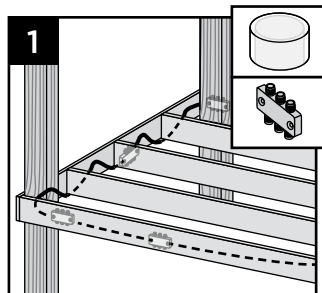
1. The dimmer remote will work in a 30' (9 m) radius of the unit.
2. Dimmer should be installed in a dry location.
3. Timer must be installed vertically with receptacle facing downwards. Timer must be at least 1' (.305 m) from ground level when installed as per federal safety code height regulations. Timer must be in view of the sun to use the dusk/dawn feature.



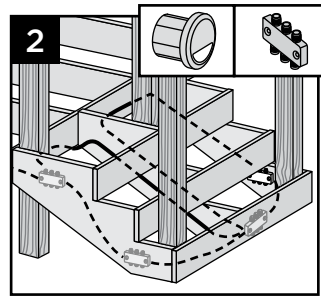
## Installing Wiring

### NOTES:

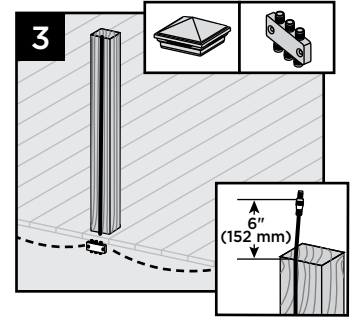
- » It is recommended to install wiring and splitters before decking and railing have been installed.
- » Use male-to-male connection wire (lengths vary) that will connect to each required splitter.



1. Wiring must be run under decking structure and behind stringers. **DO NOT** run wires between deck boards and joists. Staple to frame with cable staples at least 1/4" (6 mm) wide. **DO NOT** crush wire insulation with staples.



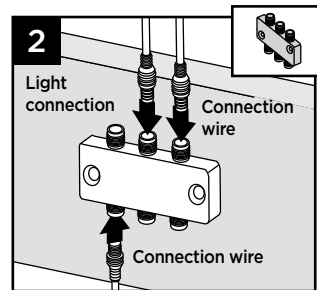
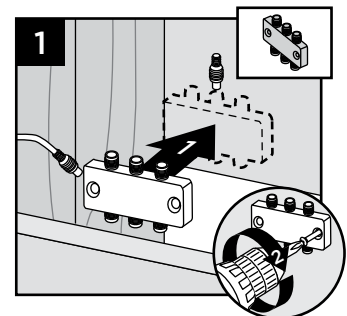
2. Wiring can be run under deck and behind risers. Staple to frame with cable staples at least 1/4" (6 mm) wide. **DO NOT** crush wire insulation with staples.



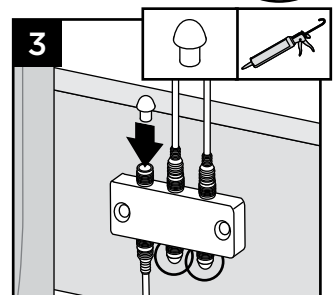
3. Remove 5' (1.52 m) lead wire that is connected to post cap and attach wire to post with male connection at top of post (female connection would be at bottom of post and connect into splitter). Avoid running wire on side of post where railing brackets or deck rail lights will be installed. Leave approximately 6" (152 mm) of lead at top to make connections. Staple to frame and posts with cable staples at least 1/4" (6 mm) wide. **DO NOT** crush wire insulation with staples.

## Making Connections

1. Install splitters inside of framing using hardware provided. Install at every post base where lighting is present and depending on spacing in between each riser and recessed light.



2. Attach male lead from lights to female connections on splitter. Also attach male-to-male connection wires in between each splitter. Continue until all wiring from lights are attached to splitters and connector wires are attached in between splitters.
3. Cap off all unused female connections on splitters using caps provided or weather-resistant silicone.



# HOW TO INSTALL TREX DECKLIGHTING/CONTINUED

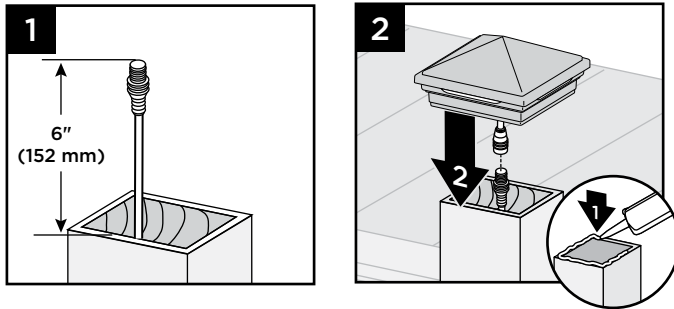
## Timer Operation Instructions

1. Select the mode of operation:
  - » Dusk to Dawn
  - » 2-8 hours
  - » Always "ON"
  - » "OFF"

Program repeats daily. When power is flowing to lights, green light above POWER is on.

## Installing Post Cap Lights

**NOTE:** Install post cap lights after the railing system, post sleeve skirt, and post sleeve have been installed.

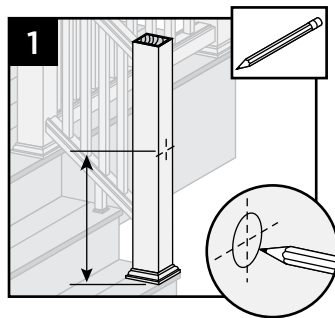


1. Connect male lead from wiring to female connector from cap. Also attach male-to-male connection wires in between each splitter. Continue until all wiring from lights is attached to splitters and connector wires are attached in between splitters. (See Making Connections section for details.)
2. After verifying wiring is correct by turning lights on, attach cap to top of post with silicone caulk.

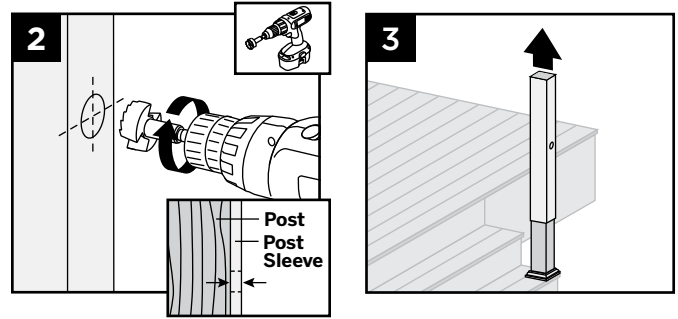
## Installing Deck Rail Lights

**NOTE:** Instructions shown below are for new deck installation and are shown **BEFORE** railing system has been installed.

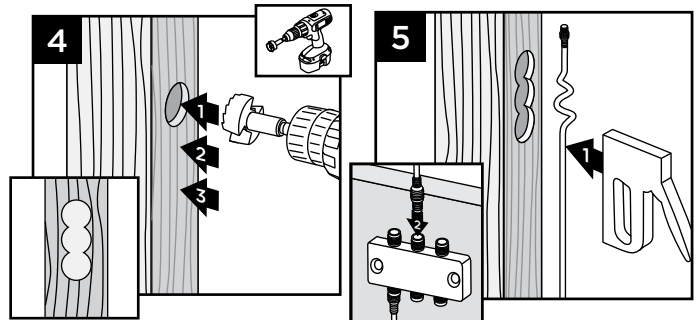
1. Place post sleeve over pressure-treated post and mark desired height, centered on post sleeve for deck rail light location.



**NOTE:** If deck boards are not installed yet, place a deck board on framing to ensure post sleeve is at correct height.

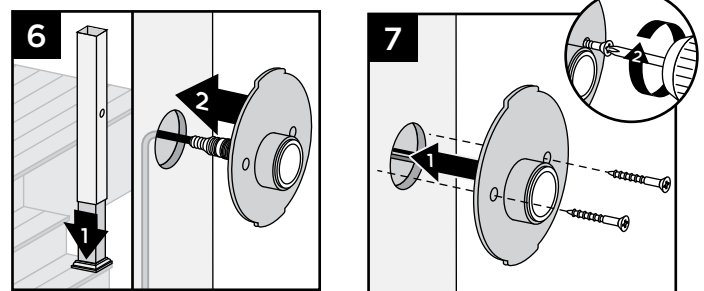


2. Drill a 1" (25 mm) hole through post sleeve. Drill deep enough to mark location on pressure-treated post.
3. Remove the post sleeve from the post.



4. Drill out existing hole on pressure-treated post 3/4" (19 mm) deep. Drill two additional holes vertically below main hole—this will allow space for wiring after post sleeve is attached.
5. Leave enough slack at top of lead wire and attach lead wire to post using staples. Attach lead wire to splitter under decking.

**TIP:** To hold lead wire in place at drilled-out location, use painters tape.

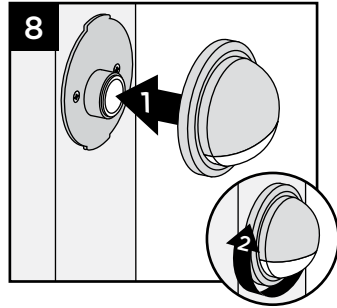


6. Slide post sleeve back over post. If using a post sleeve skirt, make sure to install the skirt first. Connect plug on deck rail light to lead wire and tuck wiring into previously drilled-out pockets on post.
7. Align holes for screws horizontally and attach fixture base to post with provided screws.



## HOW TO INSTALL TREX DECKLIGHTING/CONTINUED

8. Line up polycarbonate lens with fixture housing. Twist onto fixture base. Continue until all wiring from lights is attached to splitters and connector wires are attached in between splitters. (See *Making Connections* section for details.)

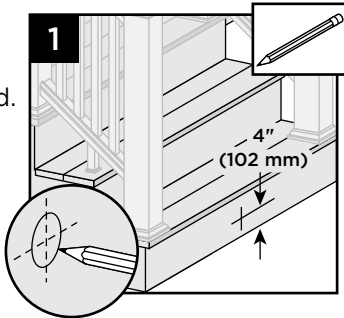


**NOTE:** If railing has already been installed, lead wires will need to be fished through the post sleeve to reach the desired location for the deck rail light. In some cases, if the provided lead wire does not fit (due to connector size), the wire connectors can be cut off and wire nuts can be used. Test lights with the power on. If lights that are wired with this method do not function, then switch the connector wires.

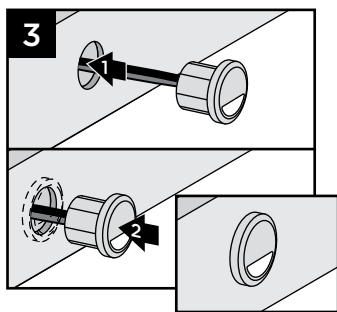
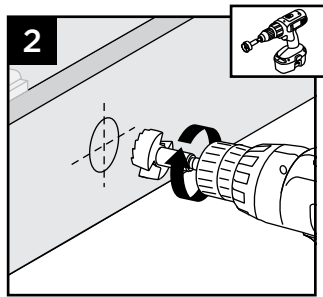
### Installing Riser Lights

**NOTE:** Install riser lights after stairs and risers have been installed.

1. Mark locations for each light, generally 4" (102 mm) above tread. Consult local codes for lighting requirements.



**NOTE:** If possible, avoid locations over stringers as holes will be more difficult to create.



2. Drill a 1" (25 mm) diameter hole at least 1" (25 mm) deep into riser. If riser material is thicker than 1" (25 mm), use a 1/2" (13 mm) drill bit to create a passage for wires.
3. Thread wires through hole. Press light into hole, ensuring lens is horizontal. Make connections behind stairs from male lead wire from recessed light into female connection on splitter. Also attach male-to-male connection wires in between each splitter.

Continue until all wiring from lights is attached to splitters and connector wires are attached in between splitters. (See *Making Connections* section for details.)

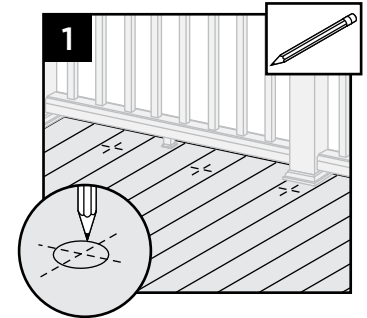
**NOTE:** DO NOT install riser light or deck rail light into top or bottom rails or balusters.

### Installing Recessed Deck Lights

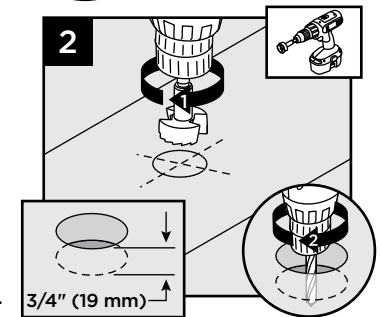
**NOTE:** Install recessed deck lights after installing decking.

1. Mark locations for lights in deck boards.

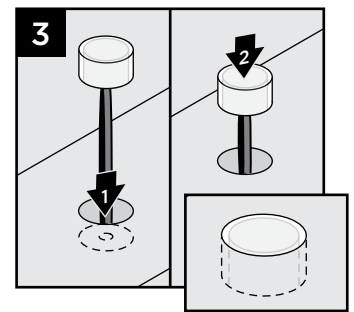
**NOTE:** If possible, avoid locations over joists as holes will be more difficult to create.



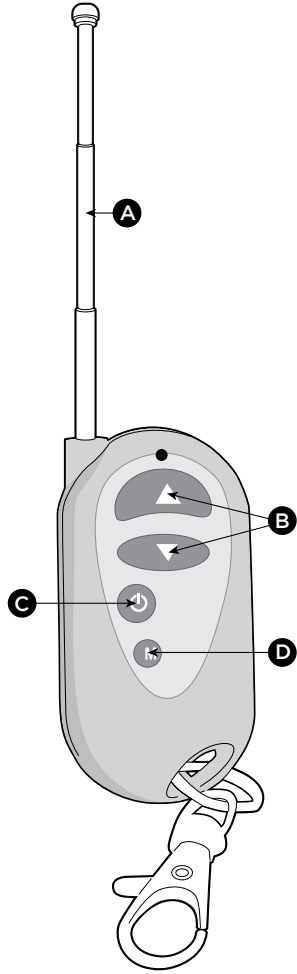
2. Drill a 1" (25 mm) diameter hole 3/4" (19 mm) deep into deck board. Hole cannot go all the way through deckboard or light will fall through. Make sure drill bit is perpendicular to board. Drill a 1/2" (13 mm) diameter hole in base of the first hole through deck board.



3. Thread wires through hole. **DO NOT pull LED into hole by pulling on wires. This may damage wires or LED.** Press light into hole until flush with surface. Make connections under deck from male lead wire from riser light into female connection on splitter. Also attach male-to-male connection wires in between each splitter. Continue until all wiring from lights is attached to splitters and connector wires are attached in between splitters. (See *Making Connections* section for details.)



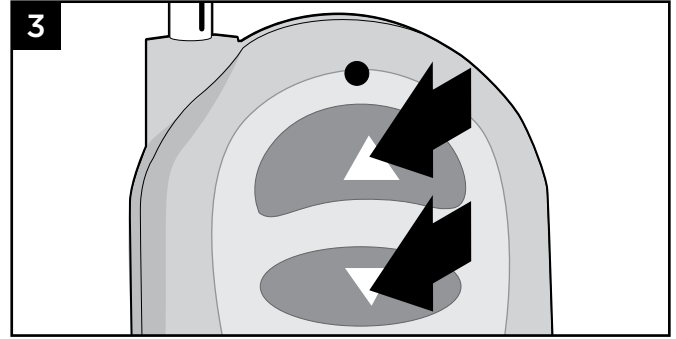
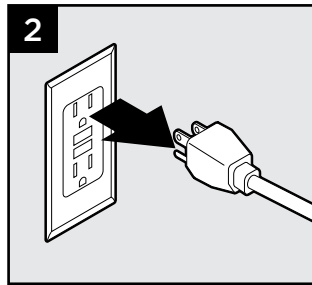
## HOW TO PROGRAM DIMMER REMOTE



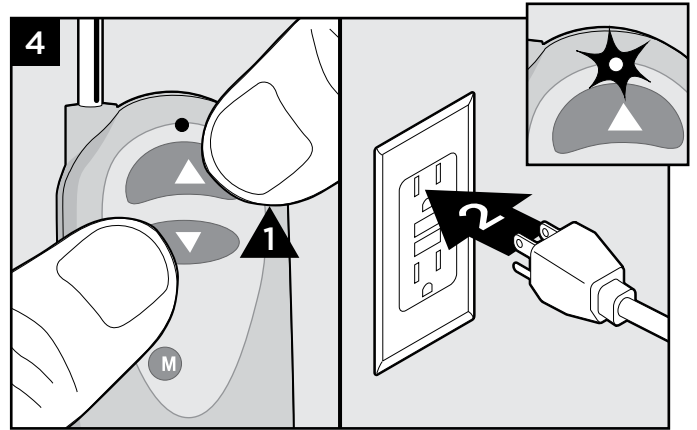
- A. **ALWAYS** keep antenna fully extended for maximum range.
- B. Up/Down arrows gradually dim or brighten lighting.
- C. On/Off button cycles lights ON/OFF.
- D. Mode button cycles through 3 preset dimming levels: High, Medium, Low, and Off.

**NOTE:** First, make sure the red light is illuminated on the remote. If there is no red light and the product is new, contact 1-800 BUY-TREX for a replacement. If the product is not new, the A27 battery is replaceable.

1. Install dimmer per instructions and make sure lights are ON and working properly.
2. Unplug the transformer to turn lights OFF.



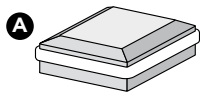
3. Press and hold both the up and down arrow on the dimmer remote simultaneously.



4. With the dimmer arrow buttons held down, plug the transformer back in. The lights should blink once to confirm programming.
5. Release the up and down arrows on the remote and test remote to confirm proper operation.

## HOW TO INSTALL TREX® SIGNATURE™ CAP LIGHT (CAN ONLY BE USED ON TREX® SIGNATURE™ POSTS)

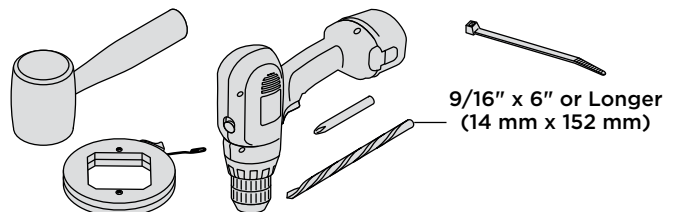
### PARTS



**A**  
Post Cap Light  
(includes 5ft male-to-male wire)

- » 5ft, 10ft, 20ft, 40ft, and 60ft connection/extension wires sold separately (these are male-to-male connection wires).

### TOOLS NEEDED



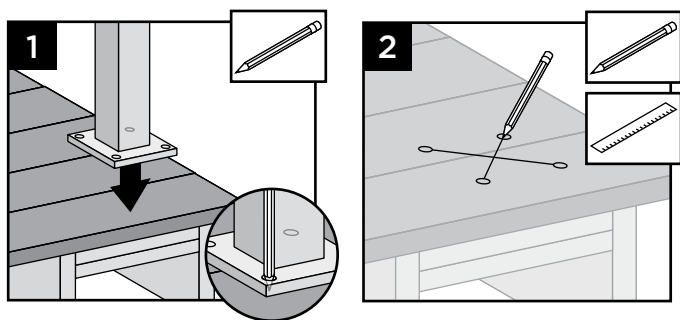
# HOW TO INSTALL TREX® SIGNATURE™ CAP LIGHT/CONTINUED (CAN ONLY BE USED ON TREX® SIGNATURE™ POSTS)

## HELPFUL TIPS

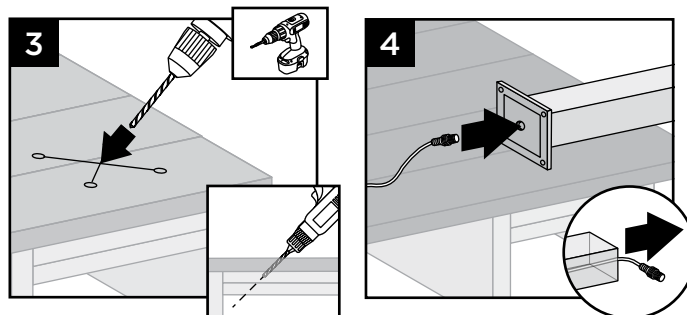
- » Leave slack in wire to make fixture terminations.
- » Post lamps work well at changes in levels of a deck—at the top or the bottom of the stairs, or in conjunction with post cap lights.
- » Splitters should be used at each post that has lights and depending on spacing in between each riser and recessed light.
- » Cap all unused female connections with caps provided or weather-resistant silicone to prevent water damage or corrosion.
- » The splitter is cross-linked so there is no specified plug for lights versus lead wires.
- » Leads attached to each light are approx. 5.5' (1.67 m) in length and have male terminals to plug into splitter.
- » Use a separate dimmer control for each light type for maximum control.
- » It is recommended to have power source on when installing lights to ensure all components work.

## Installing Post Cap Lights

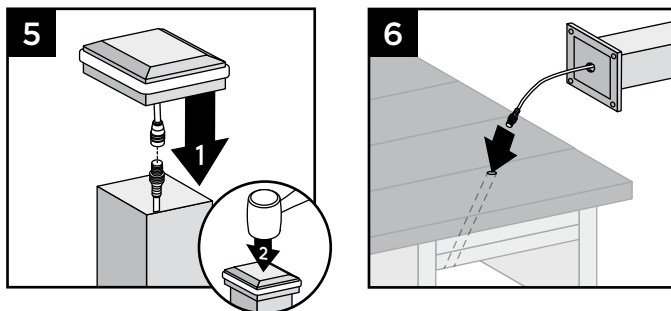
**NOTE:** Instructions shown below are for new deck installation and are shown **BEFORE** railing system has been installed.



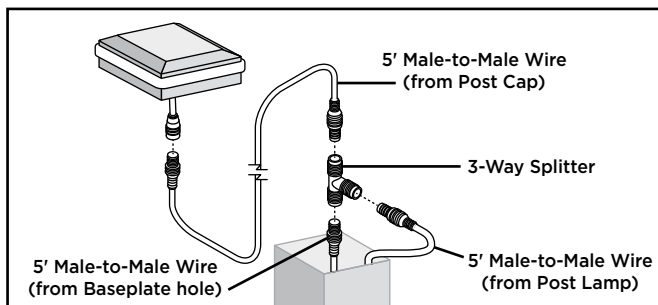
1. Before attaching post to deck, locate placement of post and mark desired bolt locations.
2. Using a straight edge, mark an "X" between the four bolt locations.



3. Using a 9/16" (14 mm) x 6" (152 mm [or longer]) drill bit, drill a diagonal hole through the decking and blocking. Ensure that the angle will allow wire to not be pinched by support plate under blocking (if using Trex ALPOSTHWDECK mounting kit). (See *Making Connections* section for details.)
4. Turn post upside down and fish 5' male-to-male wire (provided) through hole in baseplate.



5. Connect the female connector on the post cap light to this wire and, using a rubber mallet, gently tap the cap onto top of post until it is secure.
6. Turn post over and carefully fish wire through hole created in Step 3 to underside of the deck. Ensure exit point of wire under blocking will not be pinched by ALPOSTHWDECK plate.
7. Mount post per instructions.

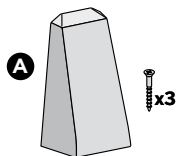


**NOTE:** If connecting a Trex Wedge Deck Rail Light as well, a 3-way adapter and extra 5' male-to-male wire (not provided) can be used inside the post so that only one wire must be run through the hole in the base of the post (and post blocking). This is optional.



# HOW TO INSTALL TREX WEDGE DECK RAIL LIGHT (CAN ONLY BE USED ON TREX® SIGNATURE™ POSTS)

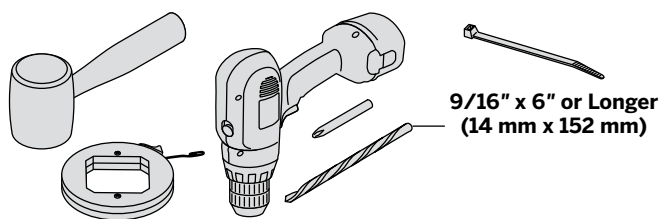
## PARTS



**Wedge Deck Rail Light**  
(includes 5ft male-to-male wire)

- » 5ft, 10ft, 20ft, 40ft, and 60ft connection/extension wires sold separately (these are male-to-male connection wires).

## TOOLS NEEDED



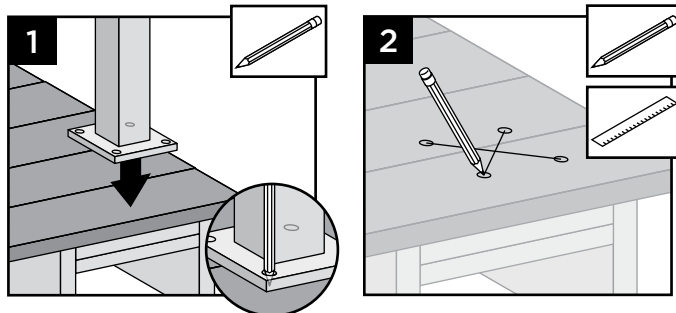
**9/16" x 6" or Longer**  
(14 mm x 152 mm)

## HELPFUL TIPS

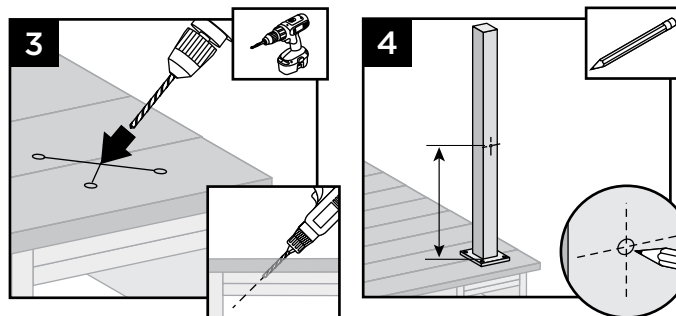
- » Leave slack in wire to make fixture terminations.
- » Deck rail lights work well at changes in levels of a deck—at the top or the bottom of the stairs, or in conjunction with post cap lights.
- » Splitters should be used at each post that has lights and depending on spacing in between each riser and recessed light.
- » Cap all unused female connections with caps provided or weather-resistant silicone to prevent water damage or corrosion.
- » The splitter is cross-linked so there is no specified plug for lights versus lead wires.
- » Leads attached to each light are approx. 5.5' (1.67 m) in length and have male terminals to plug into splitter.
- » Use a separate dimmer control for each light type for maximum control.
- » It is recommended to have power source on when installing lights to ensure all components work.

## Installing Post Lamps

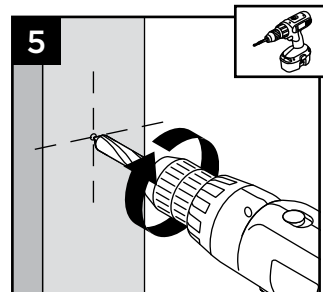
**NOTE:** Instructions shown below are for new deck installation and are shown BEFORE railing system has been installed.



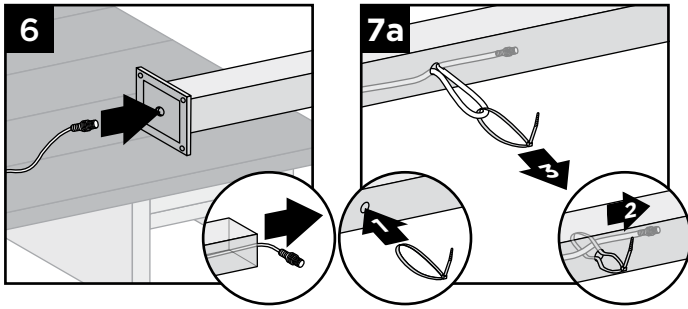
1. Before attaching post to deck, locate placement of post and mark desired bolt locations.
2. Using a straight edge, mark an "X" between the four bolt locations.



3. Using a 9/16" (14 mm) x 6" (152 mm [or longer]) drill bit, drill a diagonal hole through the decking and blocking. Ensure that the angle will allow wire to not be pinched by support plate under blocking (if using Trex ALPOSTHWDECK mounting kit).
4. Locate placement of post lamp. Mark entry point of the wire.
5. Drill 9/16" (14 mm) hole where wire will enter post.



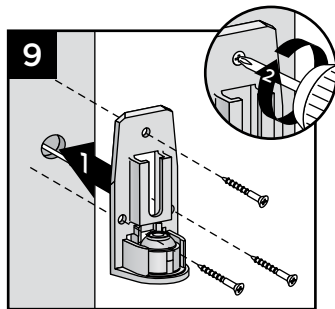
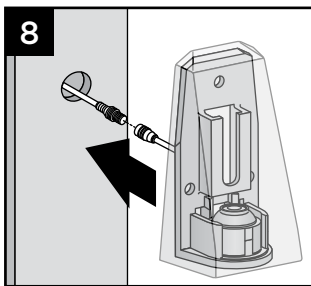
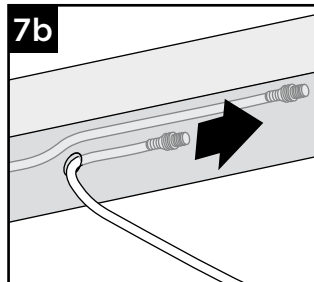
# HOW TO INSTALL TREX WEDGE DECK RAIL LIGHT (CAN ONLY BE USED ON TREX® SIGNATURE™ POSTS)



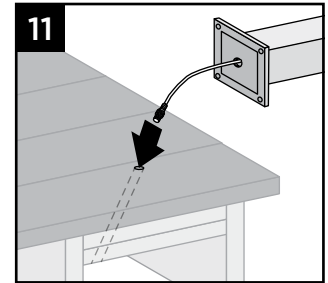
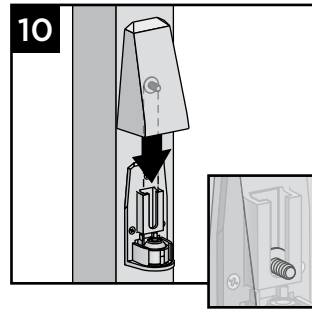
6. Turn post upside down and fish 5' male-to-male wire (provided) through hole in baseplate.
- 7a. If connecting a Wedge Deck Rail Light only, pull wire through hole.

**TIP:** Insert a zip-tie loop (or small grabber tool) through 9/16" (14 mm) hole. Fish wire through loop in zip-tie. Pull wire through hole with zip-tie.

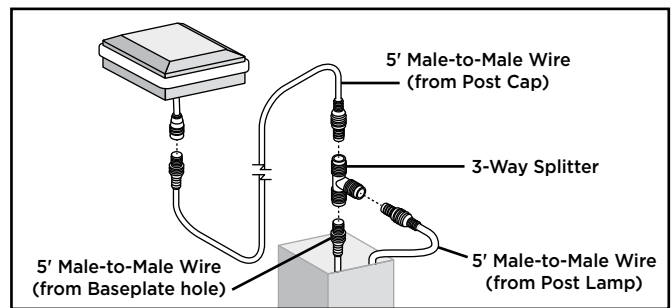
- 7b. If connecting a Trex® Signature™ post cap light as well, and using the 3-way splitter (see note after Step 12), simply run one wire through the hole created in Step 5 to the top of the post.



8. Connect male connector to female connector on light housing.
9. Place light and attach backing plate to post with three screws (provided).



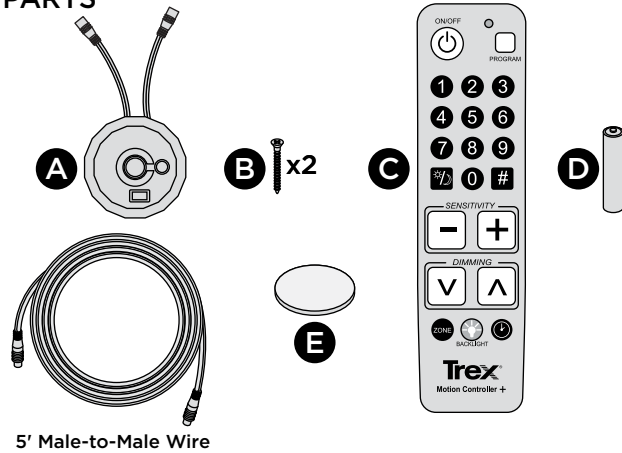
10. Slide light cover down over backing plate, adjusting mounting screws as necessary to achieve a tight fit.
11. Turn post over and carefully fish wire through hole created in Step 3 to underside of the deck. Ensure exit point of wire under blocking will not be pinched by ALPOSTHWDECK plate.
12. Mount post per instructions.



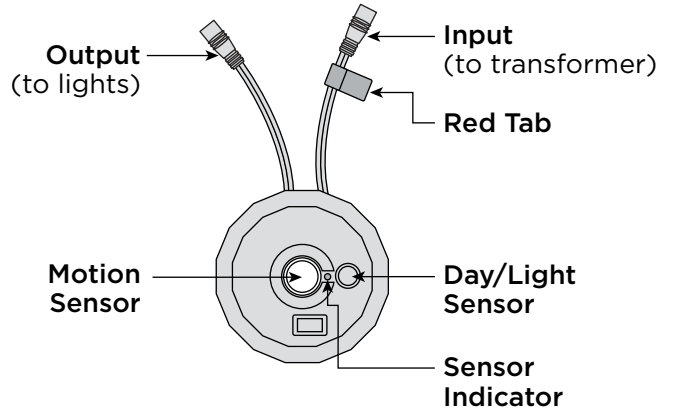
**NOTE:** If connecting a Trex® Signature™ post cap light as well, a 3-way adapter and extra 5' male-to-male wire (not provided) can be used inside the post so that only one wire must be run through the hole in the base of the post (and post blocking). This is optional.

# HOW TO INSTALL TREX® PHOTOCELL MOTION CONTROLLER

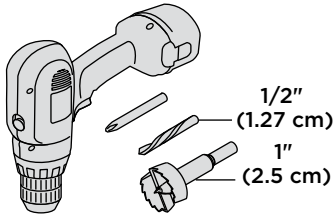
## PARTS



## TREX PHOTOCELL MOTION CONTROLLER SENSOR OVERVIEW



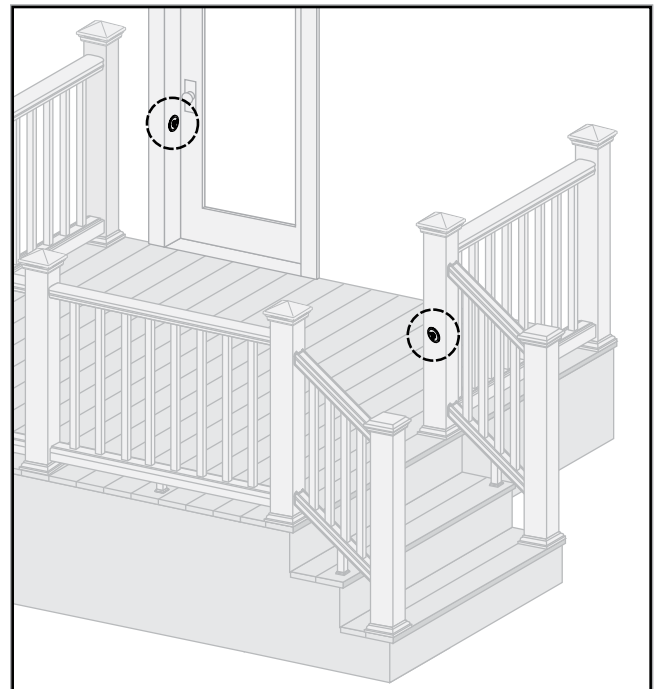
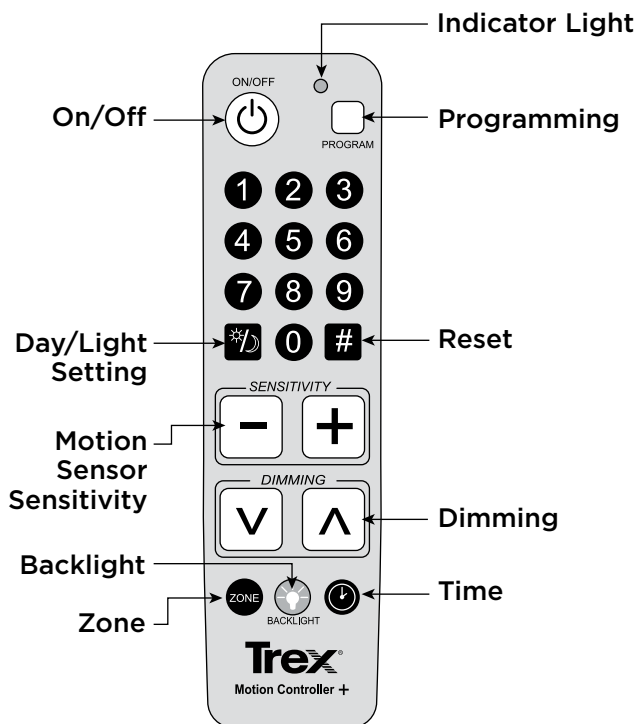
## TOOLS NEEDED



## TREX PHOTOCELL MOTION CONTROLLER SENSOR INSTALLATION LOCATION

Install the Motion Controller in a location that is exposed to some ambient sunlight. If you plan to use the motion sensor capabilities of this unit, place it in a location that allows the center of the unit to face the location of the motion. For example, the door leading onto the deck, or at the bottom or top of stairs are common locations. However, the most important consideration of Motion Controller location is how you will install it into your lighting circuit. See illustrations on next page for some basic examples.

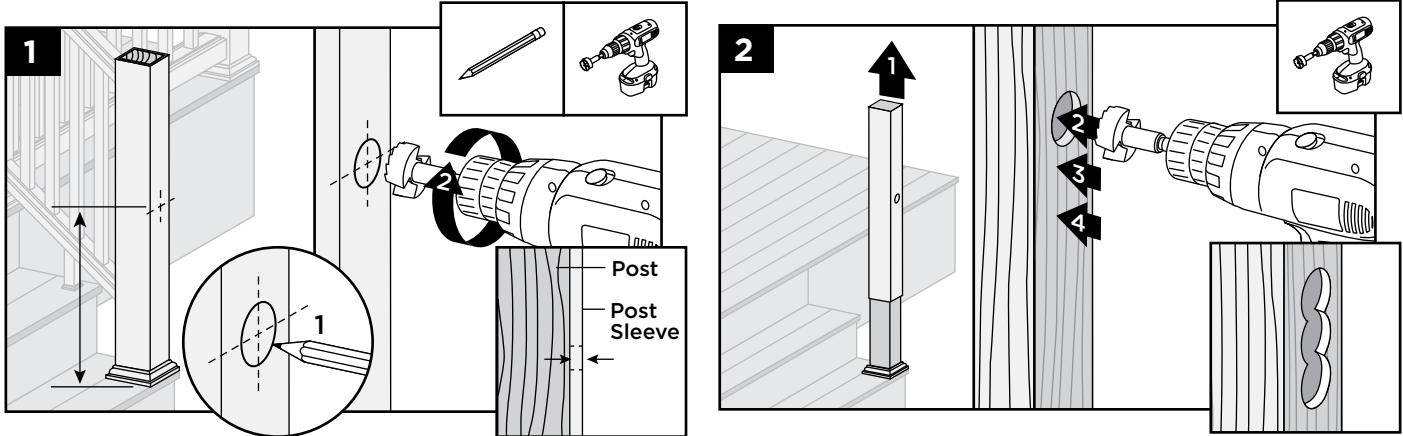
## TREX PHOTOCELL MOTION CONTROLLER OVERVIEW



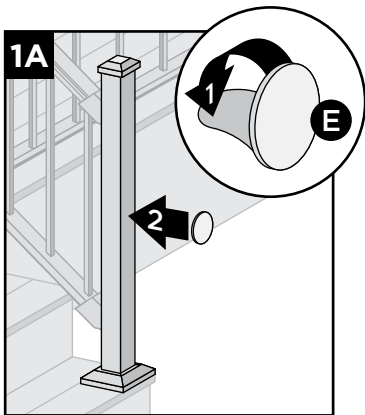


# HOW TO INSTALL TREX® PHOTOCELL MOTION CONTROLLER/CONTINUED

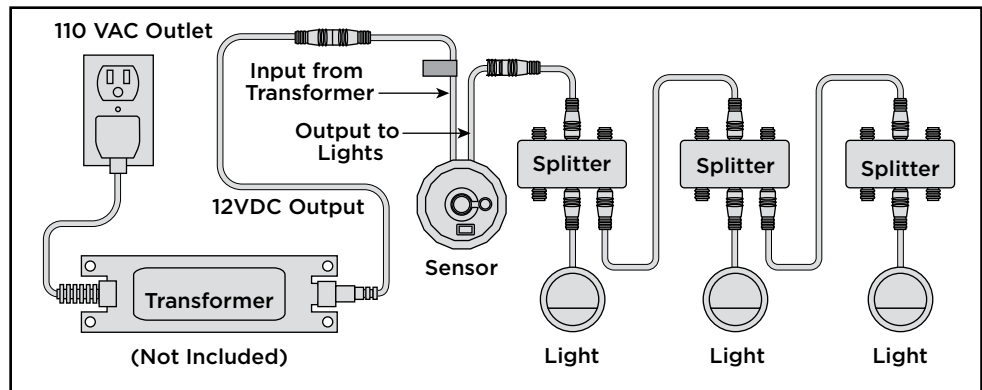
## Making A Post Pocket



## Aluminum Post Install

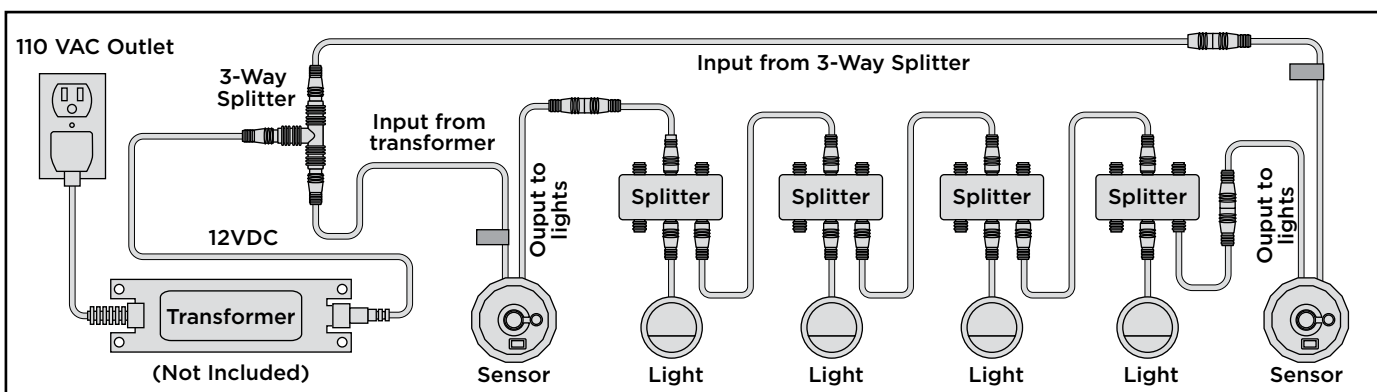


## One Sensor Install



**Note:** Make sure the sensor is installed after the transformer, but before the first light. Any lights that are installed before the sensor will not be controlled.

## Two Sensor Install



To install two sensors, place a motion sensor at each end of the circuit, making sure you connect the wire with the red tab to the transformer side of each circuit.



## HOW TO INSTALL TREX® PHOTOCELL MOTION CONTROLLER/CONTINUED

To install multiple circuits, use the 5-Way Transformer Splitter and (1) additional 20' Transformer wire (available on [shoptrex.com](http://shoptrex.com)) for each circuit you're setting up. Then simply follow the instructions for the one-sensor installation above.

### Multiple Zone Install

To run multiple zones, you simply create multiple one-sensor circuits. For example, we recommend running your recessed lights on one dimmer circuit and your post lamps, post lights and riser lights on another. Once installed, you can program each sensor for the appropriate motion sensitivity and light output for that circuit. Ensure that all sensors are on the same time setting if you want all of the lights to come on/go off at the same time.

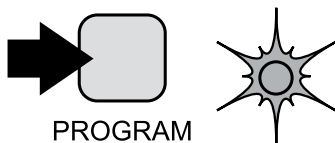
## ADJUSTMENTS

### Motion Sensor

The motion sensor is set to maximum range at the factory. If you want to prevent the motion sensor from controlling the lights, adjust it to the lowest setting.

#### Step 1

Install and mount controller per previous instructions. Plug in lights.



#### Step 2

Press and hold **Program** button on the remote for 4 seconds. The blue light on the motion controller will light up solid.



#### Step 3

Use the +/- buttons to adjust the sensitivity of the motion sensor. There are 9 steps between maximum range and minimum range. The indicator light will blink twice when either limit is reached. The lowest limit will deactivate the motion sensor.

**TIP:** The motion controller senses heat. Therefore, ambient temperatures can affect sensitivity. The cooler the ambient temperature the greater the detection range. **Max Setting = 25 feet at 72°F.**

#### Step 4

Press **Program** button once to save. Press **Program** button again to exit programming mode.

**Tip:** The motion sensor will not activate the lights if the photocell senses daylight.

### Photocell Sensor

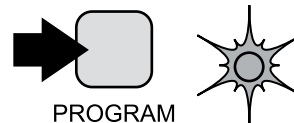
Adjustment of the photocell is usually not necessary. (It is factory pre-set to 3.) However, if you place the receiver in an area that gets very little ambient light, you might need to turn the sensitivity up for it to function properly. Alternatively, if you want to use the receiver as a motion controller-activated device only, you may set the photocell sensitivity to 0. In that setting, the only time your lights will illuminate is when the motion sensor is activated.

#### Step 1

Install and mount controller per instructions above. Plug in lights.

#### Step 2

Press and hold **Program** button on the remote for 4 seconds. The blue light on the receiver will light up solid.



#### Step 3

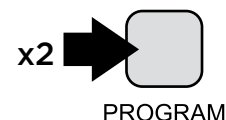
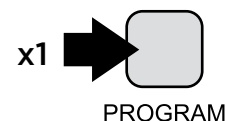
Press the **Day/Light** button on the remote. The receiver will blink once. Enter a number on the keypad **0-9**.



- 1 = Complete darkness required to activate photocell.
- 9 = Photocell operates in full sunlight.
- 0 = Photocell will no longer control lighting system.

#### Step 4

Press **Program** button once to save. Press **Program** button again to exit programming mode.



# HOW TO INSTALL TREX® PHOTOCELL MOTION CONTROLLER/CONTINUED

## ADJUSTMENTS/CONTINUED

### Time Duration

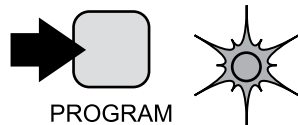
Adjustment of the timer controls how long the lights stay on once activated by the photocell or motion sensor.

#### Step 1

Install and mount controller per instructions above. Plug in lights.

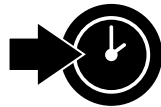
#### Step 2

Press and hold **Program** button on the remote for 4 seconds. The blue light on the receiver will light up solid.



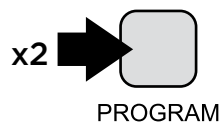
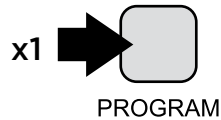
#### Step 3

Press the **Timer** button, then enter the desired number of minutes desired (1-999).



#### Step 4

Press **Program** button once to save. Press **Program** button again to exit programming mode.

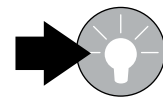


*TIP: When installing multiple motion controllers on the same circuit they both must be set to the same time duration.*

## OTHER BUTTONS/FUNCTIONS/ZONES

### Backlight

Press the **Backlight** button to illuminate the remote in low light conditions.

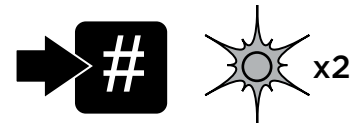


BACKLIGHT

### Hashtag (Reset)

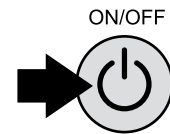
#### Step 1

Press and hold the **hashtag** button for 6+ seconds until the receiver indicator light blinks twice.



#### Step 2

Press the **On/Off** button to turn the system off, then press the **On/Off** button again to complete the factory setting reset process.

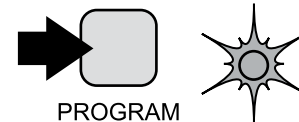


### Zone

Assign/select zones for each receiver.

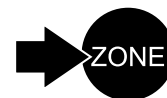
#### Step 1

To assign or change zone press and hold the **Program** button until receiver indicator lights up.



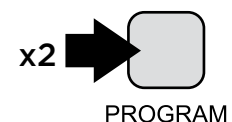
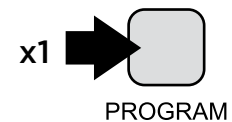
#### Step 2

Press **Zone** button; enter zone number (1-9).



#### Step 3

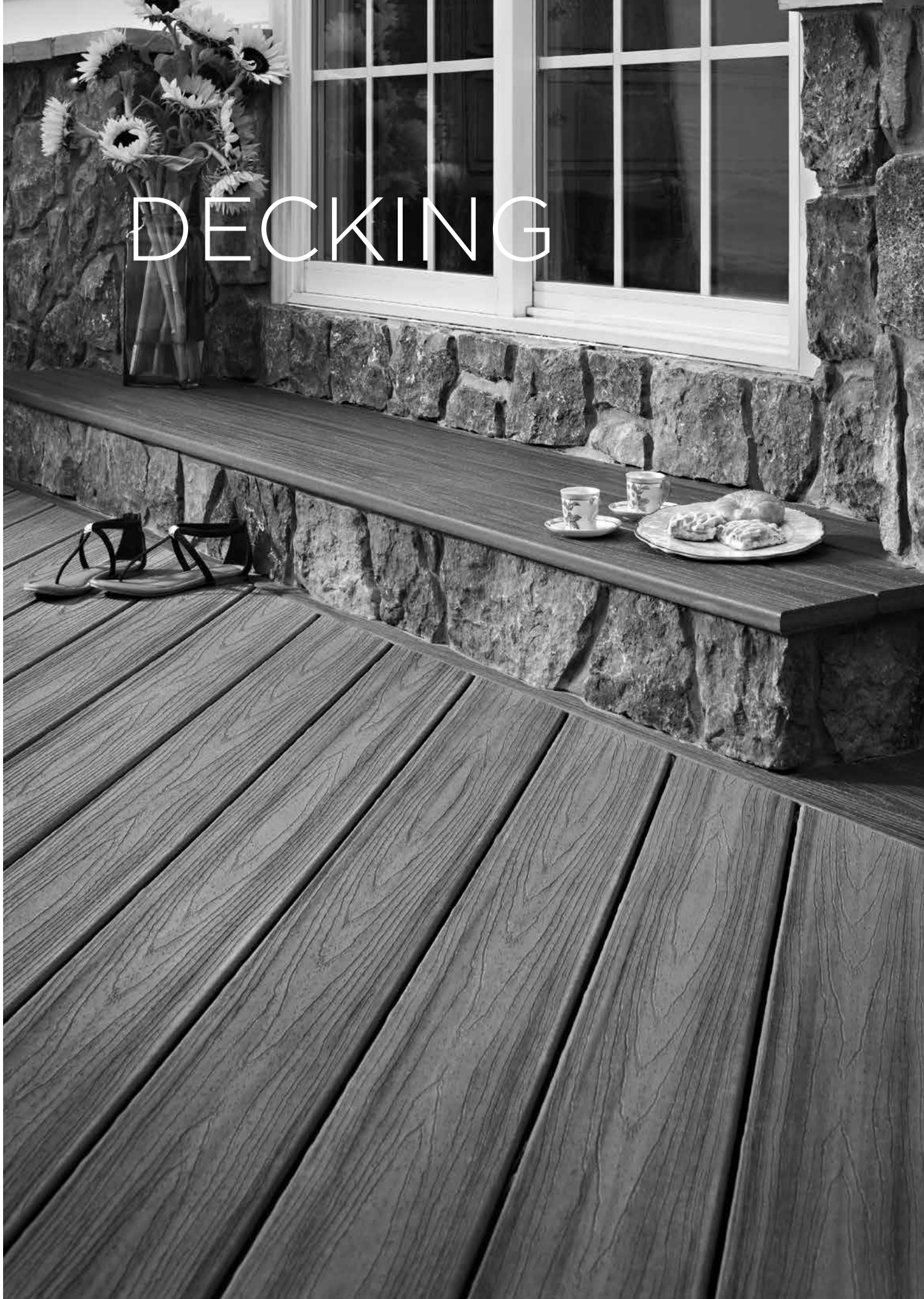
Press **Program** button once to save. Press **Program** again to exit programming.




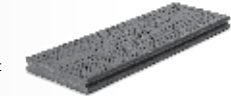
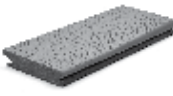
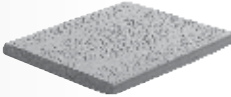
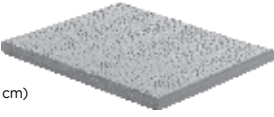



# DECKING






DECKING



# Trex Decking, Porch Flooring & Fascia

| PROFILE   | DESCRIPTION   | ITEM NUMBER   | COLORS  |  |  |  |
|---|---|---|---|--|--|--|
| <b>1" Square-Edge Board</b><br><i>Actual dimensions:</i><br>Transcend & Enhance: .94 in x 5.5 in x 12 ft / 16 ft / 20 ft<br>(24 mm x 140 mm x 365 cm / 487 cm / 609 cm)<br>Select: .82 in x 5.5 in x 12 ft / 16 ft / 20 ft<br>(20 mm x 140 mm x 365 cm / 487 cm / 609 cm) | <br>1 x 6 x 12'<br>1 x 6 x 16'<br>1 x 6 x 20'<br>1 x 6 x 12'<br>1 x 6 x 16'<br>1 x 6 x 20'<br>1 x 6 x 12'<br>1 x 6 x 16'<br>1 x 6 x 20'<br>7/8 x 6 x 12'<br>7/8 x 6 x 16'<br>7/8 x 6 x 20' | Transcend Tropicals<br>Transcend Tropicals<br>Transcend Tropicals<br>Transcend Earth Tones<br>Transcend Earth Tones<br>Transcend Earth Tones<br>Enhance<br>Enhance<br>Enhance<br>Select<br>Select<br>Select   | XX010612TS01<br>XX010616TS01<br>XX010620TS01<br>XX010612T2S01<br>XX010616T2S01<br>XX010620T2S01<br>XX010612E2S01<br>XX010616E2S01<br>XX010620E2S01<br>XX010612SS01<br>XX010616SS01<br>XX010620SS01          | IM, TT, HG, SR, LR<br>GP, RS, TH, VL, FP<br>FW, RH, TS, CB, SC, CS, BD, SD<br>PG, WG, SD, WB, MB   |  |  |
|   | <b>1" Grooved-Edge Board</b><br><i>Actual dimensions:</i><br>Transcend & Enhance: .94 in x 5.5 in x 12 ft / 16 ft / 20 ft<br>(24 mm x 140 mm x 365 cm / 487 cm / 609 cm)<br>Select: .82 in x 5.5 in x 12 ft / 16 ft / 20 ft<br>(20 mm x 140 mm x 365 cm / 487 cm / 609 cm)  | <br>1 x 6 x 12'<br>1 x 6 x 16'<br>1 x 6 x 20'<br>1 x 6 x 12'<br>1 x 6 x 16'<br>1 x 6 x 20'<br>1 x 6 x 12'<br>1 x 6 x 16'<br>1 x 6 x 20'<br>7/8 x 6 x 12'<br>7/8 x 6 x 16'<br>7/8 x 6 x 20' | Transcend Tropicals<br>Transcend Tropicals<br>Transcend Tropicals<br>Transcend Earth Tones<br>Transcend Earth Tones<br>Transcend Earth Tones<br>Enhance<br>Enhance<br>Enhance<br>Select<br>Select<br>Select | XX010612TG01<br>XX010616TG01<br>XX010620TG01<br>XX010612T2G01<br>XX010616T2G01<br>XX010620T2G01<br>XX010612E2G01<br>XX010616E2G01<br>XX010620E2G01<br>XX010612SG01<br>XX010616SG01<br>XX010620SG01 | IM, TT, HG, SR, LR<br>GP, RS, TH, VL, FP<br>FW, RH, TS, CB, SC, CS, BD, SD<br>PG, WG, SD, WB, MB |  |
|   |   | <b>1" Grooved Porch Floor Board</b><br><i>Actual dimensions:</i><br>.94 in x 4.5 in x 12 ft / 16 ft (24 mm x 114 mm x 365 cm / 487 cm)<br>Can also be used for decking applications.  | <br>1 x 4.5 x 12'<br>1 x 4.5 x 16'   | Transcend Porch<br>Transcend Porch   | XX010512TP01<br>XX010516TP01   | SR, GP   |
|   |   | <b>1" x 8" Fascia</b><br><i>Actual dimensions:</i><br>Transcend, Enhance, Select, Universal White:<br>.56 in x 7.25 in x 12 ft (14 mm x 184 mm x 365 cm)  | <br>1 x 8 x 12'<br>1 x 8 x 12'<br>1 x 8 x 12'   | Transcend Tropicals<br>Transcend Earth Tones<br>Enhance  | XX010812TS01<br>XX010812T2S01<br>XX010812E2S01   | IM, TT, HG, SR, LR<br>GP, RS, TH, VL, FP<br>FW, RH, TS, CB, SC, CS, BD, SD<br>PG, WG, SD, WB, MB |
|   |   |   | 1 x 8 x 12'<br>1 x 8 x 12'  | Select<br>Universal White  | XX010812SS01<br>WW010812ES01   | PG, WG, SD, WB, MB<br>WOOD GRAIN WHITE   |
|   |   | <b>1" x 12" Fascia</b><br><i>Actual dimensions:</i><br>Transcend, Enhance, Select, Universal White:<br>.56 in x 11.375 in x 12 ft (14 mm x 288 mm x 365 cm)   | <br>1 x 12 x 12'<br>1 x 12 x 12'<br>1 x 12 x 12'   | Transcend Tropicals<br>Transcend Earth Tones<br>Enhance  | XX011212TS01<br>XX011212T2S01<br>XX011212E2S01   | IM, TT, HG, SR, LR<br>GP, RS, TH, VL, FP<br>FW, RH, TS, CB, SC, CS, BD, SD<br>PG, WG, SD, WB, MB |
|   |   |   | 1 x 12 x 12'<br>1 x 12 x 12'  | Select<br>Universal White  | XX011212SS01<br>WW011212ES01   | PG, WG, SD, WB, MB<br>WOOD GRAIN WHITE   |
| <b>2" Square-Edge Board</b><br><i>Actual dimensions:</i><br>Transcend 2x4: 1.3 in x 3.4 in x 16 ft<br>(33 mm x 86 mm x 487 cm)<br>Transcend & Select 2x6: 1.3 in x 5.5 in x 12 ft / 16 ft / 20 ft<br>(33 mm x 140 mm x 365 cm / 487 cm / 609 cm)                          |   | <br>2 x 4 x 16'<br>2 x 6 x 12'<br>2 x 6 x 16'<br>2 x 6 x 20'<br>2 x 6 x 12'<br>2 x 6 x 16'<br>2 x 6 x 20'  | Transcend Tropicals<br>Transcend Tropicals<br>Transcend Tropicals<br>Transcend Tropicals<br>Select<br>Select<br>Select  | XX020416TS01<br>XX020612TS01<br>XX020616TS01<br>XX020620TS01<br>XX020612SS01<br>XX020616SS01<br>XX020620SS01   | IM, TT, HG, SR, LR<br>IM, TT, HG, SR, LR<br>PG, SD, WB, MB                                       |  |

|                    |                |                |                    |                   |                  |               |
|--------------------|----------------|----------------|--------------------|-------------------|------------------|---------------|
| XX = COLOR PREFIX: | IM Island Mist | LR Lava Rock   | VL Vintage Lantern | SD Saddle         | RH Rocky Harbor  | CS Clam Shell |
|                    | TT Tiki Torch  | GP Gravel Path | FP Fire Pit        | WB Woodland Brown | TS Toasted Sand  | BD Beach Dune |
|                    | HG Havana Gold | RS Rope Swing  | PG Pebble Grey     | MB Madeira        | CB Coastal Bluff | SD Saddle     |
|                    | SR Spiced Rum  | TH Tree House  | WG Winchester Grey | FW Foggy Wharf    | SC Sunset Cove   |               |

| TREX HIDEAWAY HIDDEN FASTENING SYSTEM   | DESCRIPTION   | ITEM NUMBER   |
|---|---|---|
| Connector Clip (stainless steel)        |  | 50 sq. ft (4.6 sq. m) box<br>500 sq. ft (46.5 sq. m) bucket   |
| Gun Pail                                |  | 500 sq. ft (46.5 sq. m) bucket with collated pneumatic screws |
| Universal Starter Clip                  |  | 400 sq. ft (37 sq. m) bag                                     |
| Universal Fastener (glass-filled nylon) |  | 50 sq. ft (4.6 sq. m) box<br>500 sq. ft (46.5 sq. m) bucket   |
| Router Bit                              |  | Router Bit  |

**NOTE: Construction methods are always improving. Please refer to [www.trex.com](http://www.trex.com) for the most up-to-date installation requirements.**

LIGHTING



# DECKING AND FASCIA RECOMMENDED FASTENERS

If any condition occurs which is attributable to the use of non-recommended fasteners, such condition shall not be covered under the Trex Limited Warranty.

|  |  | Transcend® | Enhance (solid profile) | Enhance (scalloped profile) | Select |
|--|--|------------|-------------------------|-----------------------------|--------|
| RECOMMENDED FASTENERS  | <b>DECKING-HIDDEN FASTENERS</b>  |            |                         |                             |        |
|  | Trex Hideaway® Universal Hidden Fastener   | X          | X                       | X                           | X      |
|  | Trex Hideaway® Connector Clip  | X          | X                       | X                           |        |
|  | TigerClaw® TC-G Hidden Fastener  |            |                         |                             | X      |
|  | Cortex® Concealed Fasteners**  | X          | X                       |                             | X      |
|  | Starborn® Pro Plug® System for PVC & Composite (Epoxy Coated & Stainless) (2" are approved for sleeper & roof top applications only)                               | X          | X                       |                             | X      |
|  | Simpson Strong-Tie® Deck Drive™ DCU Composite Screw & DCU Screw Plugs (Handdrive only & must also use Auto-Set Drive Bit)  | X          | X                       |                             | X      |
|  | <b>DECKING-COMPOSITE SCREWS</b>  |            |                         |                             |        |
|  | FastenMaster® TrapEase 3 Ultimate Composite Deck Screw   | X          | X                       | X                           | X      |
|  | Simpson Strong-Tie® Deck-Drive™ DCU Composite Screw (Collated & Handdrive)   | X          | X                       | X                           | X      |
|  | Quik Drive® Composi-Lok Deck Screw   | X          | X                       | X                           | X      |
|  | SplitStop™ Titan III Composite Screw   | X          | X                       | X                           | X      |
|  | Starborn® Cap-Tor® xd Epoxy Coated & Headcote® Stainless (available collated for Muro CH7390 Driver***) (2" are approved for sleeper & roof top applications only) | X          | X                       | X                           | X      |
|  | Screw Products C-Deck Exterior Star Drive Composite Deck Screw   | X          | X                       | X                           | X      |
|  | Phillips II Plus® Pozisquare   | X          | X                       | X                           | X      |
| Muro® T-Screw Torx Stainless Steel Screw - Collated (TX0212SFD or M-TX0300SEP) | X  | X          | X                       | X                           |        |
| Kameleon™ GRKFasteners™  |  |            |                         | X                           |        |

|                       |   | Transcend | Enhance | Select |
|-----------------------|---|-----------|---------|--------|
| RECOMMENDED FASTENERS | <b>FASCIA*</b>  |           |         |        |
|                       | Cortex® Hidden Fastening System for Fascia                              | X         | X       | X      |
|                       | Starborn® Pro Plug® System for Fascia - Epoxy Coated & Stainless        | X         | X       | X      |
|                       | Starborn® Deckfast® Fascia System - Epoxy Coated* & Headcote® Stainless | X         | X       | X      |
|                       | SplitStop™ Fascia Screw   | X         | X       | X      |
|                       | Simpson Strong-Tie® Fascia Board Screw                                  | X         | X       | X      |

## NOTES:

- » **!!DO NOT USE ANY HIDDEN FASTENERS THAT ARE PLUG BASED WITH TREX ENHANCE PROFILES WITH SCALLOPED BOTTOM.**
- » 2-3/4" or 3" screws can be used with Trex 2x6 product.
- » Muro T-Screw M-TX0300SEP listed above is approved for 2x6 decking (can also be used with standard 1" (decking as listed above). This screw is collated and can be used with Muro Auto Feed Screw Gun FDVL41 Speed Driver. (NOTE: THIS IS NOT A COLOR-MATCH SCREW.)
- » All decking products are approved for use with Trex Hideaway Hidden Fasteners, thus all decking products can be routed according to our instructions.
- » Simpson Strong-Tie Deck Drive DCU Composite Screw in collated versions works with Quik Drive gun.
- » \* Fascia system screws listed above **can only be used with composite fascia profiles**, and cannot be used with standard thickness decking boards used as fascia. Use stainless steel screws near water applications.
- » \*\* Not for use with sleeper systems. Refer to FastenMaster® literature for more information.
- » Contact 1-800-BUY-TREX for Escapes fastener recommendations.

FastenMaster® TrapEase® 3 and Cortex® are registered trademarks of OMG, Inc.

Quik Drive® is a registered trademark and Composi-Lok™ is a trademark of Simpson Strong-Tie Company, Inc.

DeckFast® Cap-Tor® xd and HeadCote® Cap-Tor® xd are registered trademarks of Starborn Industries Inc.

C-Deck Exterior Star Deck Composite Deck Screw is a product of Screw Products Inc.

Phillips II Plus® is a registered trademark of Phillips Fasteners LLC. SplitStop™ screws are a registered trademark of Titan Metal Werks, Inc.

**Trex recommends the use of two screws per joist.**

**All recommended screws are designed to be installed flush with decking surface. DO NOT countersink screws.**

**Use recommended stainless steel screws in any areas near bodies of saltwater.**

## MINIMUM FASTENER SIZE

| SCREWS  |                  |         |
|---------|------------------|---------|
| Profile | Length           | No.     |
| 1x6     | 2-1/2" or 2-3/4" | #8, #10 |
| 2x6     | 2-3/4" or 3"     | #8, #10 |



# TREX® FASCIA INSTALLATION RECOMMENDATIONS

Trex Fascia utilized around the perimeter of a deck must be gapped with the same requirements as Trex decking to allow for air flow and expansion/contraction of the fascia.

## When Using Approved Fascia Fasteners:

**NOTE:** The fasteners listed below can only be used with 1x8 or 1x12 fascia product, and cannot be used with decking product that is being used as fascia trim or stair risers.

See previous page for Trex recommended Fascia fasteners.

Always refer to manufacturing instructions first for installation methods. If instructions are not specific, refer to the below diagram. Always remember to gap fascia properly. A secondary glue is not required when using these fasteners.

**NOTE:** Instructions below reflect the use of Trex recommended fascia fasteners. If using deck boards as fascia, refer to the recommendations in next column on this page.

Optimal installation method (*shown below*) is using square-edge decking as a border, overlapping the rim joists approx. 1" in picture framing pattern around decking perimeter. This will allow fascia to be installed UNDER the square-edged decking, adding protection to the fascia/ framing seam and hiding the board ends from view. This optimizes both fascia performance as well as the aesthetics of the installation.

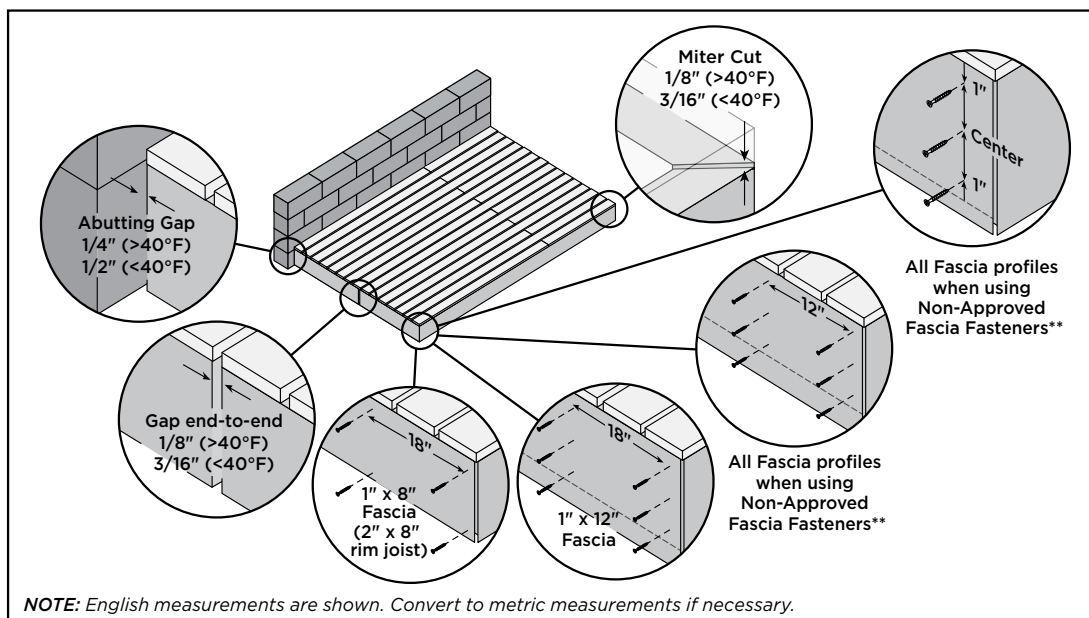
## TIPS:

- » 10" rim joists (represented below unless noted) allow for an easier and more aesthetically pleasing installation.
- » Miter cuts at butt joints and corners allow for a more aesthetically pleasing installation (end-to-end gapping rules still apply).

## If Using Other Fasteners and/or Using Decking Product in Fascia/Stair Riser Applications:

While Trex prefers the previous methods of attachment, as these are the very best options, there are also other recommendations that can be followed for fascia or deck boards being used for fascia. Use three Trex recommended composite decking screws every 12". *ALWAYS refer to manufacturer instructions to ensure that recommended screws can be used for fascia applications.* The top screw should be placed 1" from the top of the **rim joist**, the second screw in the center of the rim joist, and the third screw 1" from the bottom of the **rim joist**.

**\*\*IN ADDITION,** also use a weather-resistant, construction-grade adhesive (adhesives that work with wood will work with Trex products) as a **SECONDARY** fastener when attaching fascia. *Remember to wipe away any excess before it dries or is allowed to drip on other Trex surfaces.*



**NOTE:** English measurements are shown. Convert to metric measurements if necessary.

**NOTE:** Construction methods are always improving. Please refer to [www.trex.com](http://www.trex.com) for the most up-to-date installation requirements.

## FRAMING AND FASTENING TIPS

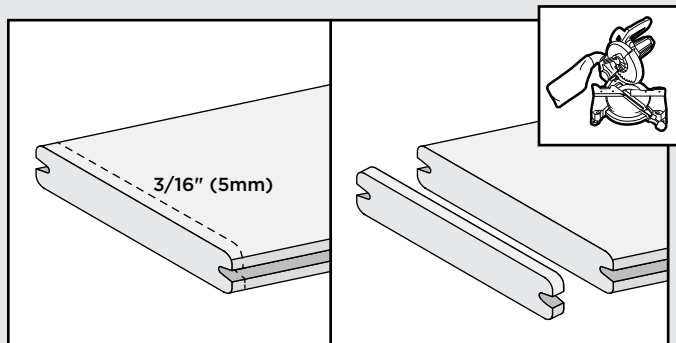
### FASTENING TIP FOR TREX ESCAPES, TREX TRANSCEND, TREX ENHANCE, AND TREX SELECT

**NOTE:** When using pneumatic or battery-operated equipment, adjust the pressure so that you only shoot the head of the screw to be flush with the board's cap. **DO NOT** shoot the fastener head completely through the shell.

### TREX PRODUCTS NEAR LOW-E WINDOWS

Low-E glass reflects more sunlight, and it has been observed that the extra reflectivity combined with any concavity in the glass can act like that of a concave mirror, concentrating sunlight onto outdoor objects, including that of decking and railing. This can result in an extreme amount of heat concentrated on areas of the decking surface, which, in turn, can sometimes char the decking surface or cause the decking to slightly bow.

### CLEAN CUT BOARDS



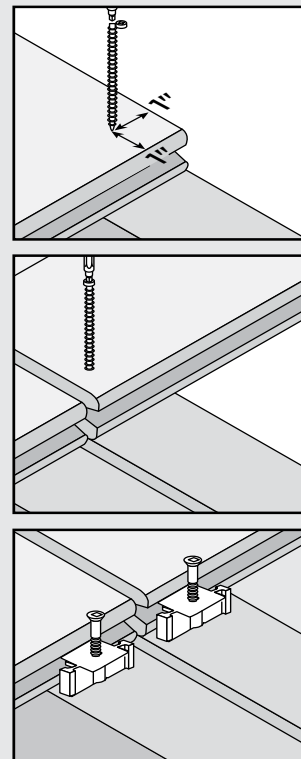
**It is recommended to clean cut boards on both ends minimum 3/16" (5mm).**

Composite decking is a great alternative to traditional wood decking. When building your deck and railing, it is recommended that code-approved structural material be used as the framing and joists. One option is using Trex Elevations® steel deck framing. Refer to [www.trex.com](http://www.trex.com) for more information on Trex Elevations. Check your local building codes for restrictions. Trex decking cannot be used for structural applications. **Do not** attach Trex decking directly to any solid surface or watertight system.

In most cases, install fasteners at a 90° angle (perpendicular to the board).

At board ends on the deck's edge, you can install screws placed perpendicularly at the recommended distance, at minimum of 1" (25mm) from the board end and edge, without splitting the board.

For butt joints, where boards meet over a single joist, add a 2" x 4" "nailer" board at the butt joint. This allows screw-in at 90 degrees and allows fasteners to be used at end of each board.



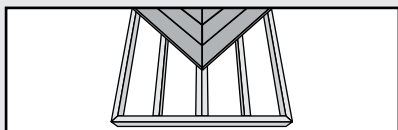
### DOCK APPLICATIONS

Trex decking contains no materials that will harm marine life and is safe for the environment. As long as dock is in intermittent contact with water, i.e., splashing and not in continuous direct contact with water, the durability of the Trex decking should not be affected.

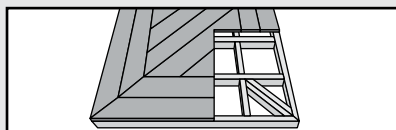
For docks, a 3/8" (10mm) width-to-width gap between boards is recommended to allow for increased drainage due to increased contact with water. In addition, stainless steel fasteners should be used. If there is sufficient contact between the dock and gasoline, grounding of the dock is also recommended.

### Special Patterns

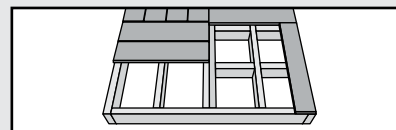
When planning a unique pattern, you will need to adjust the framing to support the surface pattern. Many decks are designed to take advantage of angles, as shown below.



Herringbone Pattern



Picture Frame Pattern

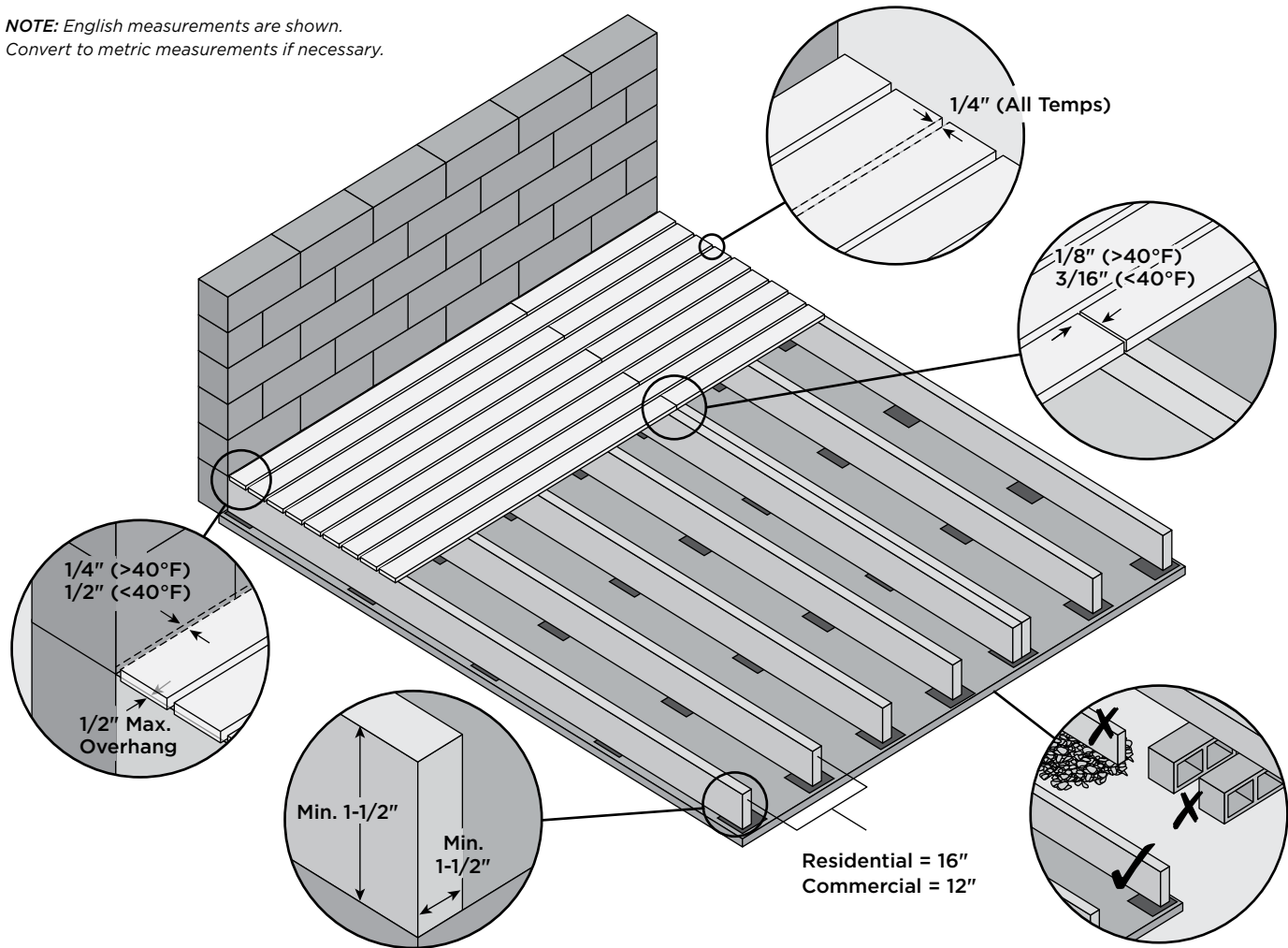


Tile Pattern

# ROOFTOP AND SLEEPER DECK SYSTEMS-PRESSURE TREATED FRAMING

A sleeper system is a substructure between a solid surface and Trex decking. Drainage, access, and airflow are critical. Water must be able to flow through and away from the deck. For repairs and removal of debris, joist system access may be necessary.

**NOTE:** English measurements are shown.  
Convert to metric measurements if necessary.



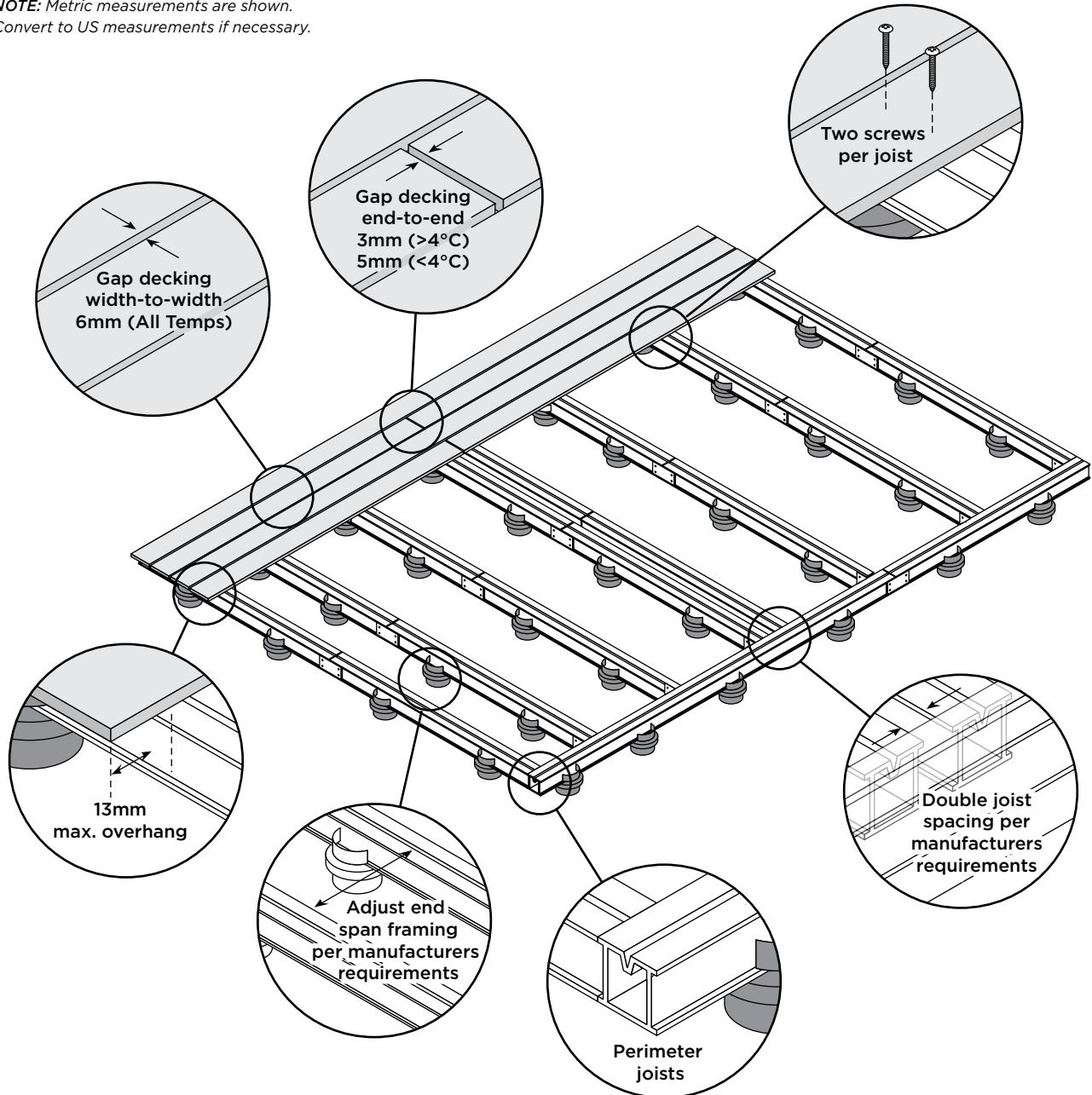
- » It is recommended that building-code-approved structural material be used as the supports.
- » This system should not be allowed to float; it must be attached in a manner that secures the framing/system.
- » The sleeper system must be level and have no uneven undulations. Any uneven areas of the substructure will transfer to the Trex decking, resulting in uneven decking.
- » Trex, when used with a sleeper system, must be supported below its entire length. If using in a roofing application, the supports must run the direction of the pitch of the roof to facilitate proper drainage. Sleeper should be placed perpendicular to the deck board orientation.
- » For commercial applications, consult a local building code official for specific requirements.
- » If installing decking at an angle, decrease spans 4" (100 mm) for each of the above. (12" (305 mm) for residential and 8" (204 mm) for commercial.)

- » For sleeper systems where small debris (pine needles, leaves, sand, dirt) can accumulate either between or under deck boards, a minimum of 1-1/2" (38mm) height is allowable. Trex recommends the use of Trex Universal Hidden Fasteners or 2" Starborn Cap-Tor® xd - Epoxy Coated screws. **(NOTE: Trex recommended composite decking screws are too long when using 1-1/2" (38 mm) height as this will penetrate through the sleeper.)** For areas with the potential for debris buildup, a minimum 3-1/2" (89 mm) or greater height is recommended to allow the debris to be removed along with the use of either Trex Universal Hidden fasteners or any Trex recommended screws.
- » **Always** consult your local building code authority for proper details on roof and railing installation to the roof structure if required.
- » Any deviation from these recommendations could result in voiding of the Trex warranty.

**NOTE:** Construction methods are always improving. Please refer to [www.trex.com](http://www.trex.com) for the most up-to-date installation requirements.

# METAL FRAMING REQUIREMENTS AND GAPPING

**NOTE:** Metric measurements are shown.  
Convert to US measurements if necessary.



## NOTES:

- » When using an aluminum framing system or other type of metal for sleeper systems, follow manufacturer's instructions for proper installation.
- » Depending on type of structure being used, different types of fasteners must be used for attachment.
- » When using screws to attach decking to framing, use two screws per every joist.



# CODE COMPLIANCE

## Joist Spanning for Decking

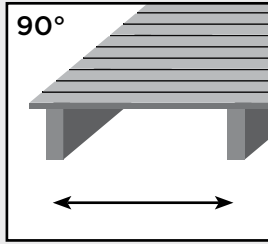
Trex decking meets all applicable national model building codes. The joists must be spaced on center according to the chart below. Be sure that joists are level and plumb. Trex decking must span at least three joists. For heavy items such as hot tubs, planters, etc., consult a local building engineer or inspector for span recommendations. If you want to minimize the appearance of joists through the spaces between boards, paint the top of your joists black.

## Code Listings

Trex complies with major model building codes and has been evaluated by the International Code Council evaluation service.

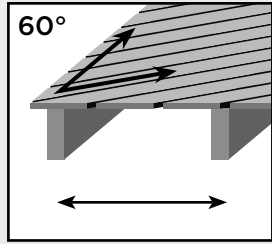
For a Safety Data Sheets (SDS), please visit [www.trex.com](http://www.trex.com).

### ADJUST JOIST SPANNING TO ACCOMMODATE ANGLED DECKING PATTERNS



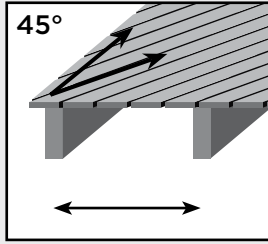
**90°**

Perpendicular to joists. See chart below.



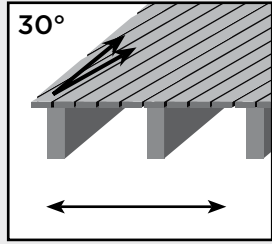
**60°**

At a 60° angle, maximum joist spanning is 2" (51 mm) less than listed in the chart below.



**45°**

At a 45° angle, maximum joist spanning is 4" (102 mm) less than listed in the chart below.



**30°**

At a 30° angle, maximum joist spanning is 1/2 of the distance listed in the chart below.

| TREX DECKING SPAN CHART (On Center)                                  |  |   |
|--|--|---|
|  | Residential Decks, Light Duty Docks, Residential/Day Care Playground | Commercial Decks, Boardwalks and Marinas                        |
| Decking Loading  | 100 psf = 4.8 kN/m <sup>2</sup>                                      | 100 psf = 4.8 kN/m <sup>2</sup> 200 psf = 9.5 kN/m <sup>2</sup> |
| 1" (25 mm) Boards (including Porch), and .875" (22 mm) Select Boards | 16" (406 mm)   | 16" (406 mm)    12" (305 mm)                                    |
| 2" x 6" (51 mm x 152 mm) Boards                                      | 24" (610 mm)   | 24" (610 mm)    16" (406 mm)                                    |

| TREX RAILING SPAN CHART                                 |  |
|---|--|
| Maximum Railing Span for all Applications               |  |
| Transcend, Select railing, and Trex® Signature™ railing | 96" on center (2438 mm) for Transcend, 72" on center (1829 mm) for Select, 96" (2438 mm) clear span for Trex® Signature™ |

**NOTE: Construction methods are always improving. Please refer to [www.trex.com](http://www.trex.com) for the most up-to-date installation requirements.**

## GAPPING and OVERHANG

You must gap Trex decking both end-to-end and width-to-width. Gapping is necessary for drainage and the slight thermal expansion and contraction of Trex decking boards. Gapping also allows for shrinkage of the wood joist system.

- » **ALWAYS** follow Trex-recommended gapping guidelines.
- » Maximum allowable perpendicular overhang for all Trex decking is 1/2" (13 mm).
- » All decks require air circulation to keep them dry and looking good. To improve air flow, leave openings under the decking or increase gapping to 3/8" (10 mm).

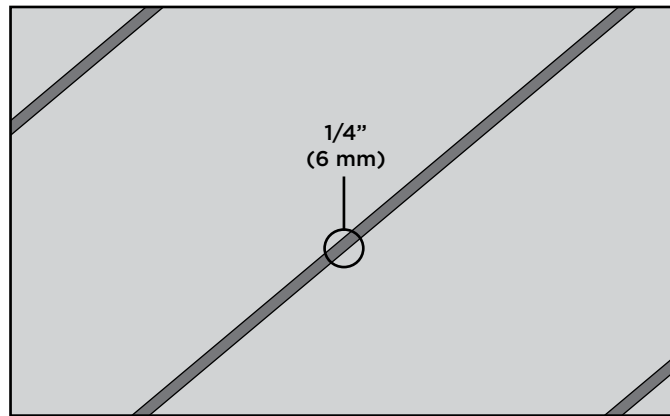
| WIDTH-TO-WIDTH GAP |
|--------------------|
| 1/4" (6 mm)        |

| END-TO-END/END-TO-WIDTH AND ABUTTING GAP |                             |              |
|--|-----------------------------|--------------|
|  | End-to-End/<br>End-to-Width | Abutting Gap |
| Above 40°F* (4.5°C)*                     | 1/8" (3 mm)                 | 1/4" (6 mm)  |
| Below 40°F* (4.5°C)*                     | 3/16" (5 mm)                | 1/2" (13 mm) |

\*Temperature at installation.

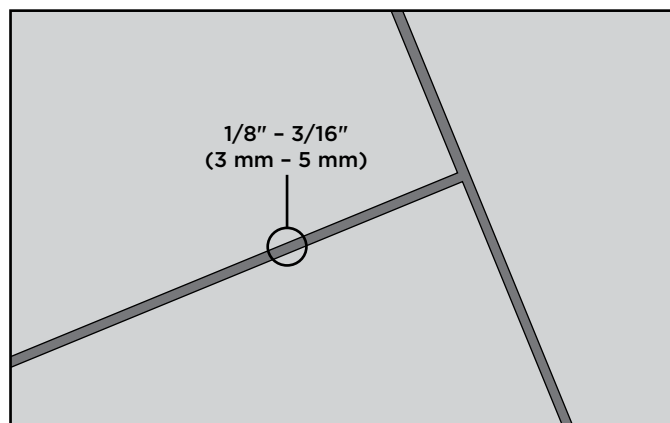
When you use the recommended hidden fasteners, the placement of the hidden fastener establishes the designated gap size.

When installing fascia, gapping rules must apply.



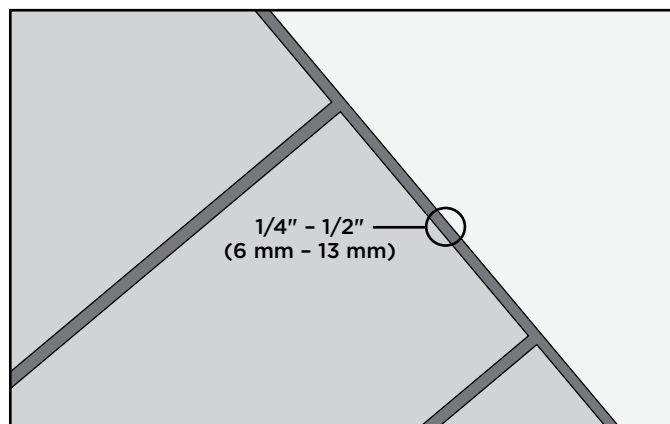
### Width-to-Width

The minimum required width-to-width gapping is 1/4" (6 mm). This is allowed for both hot and cold weather installations. For docks and heavily wooded areas, Trex recommends a 3/8" (10 mm) gap as well. No gapping should ever exceed 1/2" (13 mm).



### End-to-End/End-to-Width

Gap Trex decking end-to-end, based upon the temperature at installation. See chart at left. For fastening tips, see page 30.

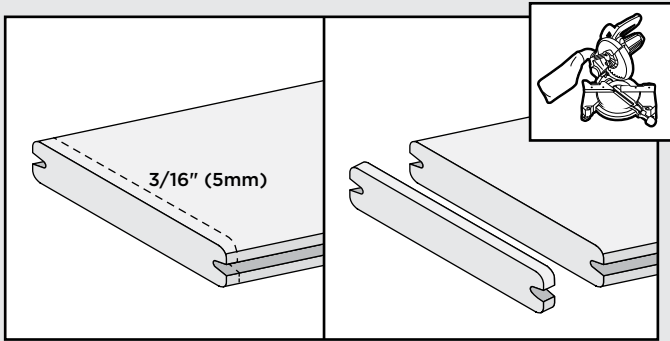


### Abutting Solid Objects

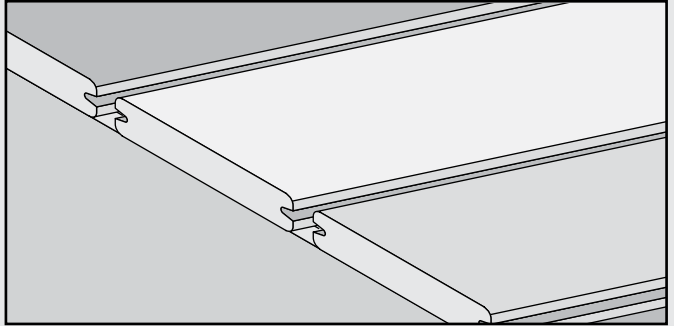
When decking is abutting a wall, you must also gap it 1/4"-1/2" (6-13 mm) depending on the temperature at installation. See chart at left.

# IMPORTANT NOTES BEFORE INSTALLING TREX DECKING

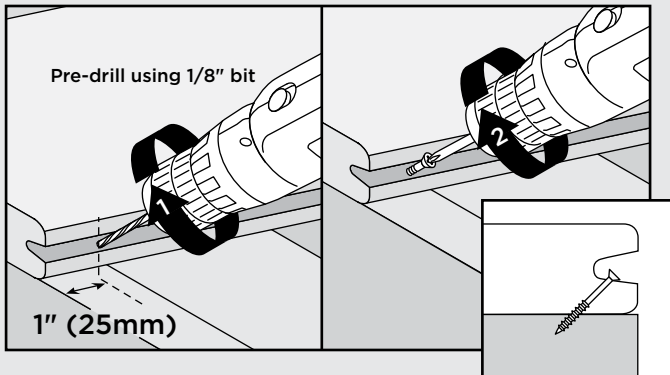
It is recommended to clean cut boards on both ends a minimum 3/16" (5mm).



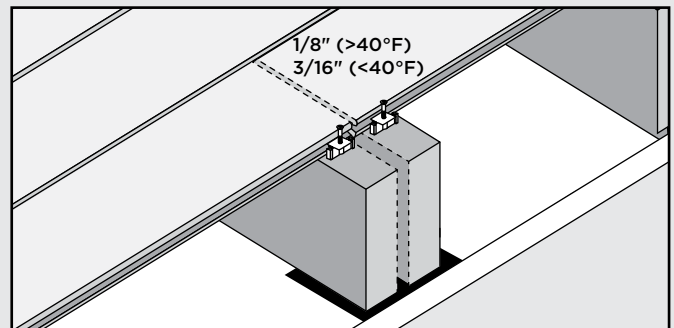
To ensure an appealing mix of color tones, mix and match all boards prior to installation.



If installing in localities prone to large temperature shifts within a 24-hour period, and installing Trex Universal Hidden Fasteners, pre-drill and toenail a screw (use same screw used in hidden fasteners) at an angle in groove at both ends (at least 1" (25mm) from board end) and center of each board.

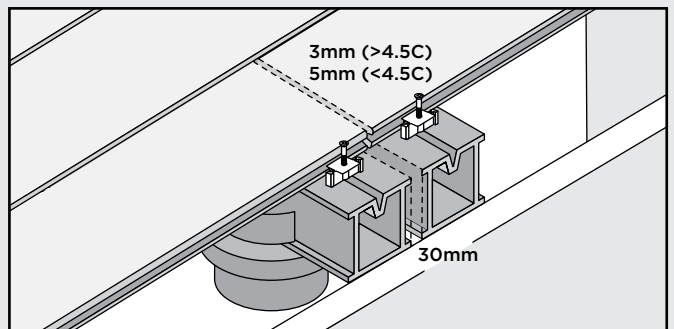


## Abutted Board Attachment Requirements



NOTE: Optional - Gap joist framing 1-1/8" to allow for water drainage.

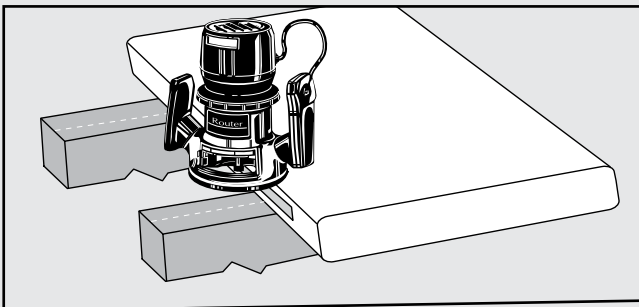
## Metal Framing



NOTE: HIDDEN FASTENERS MUST BE USED AT EVERY JOIST.

## Routing Square Edge Boards for Trex Hideaway Hidden Fasteners

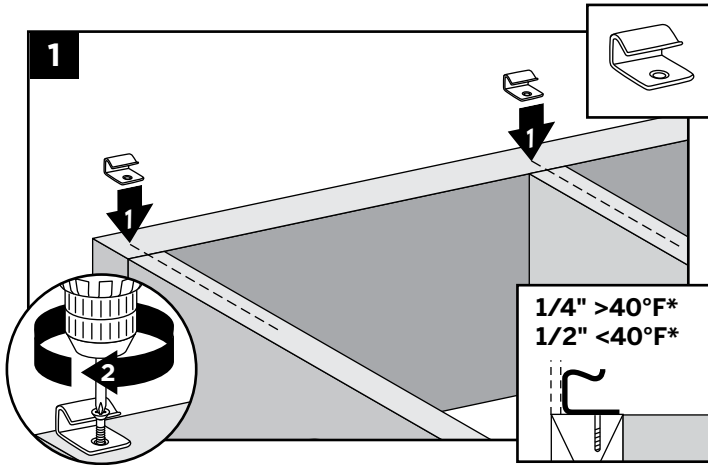
NOTE: All Trex square edge profiles, either 1x6 or 2x6, can be routed.



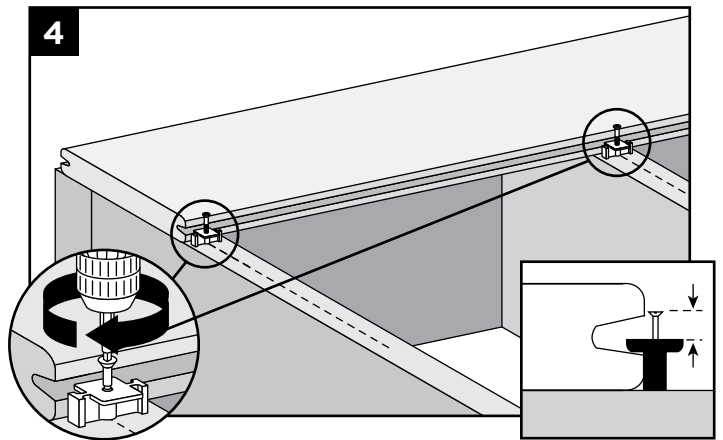
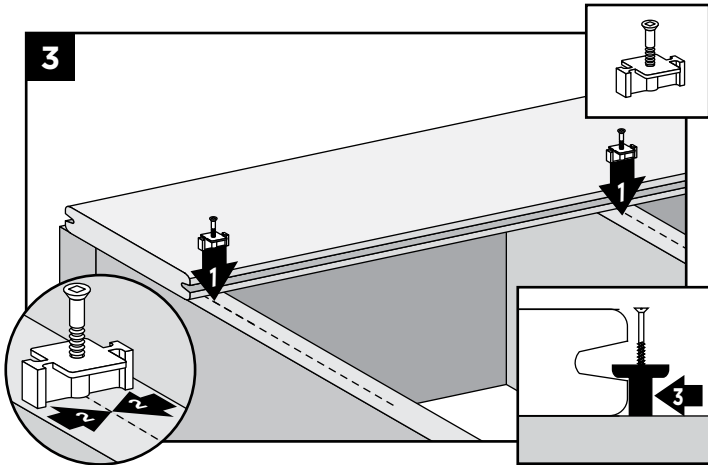
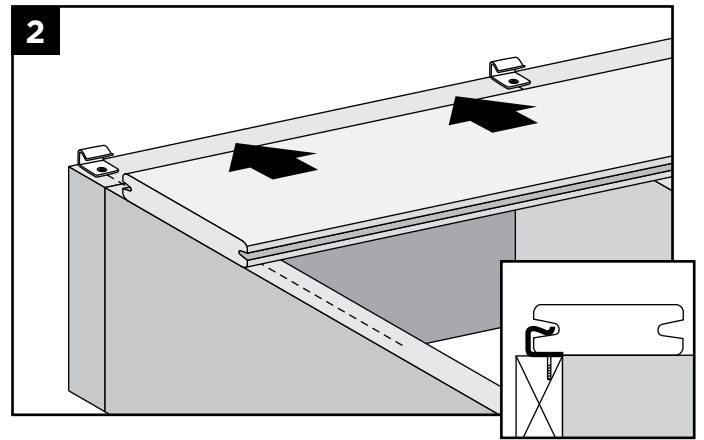
Using a Trex routerbit with standard router:

1. Rout from bottom side of board.
2. Rout the entire length of the board, or at every intersection where board is over support joists.

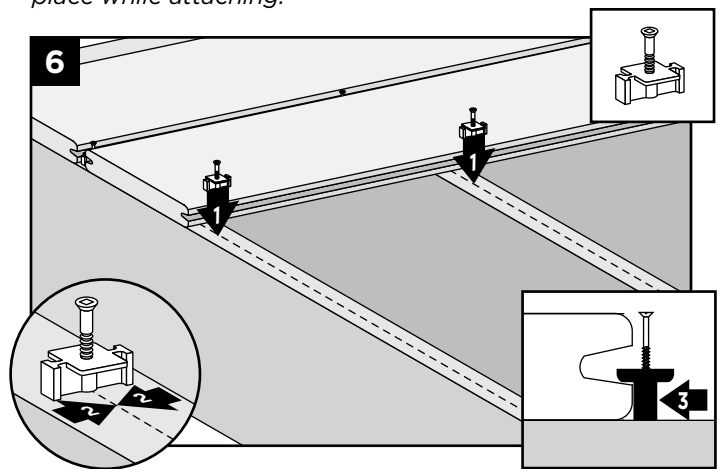
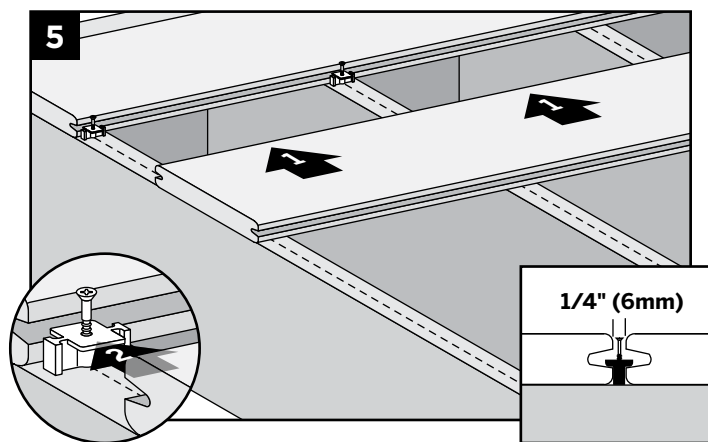
# INSTALLING TREX TRANSCEND, ENHANCE, SELECT DECKBOARDS



\*6mm >4°C 13mm <4°C

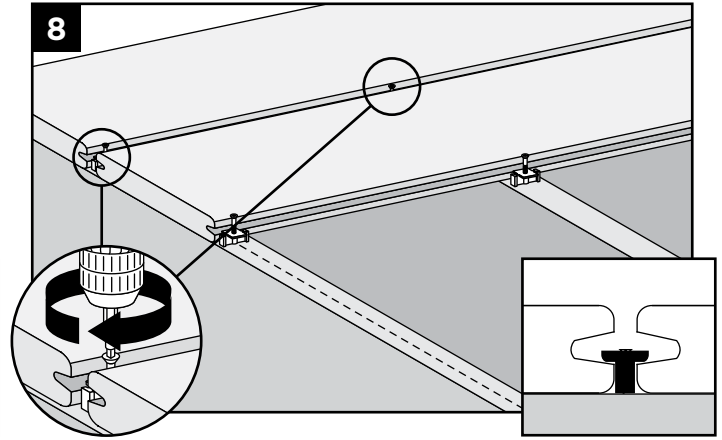
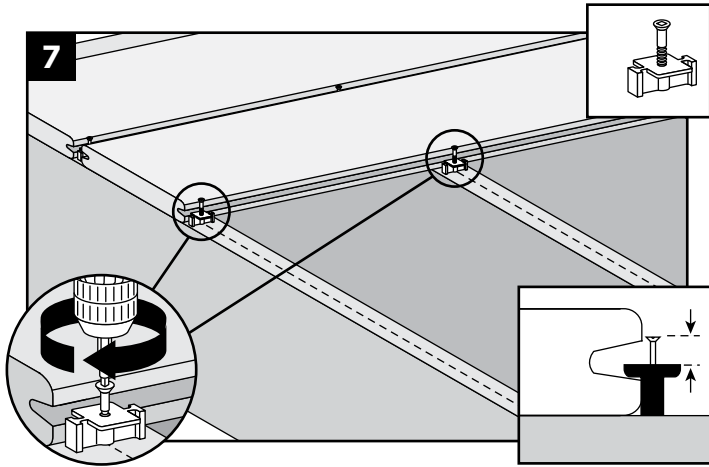


**NOTE:** Use scrap piece of decking to help hold fastener in place while attaching.

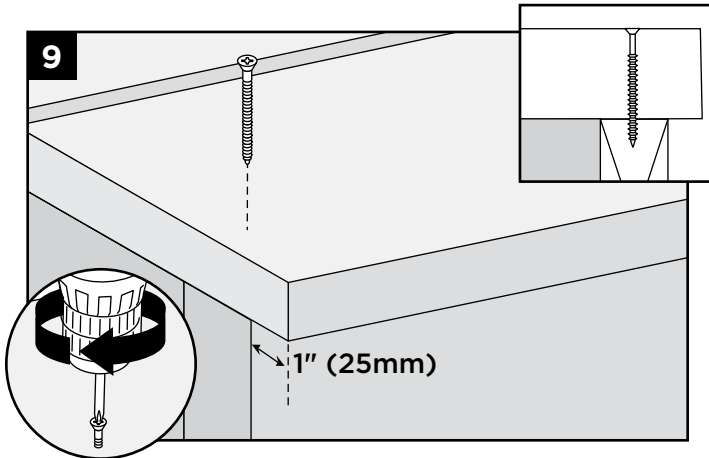




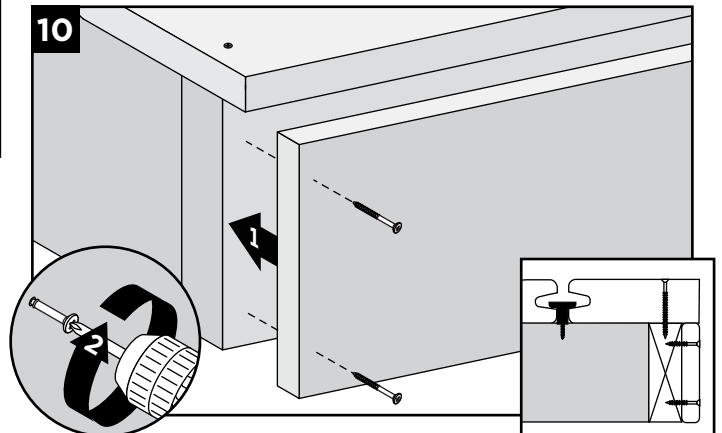
## INSTALLING TREX TRANSCEND, ENHANCE, SELECT DECKBOARDS/CONTINUED



Installing Last Deck Board  
(Square-Edge Board Recommended)



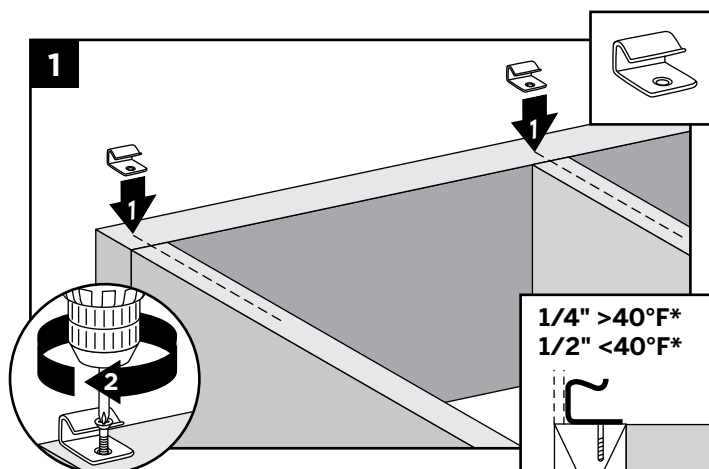
Route one side of square-edge board to use with hidden fasteners.



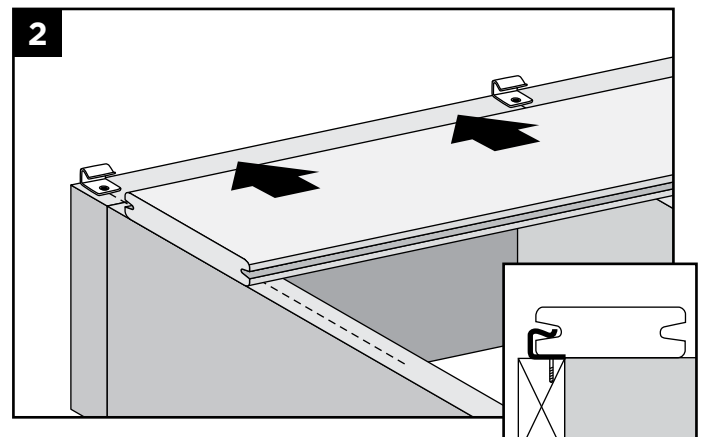
Fascia screws supplied by installer (1 x 8 fascia shown).

**NOTE:** Refer to page 29 for detailed fascia attachment instructions.

## INSTALLING ESCAPES BOARDS WITH TREX HIDEAWAY® UNIVERSAL HIDDEN FASTENERS

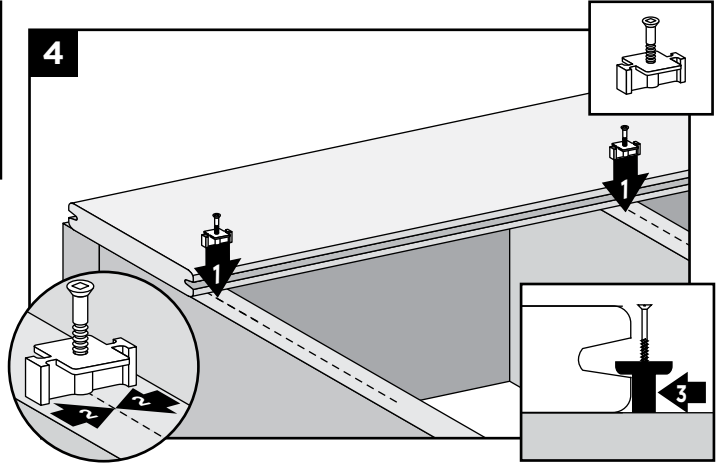
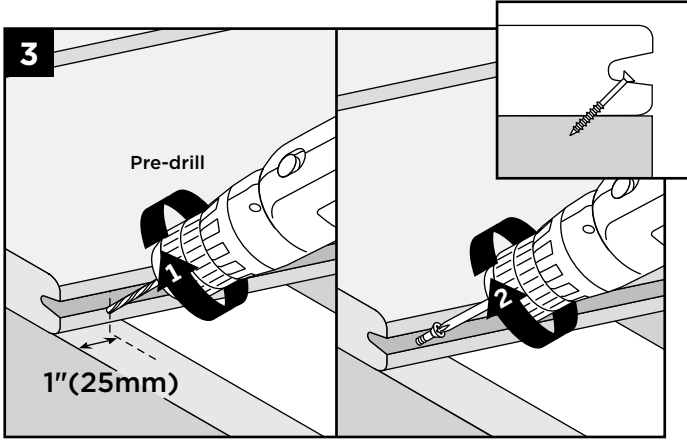


\*6mm >4°C 13mm <4°C

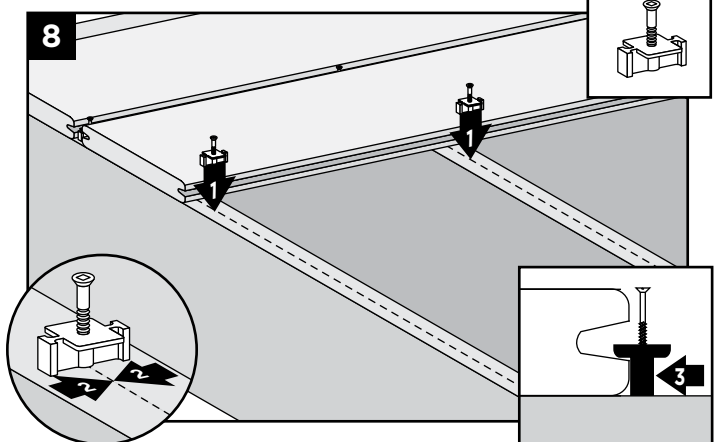
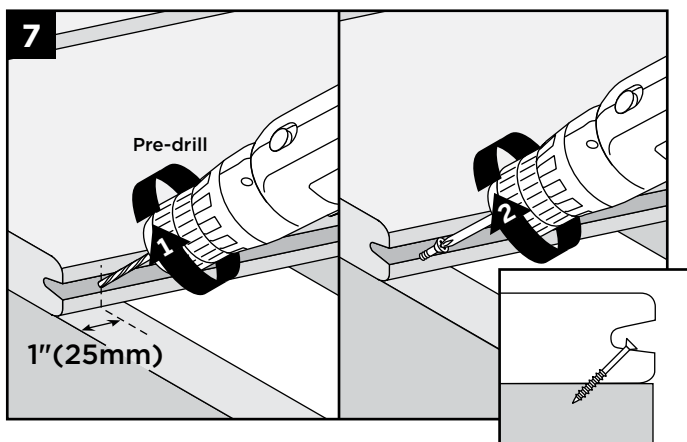
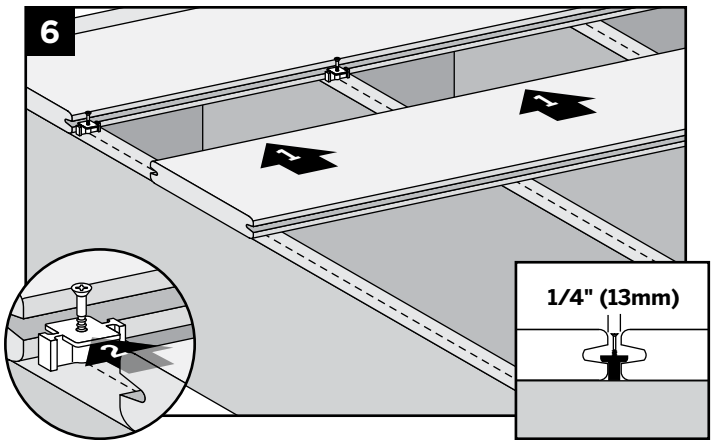
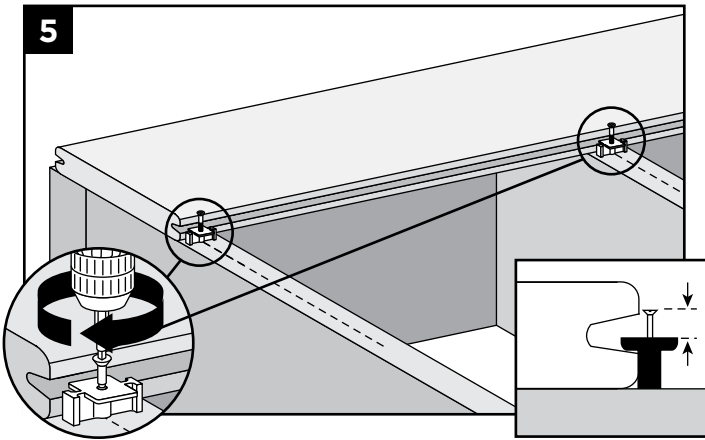


**NOTE:** Construction methods are always improving. Please refer to [www.trex.com](http://www.trex.com) for the most up-to-date installation requirements.

# INSTALLING ESCAPES BOARDS/*CONTINUED* WITH TREX HIDEAWAY® UNIVERSAL HIDDEN FASTENERS



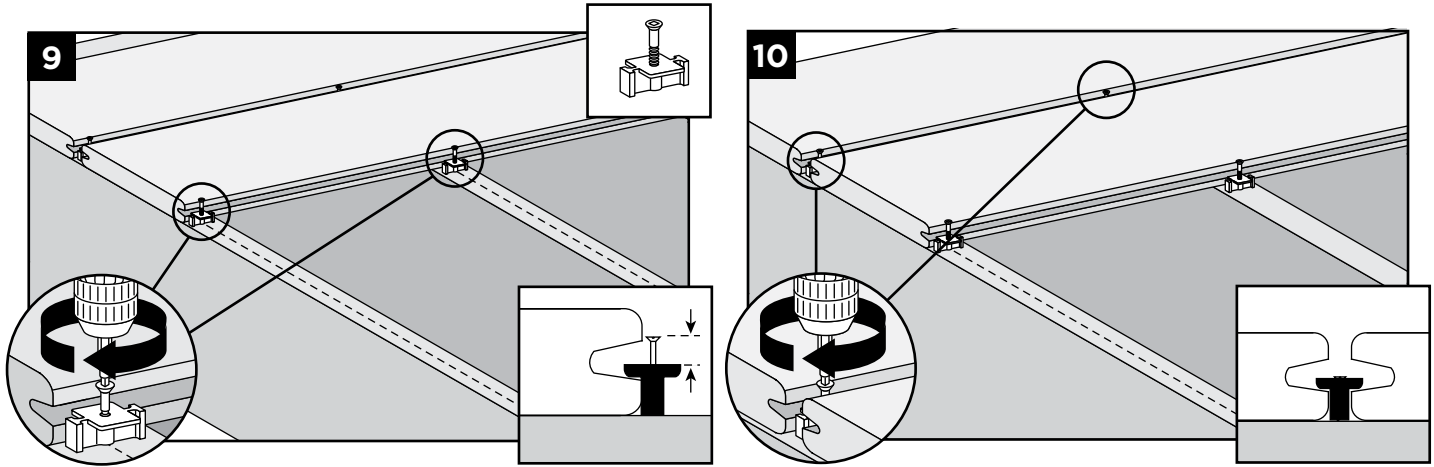
Use same screw as supplied with hidden fastener.  
**NOTE:** Install at both ends and center of board.



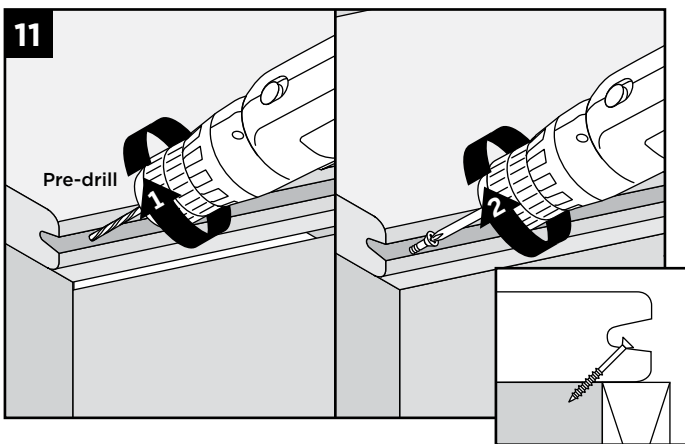
Use same screw as supplied with hidden fastener.  
**NOTE:** Install at both ends and center of board.



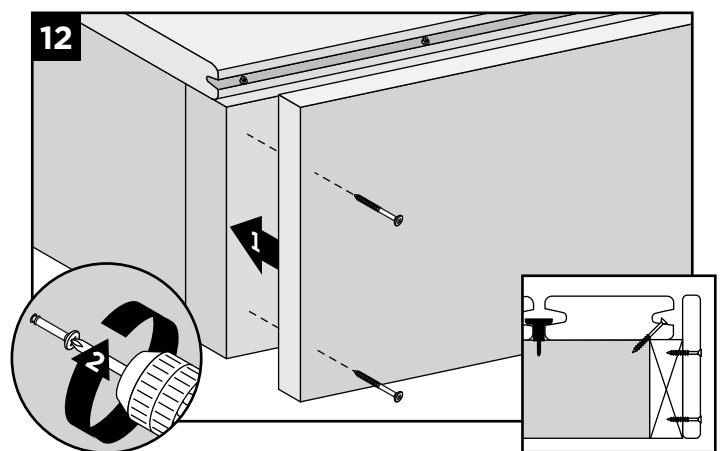
# INSTALLING ESCAPES BOARDS/CONTINUED WITH TREX HIDEAWAY® UNIVERSAL HIDDEN FASTENERS



## Installing Last Deck Board



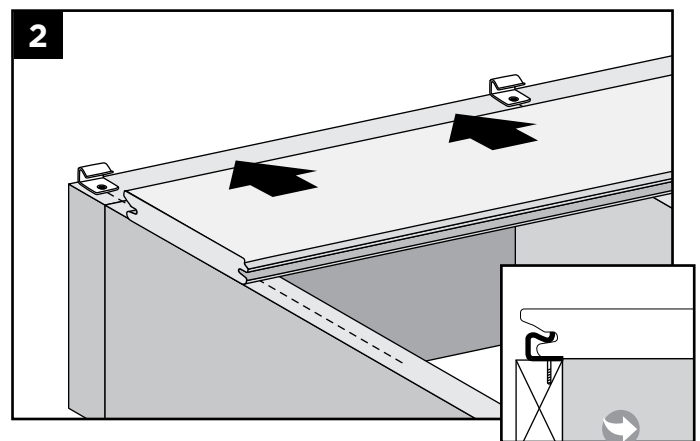
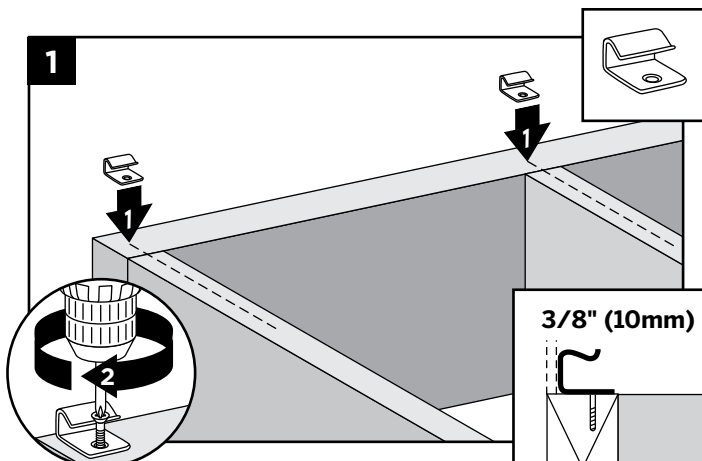
Use same screw as supplied with hidden fastener.



Fascia screws supplied by installer (1 x 8 fascia shown).

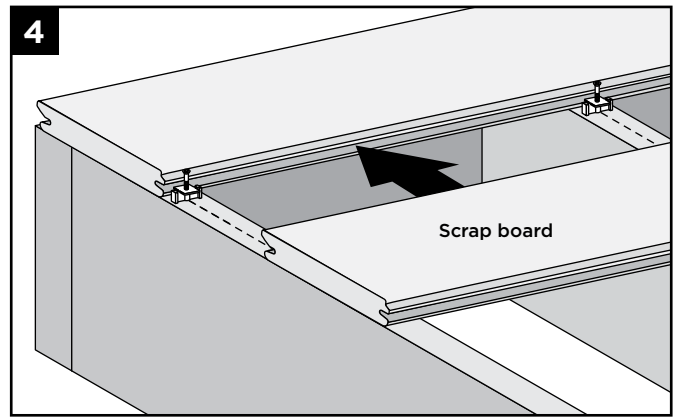
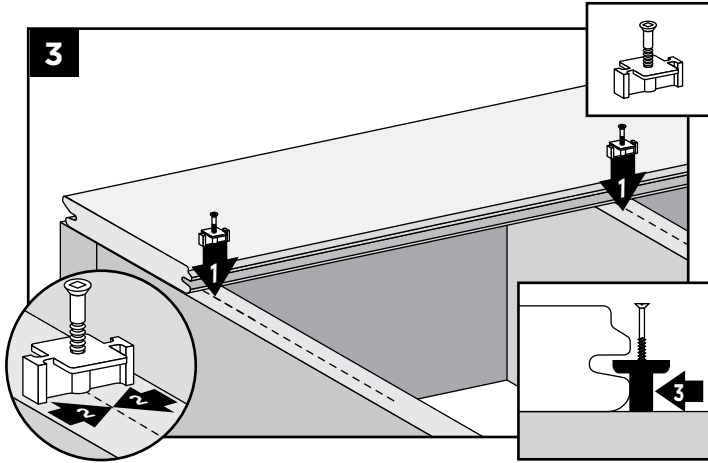
## INSTALLING TREX TRANSCEND PORCH BOARDS TREX HIDEAWAY® HIDDEN FASTENERS CONNECTOR CLIPS (METAL CLIPS) CANNOT BE USED WITH TREX PORCH BOARDS)

**NOTE:** When installing Trex Porch Floorboards in a non-covered environment, the porch structure should be slightly sloped to help allow for proper drainage. Joists should be sloped 1/8" per foot away from the house to facilitate drainage. Refer to your local building code official for recommendations BEFORE building sub-structure. When installing Trex Porch Floorboards under cover of a roof, no slope is required.

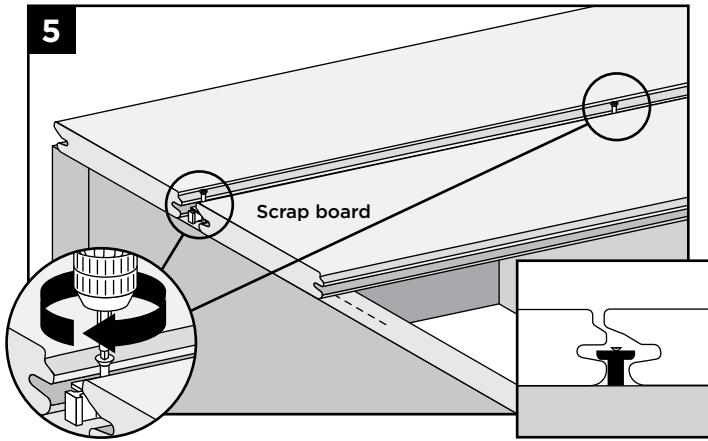


**NOTE:** Construction methods are always improving. Please refer to [www.trex.com](http://www.trex.com) for the most up-to-date installation requirements.

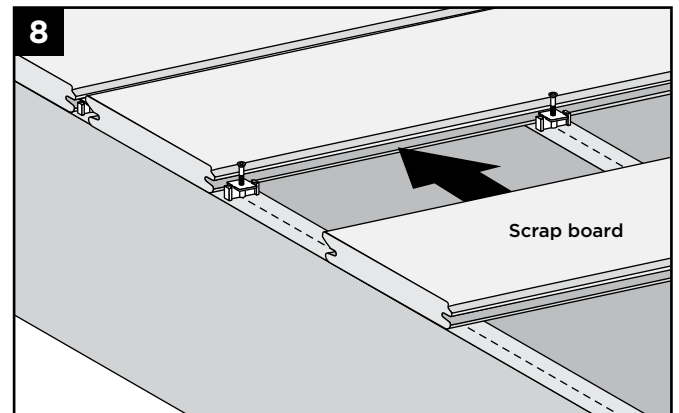
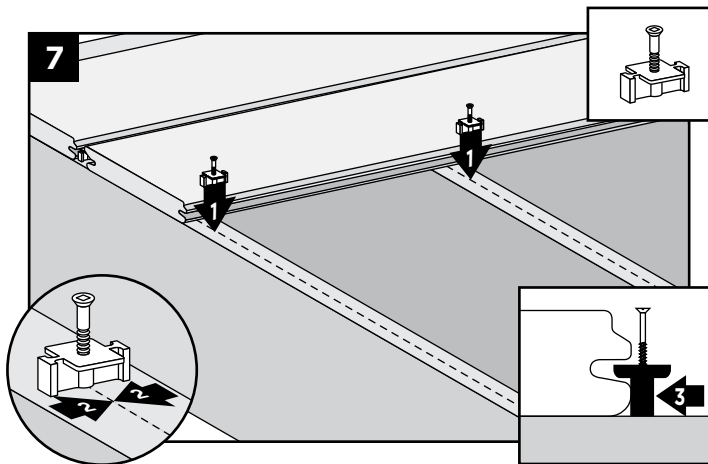
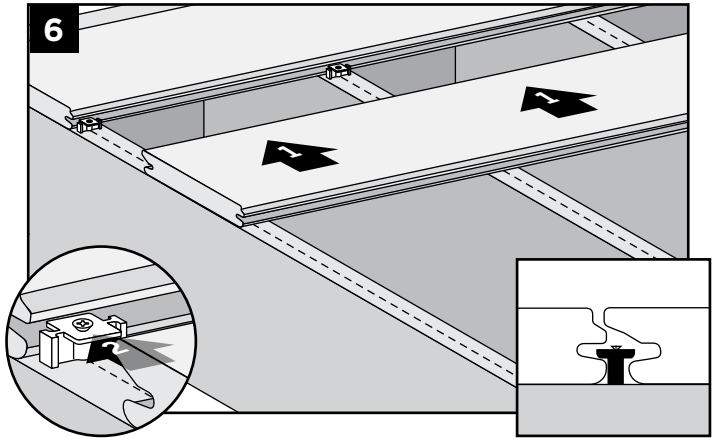
# INSTALLING TREX TRANSCEND PORCH BOARDS/CONTINUED



Use a piece of porch scrap board to keep the fastener straight and secure. Using smaller lip side, hold the hidden fastener down before screwing in.



Remove scrap board after tightening fasteners and save for next board installation.



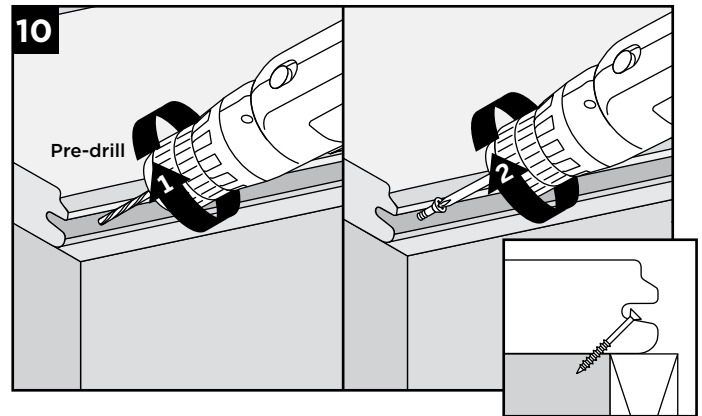
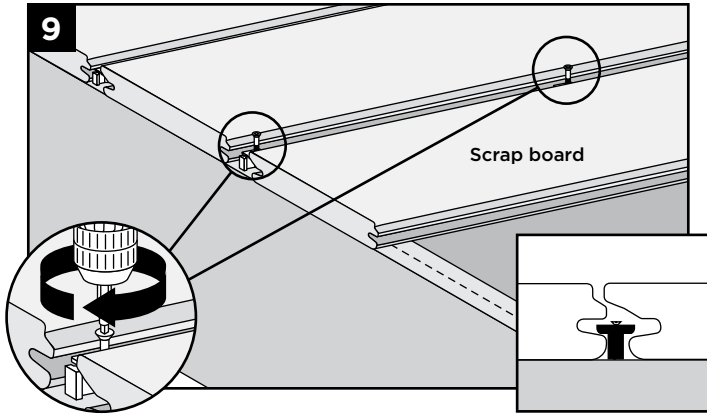
Reuse porch scrap board from previous board installation.



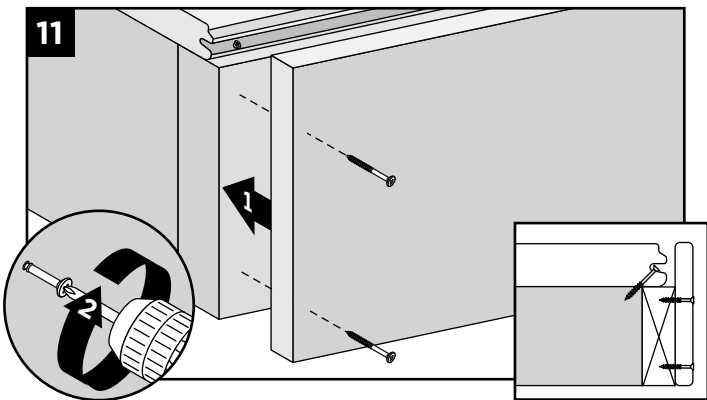


# INSTALLING TREX TRANSCEND PORCH BOARDS/CONTINUED

## Installing Last Deck Board

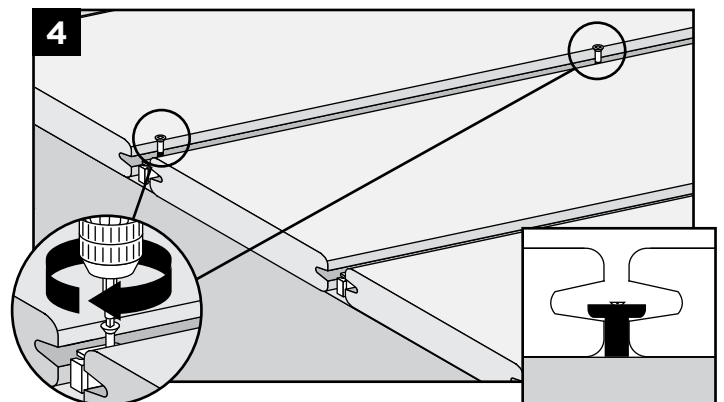
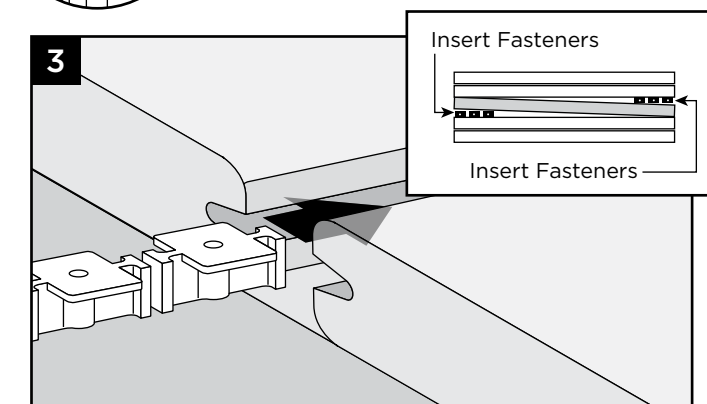
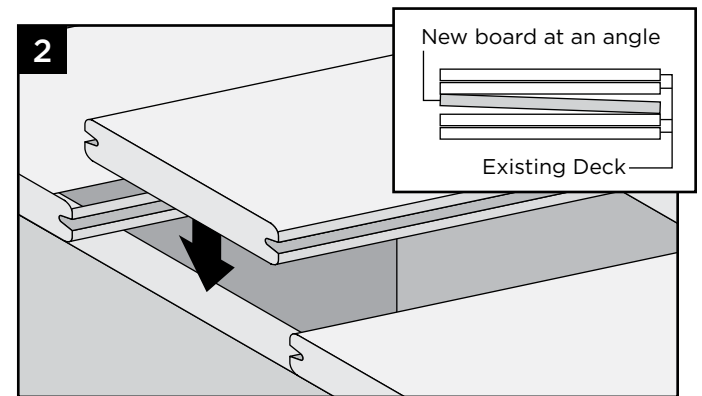
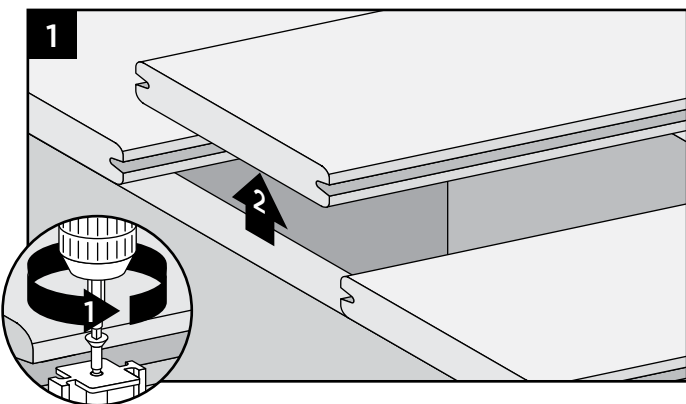


Use same screw as supplied with hidden fastener.



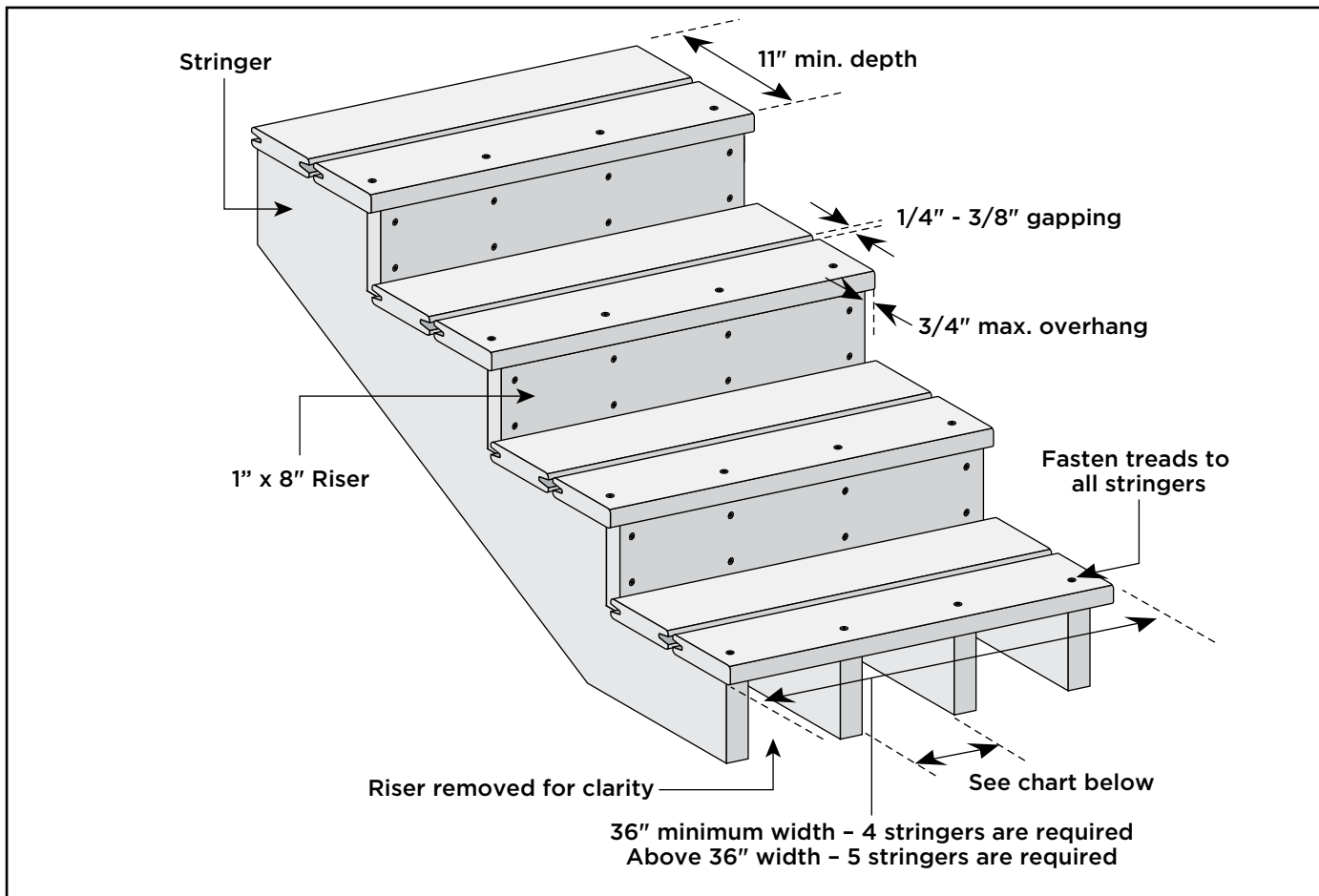
Fascia screws supplied by installer (1 x 8 fascia shown).

## REPLACING TREX BOARDS (TRANSCEND, ENHANCE, SELECT, ESCAPES) INSTALLED WITH TREX HIDEAWAY UNIVERSAL FASTENERS



# SPANNING REQUIREMENTS FOR TREX STAIRS

Note: English measurements are shown. Convert to metric measurements if necessary.



## STAIRS

### Stairway Detail

- » Stair treads built with Trex meet requirements of the major national building codes. Consult your local municipality for specific requirements.
- » Fasten stair treads continuously across at least four stringers.
- » See chart (at right) for center-to-center spacing of profiles.
- » Dress the sides of the stringers and risers with trim or Trex fascia for a finished look.
- » When installing risers, use two screws per every stringer.
- » Fascia fasteners can only be used if fascia boards are being used for risers. If deck boards are used, recommended composite deck screws must be used (glue is not required for this application).
- » Most model building codes require the stair treads to be constructed under the following requirements:
  - › Stairways must be at least 36" wide\*
  - › Stair treads must be at least 11" deep
- » Gapping between Trex boards on stair treads must be 1/4"-3/8".
- » The overhang of the stair tread is not to exceed 3/4".

\*For railings that are installed directly over stair treads, the stair treads may need to be larger than 36" wide. Refer to local building code regulations for details prior to installing stairs and railings.

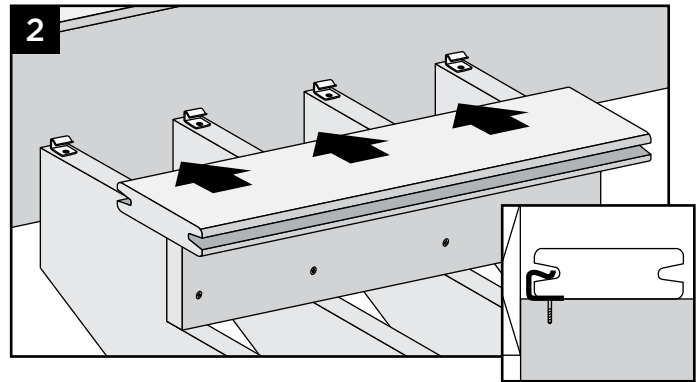
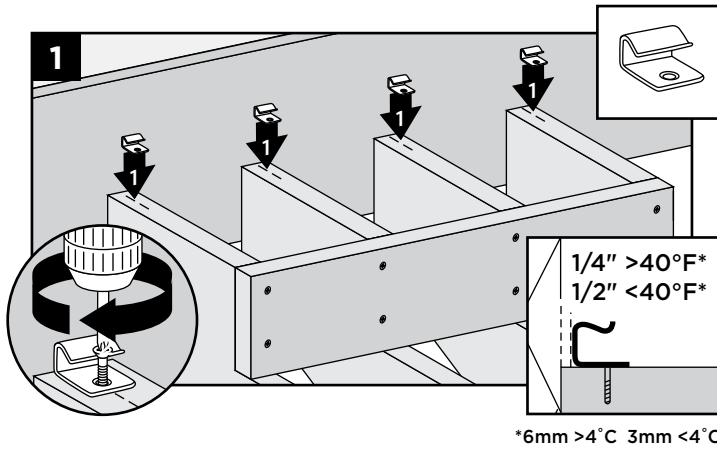
### NOTES:

- » Trex rails meet all major building codes for use as a guardrail system. Local municipalities may require a graspable handrail on stairways. Check with your local building code official for local requirements. See Trex ADA Handrail System in the Trex product catalog.
- » Trex Porch Boards should not be used for stair applications. Use square-edge composite decking boards and manually rout these where needed to allow for use with hidden fasteners.

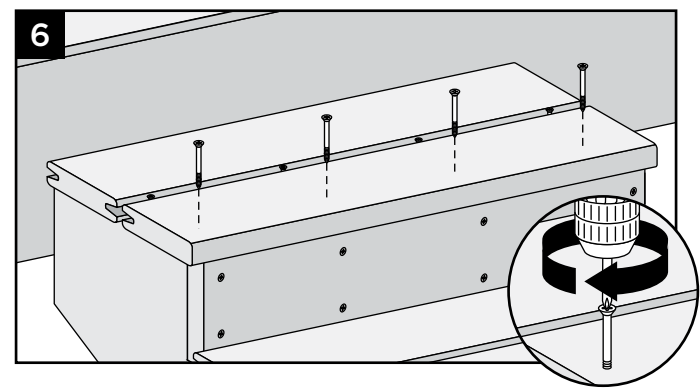
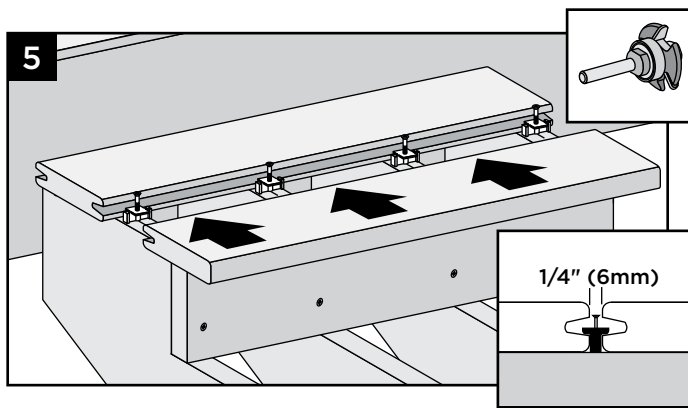
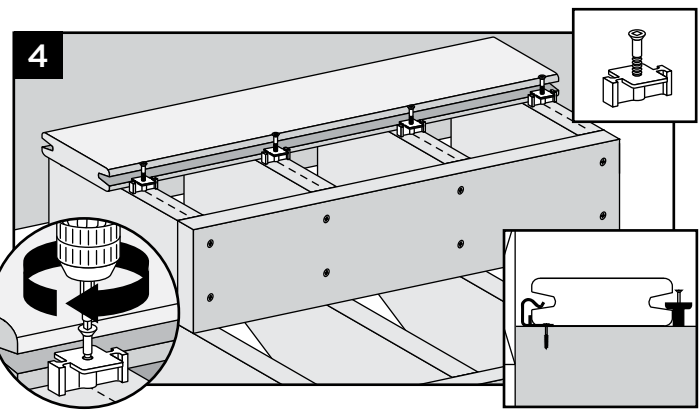
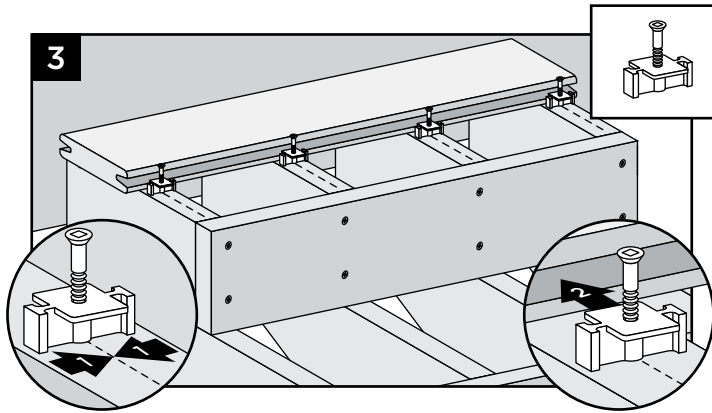
| MAXIMUM SPACING ON CENTER OF STAIR STRINGER             |     |
|---|-----|
| Transcend & Enhance (solid profile) 1" x 6"             | 12" |
| Select, Enhance (scalloped bottom), and Escapes 1" x 6" | 9"  |
| Transcend & Select 2" x 6"                              | 12" |

# INSTALLING TREX STAIR TREADS INSTALLED WITH HIDDEN FASTENERS

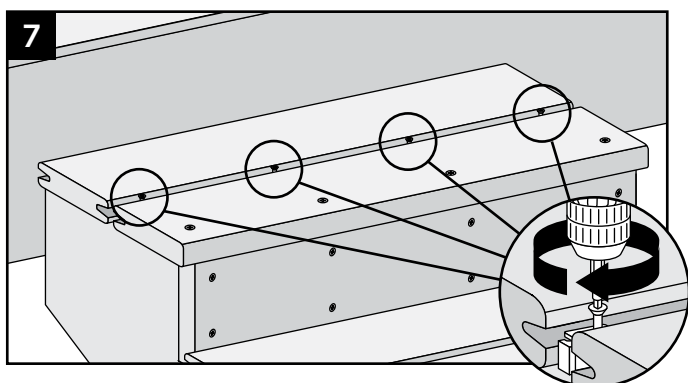
*NOTE: Use square-edge, composite decking boards and manually route these on required sides to allow for use with hidden fasteners.*



\*6mm >4°C 3mm <4°C



Rout one side of board (last stair tread).



# LOCATION AND INSTALLATION OF SURFACE MOUNT POST - DECKING

**IMPORTANT NOTES:**

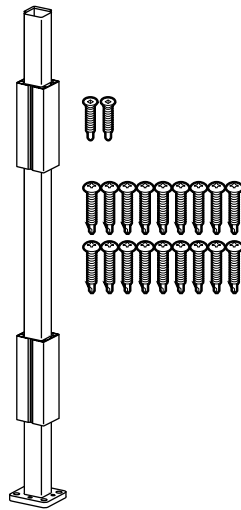
- » EACH POST MUST BE ATTACHED AS SHOWN TO ENSURE A CODE-COMPLIANT AND SAFE INSTALLATION.
- » ALWAYS REFER TO YOUR LOCAL BUILDING CODE OFFICIAL PRIOR TO INSTALLING ANY RAILING SYSTEM TO ENSURE ALL CODE AND SAFETY REQUIREMENTS ARE MET. TREX CANNOT BE HELD RESPONSIBLE FOR IMPROPER OR NON-RECOMMENDED INSTALLATIONS.
- » WHEN INSTALLING TREX POST MOUNTS ON ACQ OR CCA SURFACES, USE AN APPROPRIATE ISOLATION BARRIER BETWEEN POST AND SURFACE (CONTACT LOCAL BUILDING CODE OFFICIAL IF NEEDED).
- » ENSURE THAT CORRECT SKU HARDWARE IS ORDERED FOR THE TYPE OF RAILING BEING INSTALLED.
- » CANNOT BE USED WITH TREX TRANSCEND COCKTAIL RAILING.
- » See page 58 for sku information.

**TOOLS AND MATERIALS NEEDED**

- » Drill and/or screw gun
- » 1/2" (1.3 cm) drill bit for wood
- » Blocking - 2" x 8" (5.1 cm x 20.3 cm) pressure-treated Southern Yellow Pine or equivalent
- » Qty: 36 (per post) - 3" (7.6 cm) pressure-treated compatible wood screws

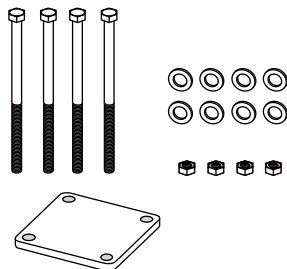
**PARTS**

- » (1) Post mount
- » (2) Guide blocks
- » (18) #8-15 x 1-1/4" (3.2 cm) Screws
- » (2) 10 x 1" (2.5 cm) Self-tapping screws



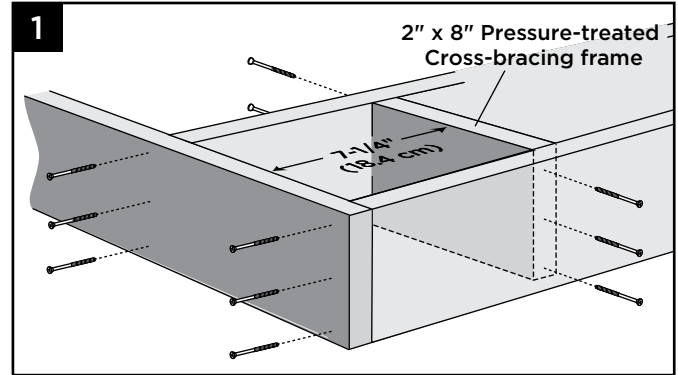
**SKU ALPOSTHWDECK** (this SKU SOLD SEPARATELY and must be used for code-approved applications).

- » (4) 3/8" x 6" (1 cm x 15.2 cm) Hex cap bolts
- » (1) Back plate
- » (8) Flat washers
- » (4) Hex nuts

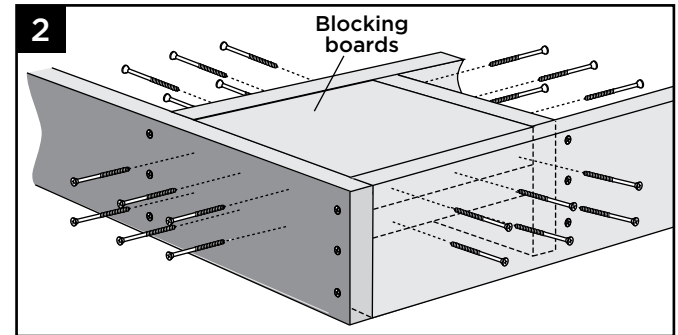


**How to Install Post Mounts on Pressure-Treated Wood Framing**

**Corner Post Installation**



1. Install 2" x 8" (5.1 cm x 20.3 cm) cross bracing frame in between joists at 7-1/4" (18.4 cm). Attach a total of twelve 3" (7.6 cm) pressure-treated compatible screws (not provided).



2. Install two 2" x 8" (5.1 cm x 20.3 cm) boards as blocking under post location. Securely attach blocking using a total of twenty-four 3" (7.6 cm) pressure-treated compatible screws (not provided).

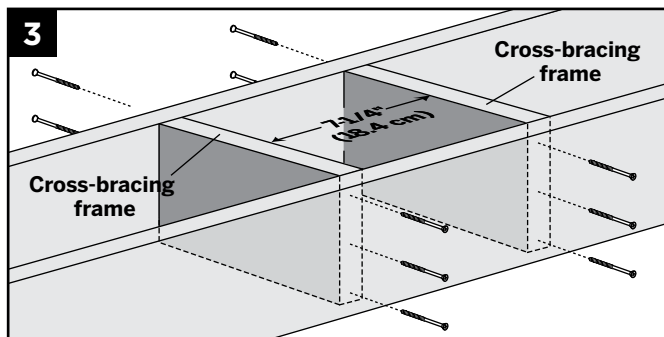
**NOTE:** TO ENSURE THE BLOCKING IS FULLY SECURE, USE THE AMOUNT OF SCREWS INDICATED ABOVE.

**TIP:** USE TWO ADDITIONAL SCREWS TO "SANDWICH" BLOCKING BOARDS TOGETHER FOR EASIER ATTACHMENT TO FRAMING.

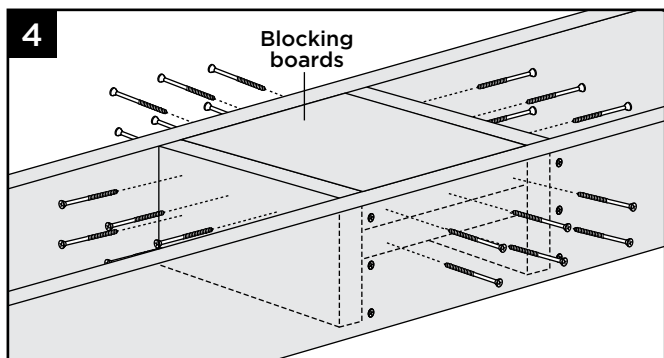


# LOCATION AND INSTALLATION OF SURFACE MOUNT POST - DECKING/ CONTINUED

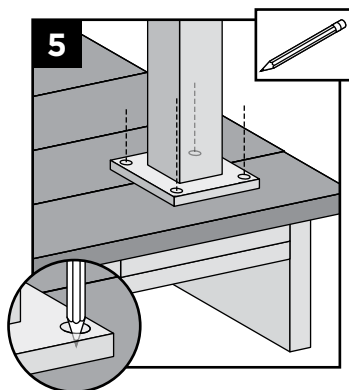
## Line Post Installation



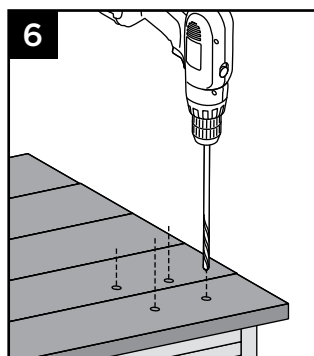
3. Install two 2" x 8" (5.1 cm x 20.3 cm) cross-bracing frames in between joists at 7-1/4" (18.4 cm). Attach a total of twelve 3" (7.6 cm) pressure-treated compatible screws (*not provided*).



4. Install two 2" x 8" (5.1 cm x 20.3 cm) boards as blocking under post location. Securely attach blocking using a total of twenty-four 3" (7.6 cm) pressure-treated compatible screws (*not provided*).

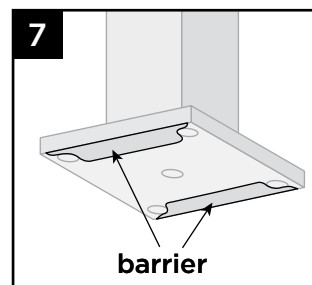


5. Using post a template, mark locations of holes.

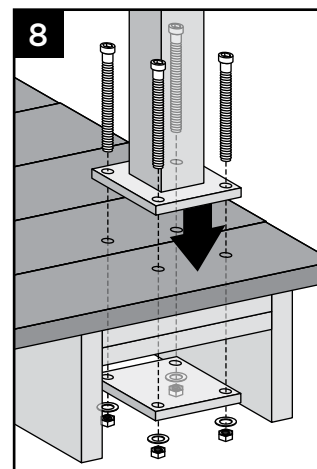


6. Drill through decking and blocking boards using 5/8" diameter bit (long drill bit will be required).

7. Insert the (2) stainless steel barrier strips under the mounting bolt holes. **BARRIER STRIPS ARE REQUIRED ONLY IF ATTACHING POST DIRECTLY TO PRESSURE-TREATED FRAMING.**



8. Attach posts using four 3/8" x 6" (1 cm x 15.2 cm) hex cap bolts, washers, and nuts, along with aluminum back plate on underside of blocking. If the project requires IRC compliance, this back plate **MUST** be installed under the decking to ensure this will meet code compliance. Reference SKU part number ALPOSTHWDECK for required hardware and aluminum plate. (Consult local code official for more information on IRC Compliance.)



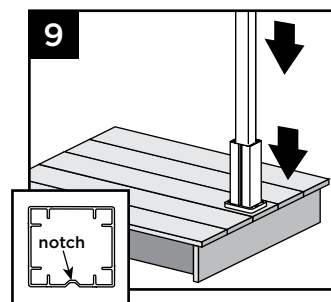
### NOTES:

- » Use composite shims or similar material (*not provided*) if posts are not plumb. Ensure that post is placed on decking surface so that it clears the rim joist and there is enough clearance on the underside blocking for the back plate to be installed.
- » Rim joist removed to show proper attachment of hardware.

### Install Guide Blocks

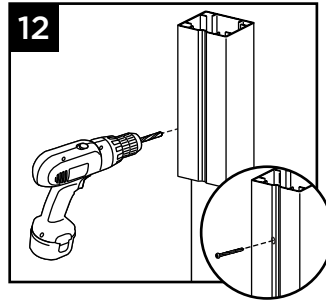
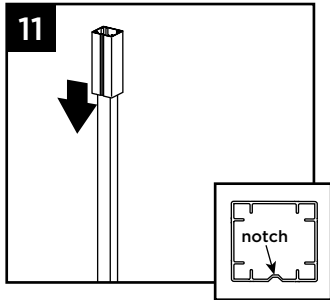
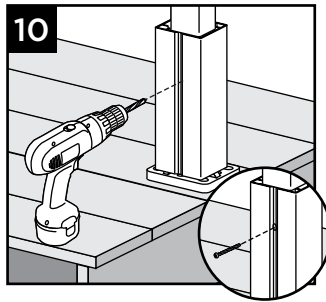
**NOTE:** Pre-drilling is not required but is optional for attachment of guide blocks to post. Use a drill bit slightly smaller in size than that of screw being installed.

9. Place or rest bottom aluminum guide block on bottom of post. Place guide on post so that notch is on a side that does not require railing to be attached.



# LOCATION AND INSTALLATION OF SURFACE MOUNT POST - DECKING/ CONTINUED

10. Attach bottom guide block using one 10 x 1" self-tapping screw (*provided*) in notch to lock guide block onto post.



11. Location of top guide block will vary slightly based on type and height of railing being installed. Determine this measurement and place top guide block in location where top bracket for desired railing would be approximately on center of the top railing bracket location.
12. Attach top guide block using one 10 x 1" self-tapping screw (*provided*) in notch to lock guide block onto post.

## Install Railing System of Choice

### NOTES:

- » Quantity of 18 #8-15 x 1-1/4" screws are provided to cover all types of Trex railing bracket installations (Transcend, Trex® Signature™, and Select). Thus, depending on the type railing being installed, you may have screws that are not used.
- » If using 6x6 post sleeves, attach designated railing brackets using #8-15 x 1-3/4" (4.4 cm) 316 stainless steel screws (*not provided*).
- » **Pre-drilling IS REQUIRED** when attaching brackets to designated posts. Use a 9/64" (3.6 mm) drill bit to pre-drill at specified locations according to instructions provided with railing kits.

**NOTE:** If installing Trex Deck Lighting on the posts, drill hole through support blocks to allow wiring for lights to be below the surface of the decking.

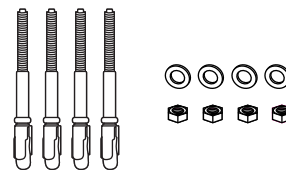
# LOCATION AND INSTALLATION OF IRC-APPROVED POST MOUNTS - CONCRETE

## IMPORTANT NOTES:

- » **INSTALLATION SHOWN HERE IS FOR IRC APPROVED APPLICATIONS ONLY.**
- » **MAKE SURE CONCRETE IS LEVEL BEFORE INSTALLING POSTS.**
- » **ALWAYS REFER TO YOUR LOCAL BUILDING CODE OFFICIAL PRIOR TO INSTALLING ANY RAILING SYSTEM TO ENSURE ALL CODE AND SAFETY REQUIREMENTS ARE MET. TREX CANNOT BE HELD RESPONSIBLE FOR IMPROPER OR NON-RECOMMENDED INSTALLATIONS.**
- » **CANNOT BE USED WITH TREX TRANSCEND COCKTAIL RAILING.**
- » See page 58 for sku information.

## SKU ALPOSTHWCONC (this SKU SOLD SEPARATELY)

- » (4) 3/8" x 3-3/4" (10 mm x 95 mm) Expansion anchor
- » (4) Flat washers
- » (4) Hex nuts

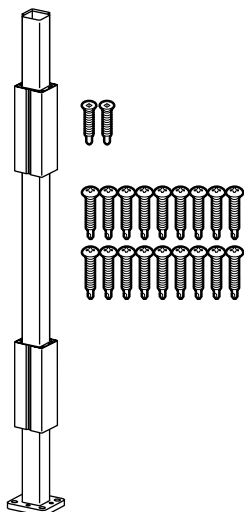


## TOOLS NEEDED

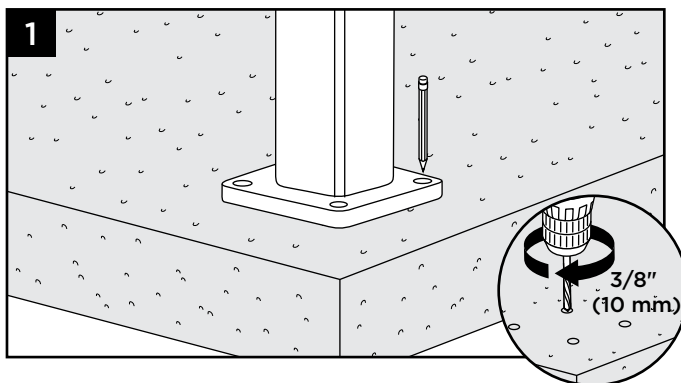
- » Hammer
- » Drill and/or screw gun
- » 3/8" (10 mm) drill bit for concrete

## PARTS

- » (1) Post mount
- » (2) Guide blocks
- » (18) #8-15 x 1-1/4" (32 mm) Screws
- » (2) 10 x 1" (25 mm) Self-tapping screws

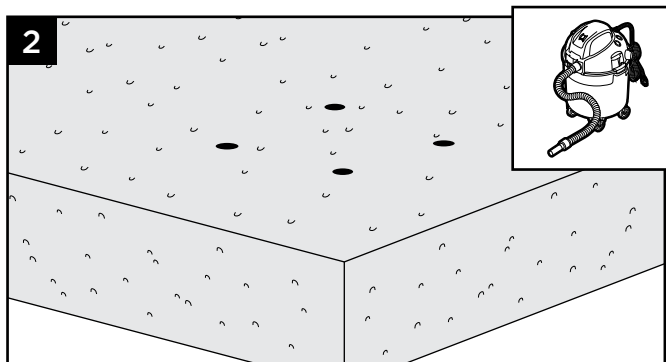


## Pre-drill Holes



1. Using post as a template, mark locations of the four holes and drill into concrete at least 2-5/8" (66.7 mm) using a 3/8" (10 mm) masonry bit.

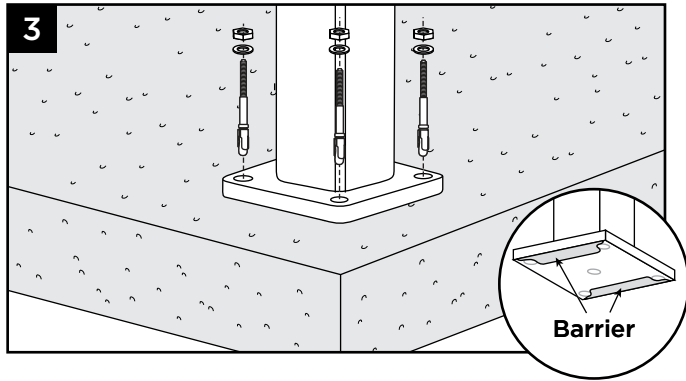
**NOTE:** You can either set drill bit to correct depth on drill or mark drill bit with tape at required dimension to ensure all holes are drilled at the correct depth.



2. Clean out holes to remove all concrete dust.



## LOCATION AND INSTALLATION OF POST MOUNTS - CONCRETE/CONTINUED



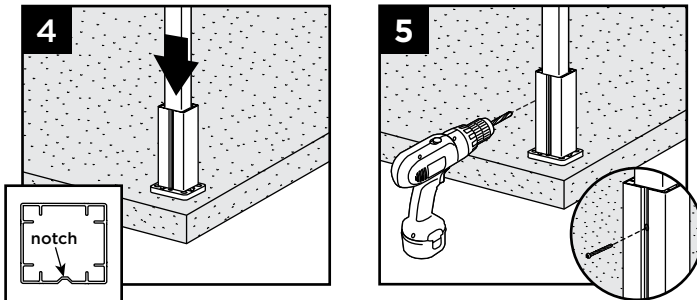
3. Insert the (2) stainless steel barrier strips under the mounting bolt holes. Use appropriate shims if posts are not plumb. Secure post mount with the four expansion anchors, washers and nuts.

**NOTE:** When using hammer to tap anchors in place, keep the threaded nut at the top of the anchor in order to not damage the threads.

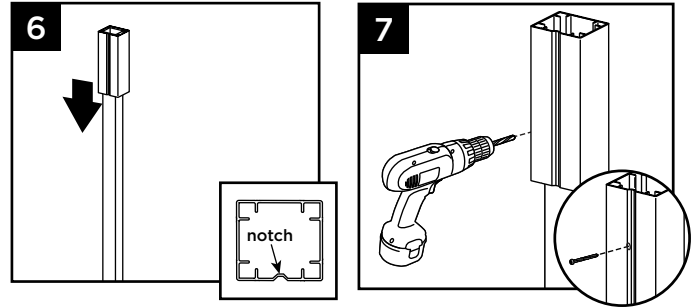
**NOTE:** Recommended torque for anchors is 20 ft-lbs.

#### Install Guide Blocks

**NOTE:** Pre-drilling is not required but is optional for attachment of guide blocks to post. Use a drill bit slightly smaller in size than that of screw being installed.



4. Place or rest bottom aluminum guide block on bottom of post. Place guide on post so that notch is on a side that does not require railing to be attached.
5. Attach bottom guide block using one 10 x 1" (25 mm) self-tapping screw (provided) in notch to lock guide block onto post.



6. Location of top guide block will vary slightly based on type and height of railing being installed. Determine this measurement and place top guide block in location where top bracket for desired railing would be approximately on center of the top railing bracket location.
7. Attach top guide block using one 10 x 1" (25 mm) self-tapping screw (provided) in notch to lock guide block onto post.

#### Install Railing System of Choice

##### IMPORTANT NOTES:

- » A quantity of 18 #8-15 x 1-1/4" screws are provided to cover all types of Trex railing bracket installations (Transcend, Trex® Signature™ and Select). Therefore, depending on the type railing being installed, you may have screws that are not used.
- » **Pre-drilling IS REQUIRED** when attaching brackets to designated posts. Use a 9/64" (3.6 mm) drill bit to pre-drill at specified locations according to instructions provided with railing kits.
- » If using 6x6 post sleeves, attach designated railing brackets using #8-15 x 1-3/4" (44 mm) 316 stainless steel screws (not provided).

**NOTE:** If installing Trex lighting on the posts, drill hole through support blocks to allow wiring for lights to be below the surface of the decking.

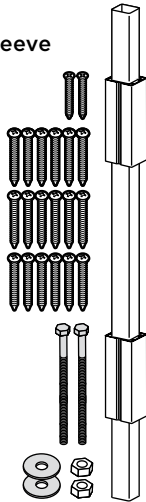


# HOW TO INSTALL JOIST MOUNT POSTS

ALL INSTRUCTIONS BELOW ARE FOR METAL POSTS ONLY; NO PRESSURE-TREATED POSTS ARE TO BE USED FOR THESE INSTRUCTIONS.

## Joist Mount Post for Trex Composite Post Sleeve SKU CPJMNTPOST63

- » (1) Joist Mount Post
- » (2) Guide blocks
- » (2) 10 x 1" (2.5 cm) Screws
- » (18) #8-15 x 1-1/4" (3.2 cm) Screws
- » (2) 1/2" x 8" Bolts, Washers, & Nuts

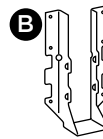
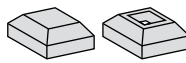


## Trex Joist Mount Post for Trex® Signature™ Railing SKU XXJMNTPOST63

XX denotes color: (BK-Black, BZ-Bronze, WT-White)

- » (1) Joist Mount Post
- » (2) 1/2" x 8" Bolts, Washers, & Nuts\*
- » (1) Post Cap
- » (1) Post Skirt

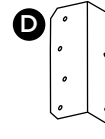
\*NOTE: bolt heads, washers, and nuts are color matched to joist mount post color



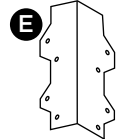
Simpson LUS28Z\*\* (or similar)



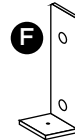
Simpson DTT2Z\*\*



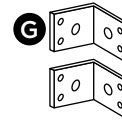
Simpson ML26Z\*\* (or similar)



Simpson L70Z\*\* (or similar)



Trex® Signature™ Fascia Mount Kit SKU - XXFMNTWOOD



Trex Fascia Mount Corner Bracket Kit (Brackets, Bolts, Nuts, Washers, & Screws) SKU - XXCORNERFMNTWOOD

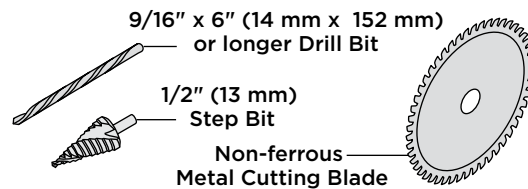
XX denotes color BK-Black, BZ-Bronze, WT-White

## GENERAL GUIDELINES

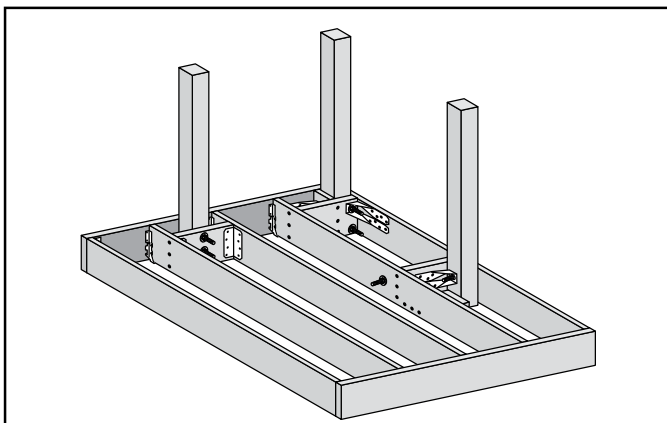
- » **Code-Approved Joist Mount Post Applications:**
  - 30" or less deck height - Code approval not applicable
  - IRC Compliant - Yes
  - IBC Compliant - No
- » Minimum framing is 2"x 8" (51 mm x 203 mm). (Ensure all structural brackets are sized appropriately for framing.)
- » Follow all structural bracket manufacturer's guidelines for fastener selection and corrosion protection requirements.
- » Maximum OC framing is 16" (406 mm).
- » This post is designed to cut-to-length and will accommodate up to 42" (1067 mm) stair railing on 2" x 12" (51 mm x 305 mm) framing.

- » Included template works for most, but not all, applications. Review instructions carefully prior to drilling holes, making sure to center holes on post.
- » \*\*Simpson structural brackets are not included with joist mount posts and must be purchased separately.

## HELPFUL TOOLS

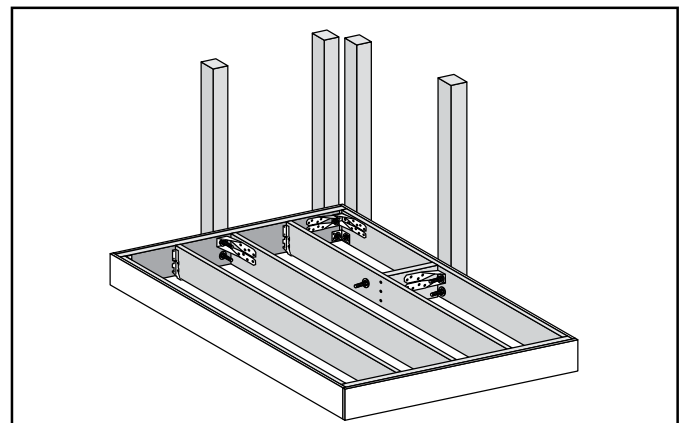


## Wood Frame (Inside Mount) Overview



**NOTE:** To allow fascia to sit flat against framing, route/trim out back side of fascia to allow for fit over bolt locations.

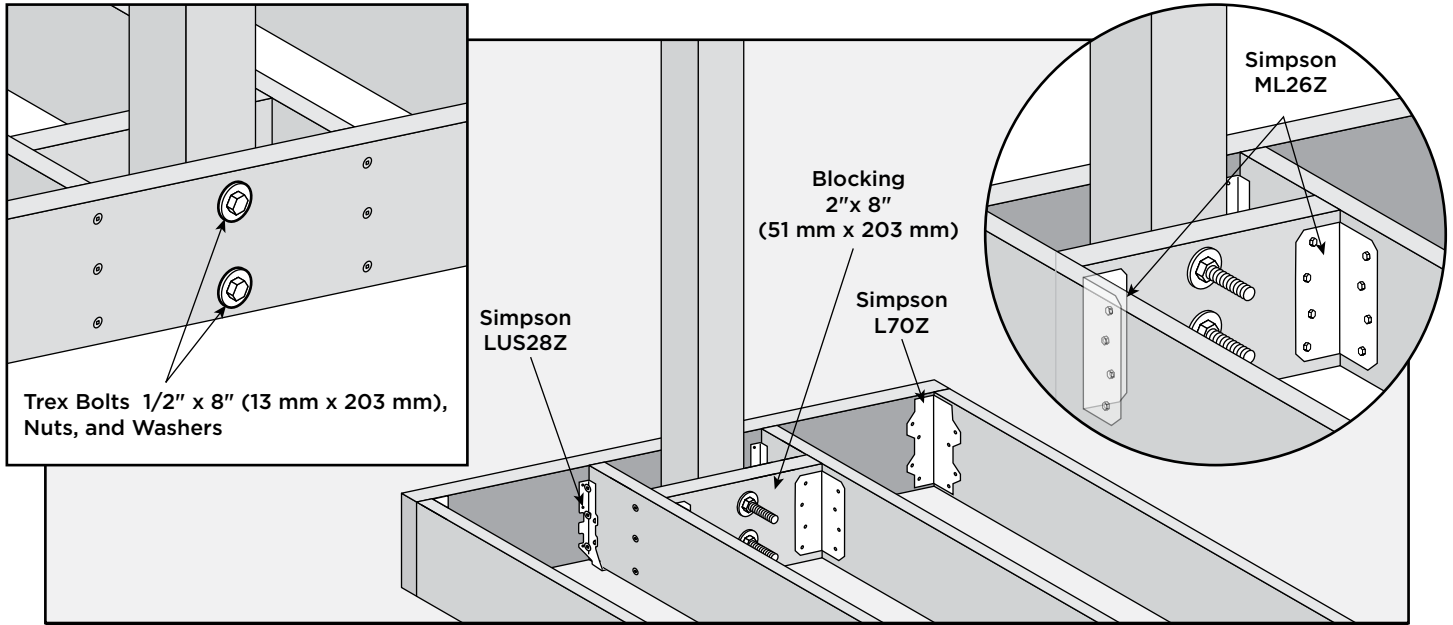
## Wood Frame (Fascia Mount) Overview



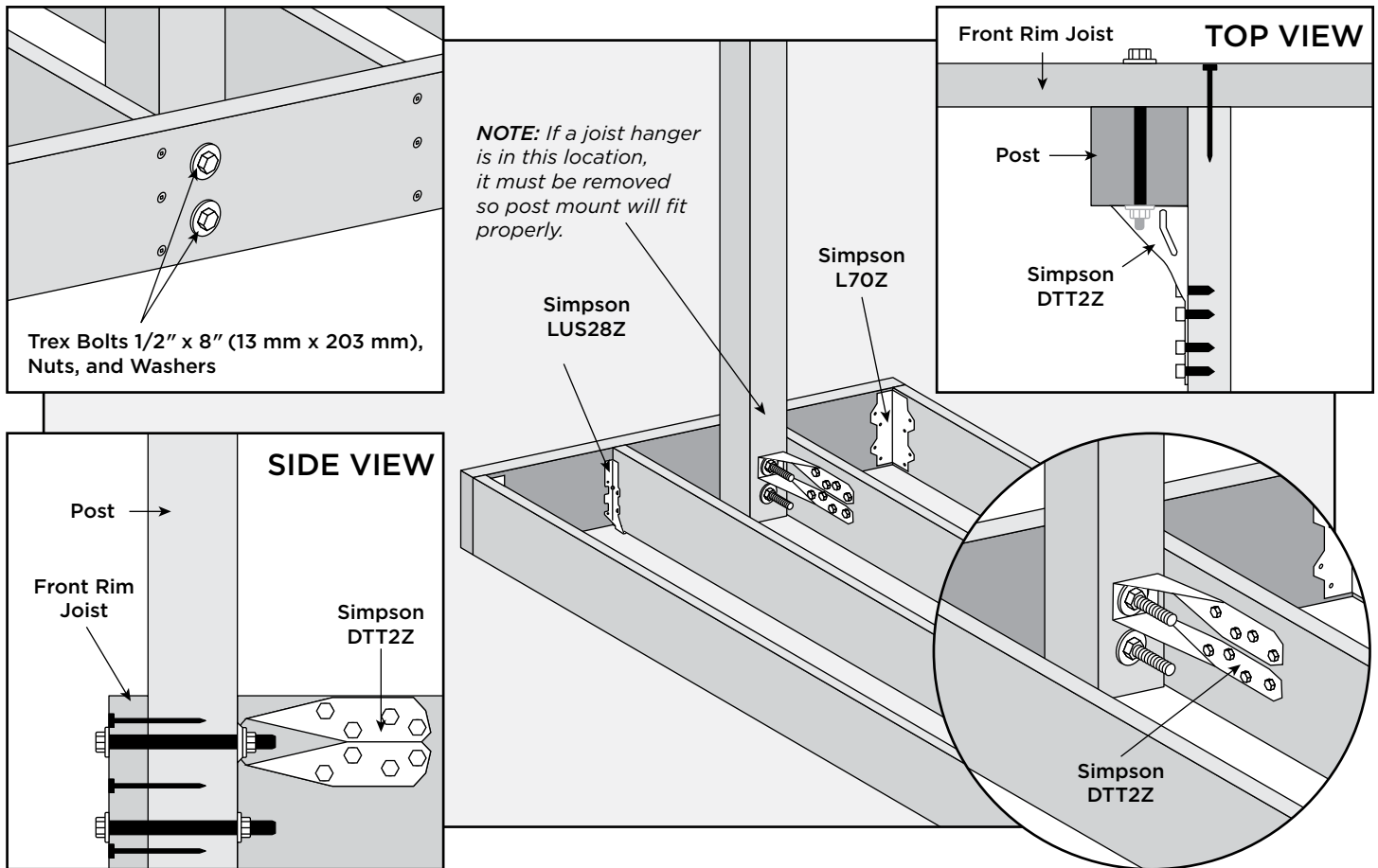
### NOTES:

- » Trex fascia should be installed prior to installing any outside joist post mounts.
- » Can only be used with Trex® Signature™ 6' or less railing spans.

## INSIDE MOUNT (FRONT RIM PLATE - BETWEEN JOISTS WITH BLOCKING)

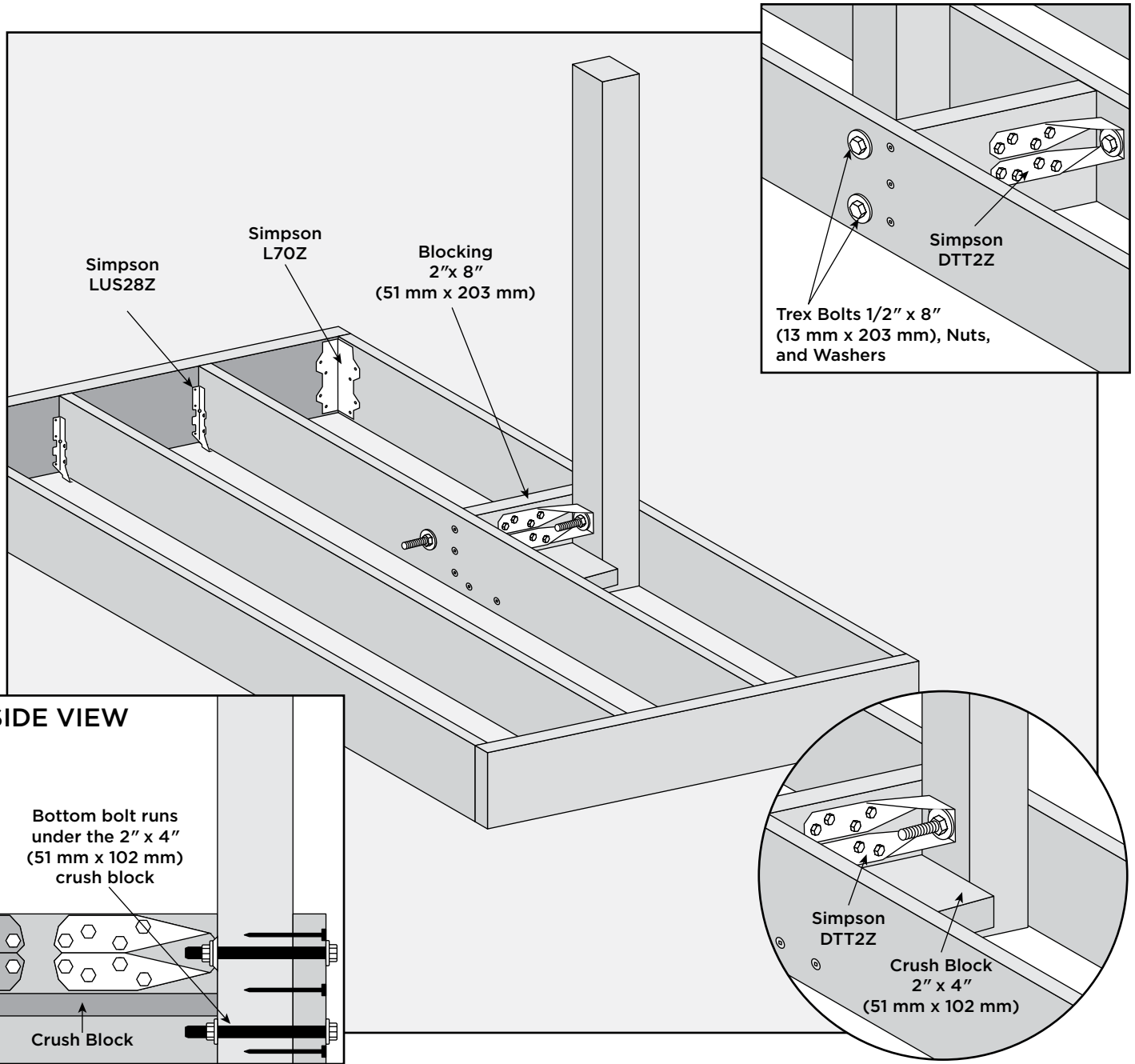


## INSIDE MOUNT (FRONT RIM PLATE - NEXT TO JOIST)



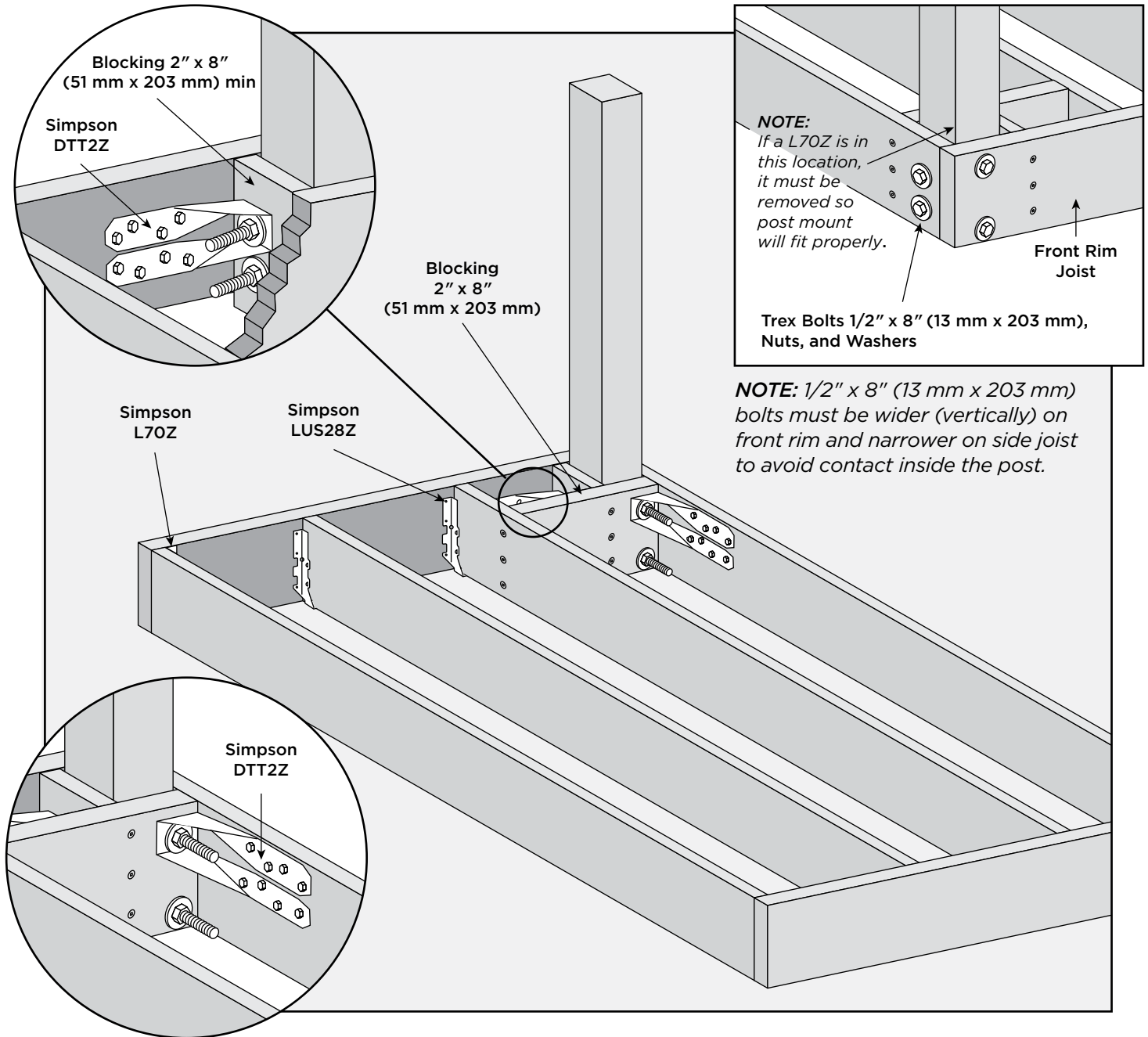
# INSIDE MOUNT (SIDE JOIST)

- » TREX SUPPLIES (2) HG 1/2" X 8" (13 MM X 203 MM) BOLTS, NUTS, AND WASHERS.
- » CUSTOMER MUST SUPPLY ADDITIONAL HG 1/2" X 8" (13 MM X 203 MM) BOLTS, NUTS, AND WASHERS.



## INSIDE MOUNT (CORNER)

- » TREX SUPPLIES (2) HG 1/2" X 8" (13 MM X 203 MM) BOLTS, NUTS, AND WASHERS.
- » CUSTOMER MUST SUPPLY ADDITIONAL HG 1/2" X 8" (13 MM X 203 MM) BOLTS, NUTS, AND WASHERS.

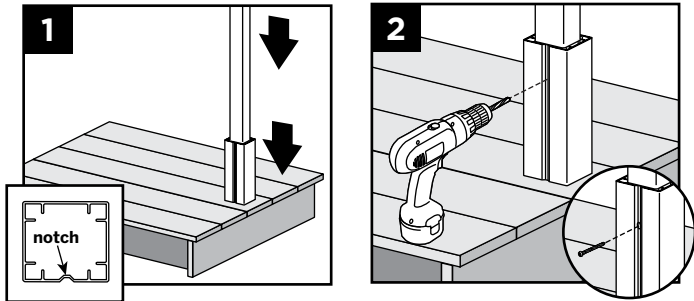




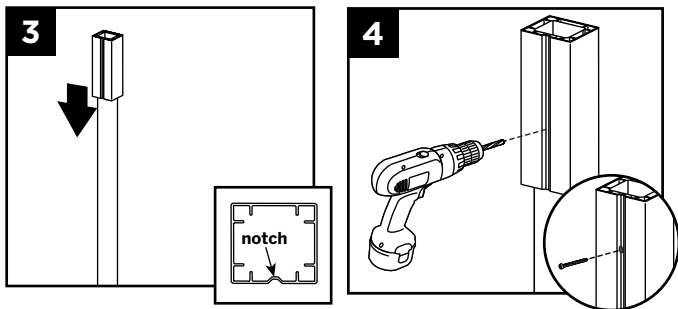
# COMPOSITE POST SLEEVE APPLICATIONS

## Installation of Guide Blocks and Railing

**NOTE:** Pre-drilling is not required but is optional for attachment of guide blocks to post. Use a drill bit slightly smaller in size than that of screw being installed.



1. Place or rest bottom aluminum guide block on bottom of post. Place guide on post so that notch is on a side that does not require railing to be attached.
2. Attach bottom guide block using one 10 x 1" self-tapping screw (provided) in notch to lock guide block onto post.

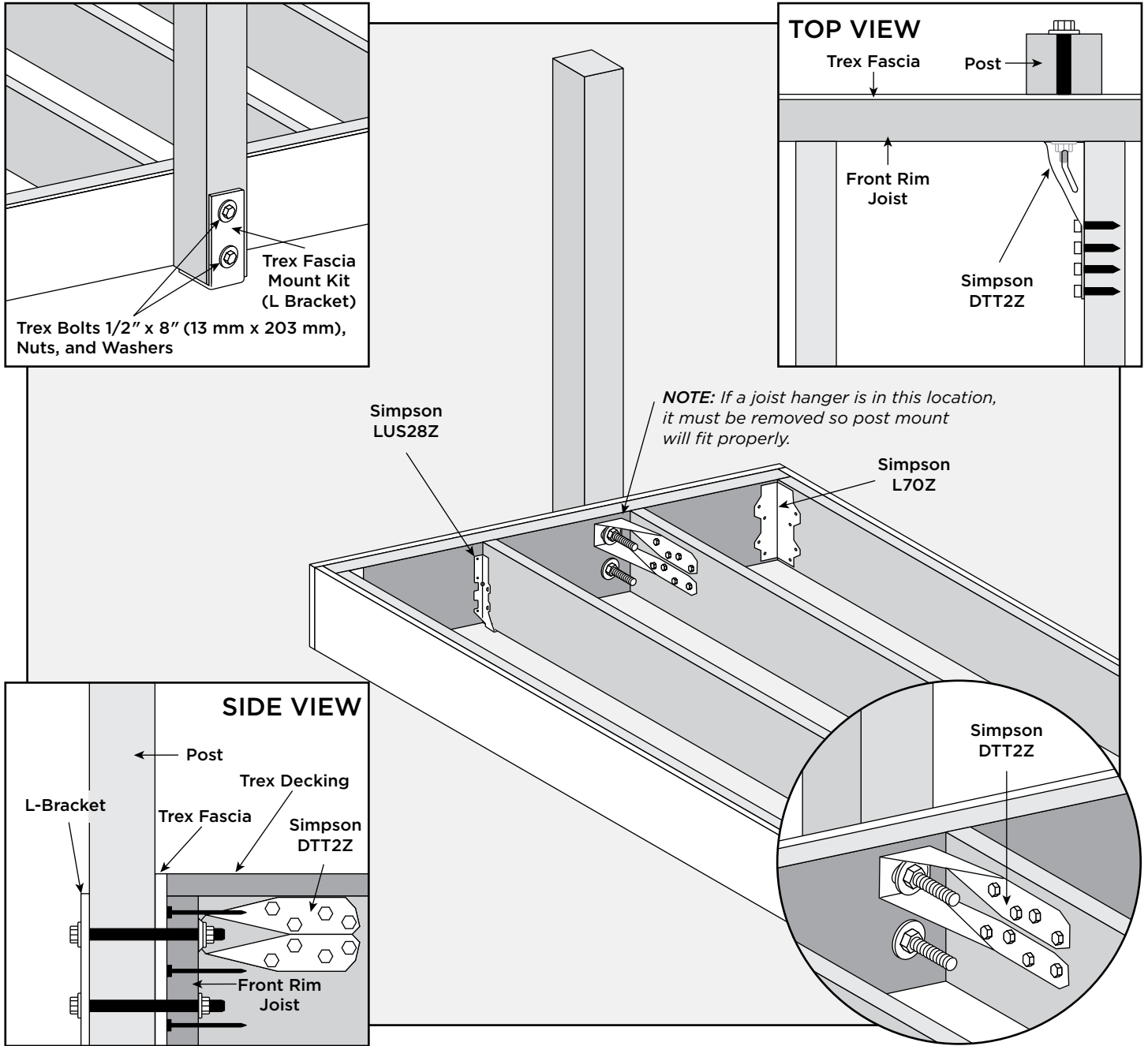


3. Location of top guide block will vary slightly based on type and height of railing being installed. Determine this measurement and place top guide block in location where top bracket for desired railing would be approximately on center of the top railing bracket location.
4. Attach top guide block using one 10 x 1" self-tapping screw (provided) in notch to lock guide block onto post.

- » If using the joist mount post with composite post sleeve, a quantity of 18 #8-15 x 1-1/4" screws are provided to cover all types of Trex railing bracket installations (Trex® Signature™, Transcend and Select). Therefore, depending on the type railing being installed, you may have screws that are not used.
- » If using 6x6 post sleeves, attach designated railing brackets using #8-15 x 1-3/4" (4.4 cm) 316 stainless steel screws (not provided).
- » **Pre-drilling IS REQUIRED** when attaching brackets to designated posts. Use a 9/64" (3.6 mm) drill bit to predrill at specified locations according to instructions provided with railing kits.

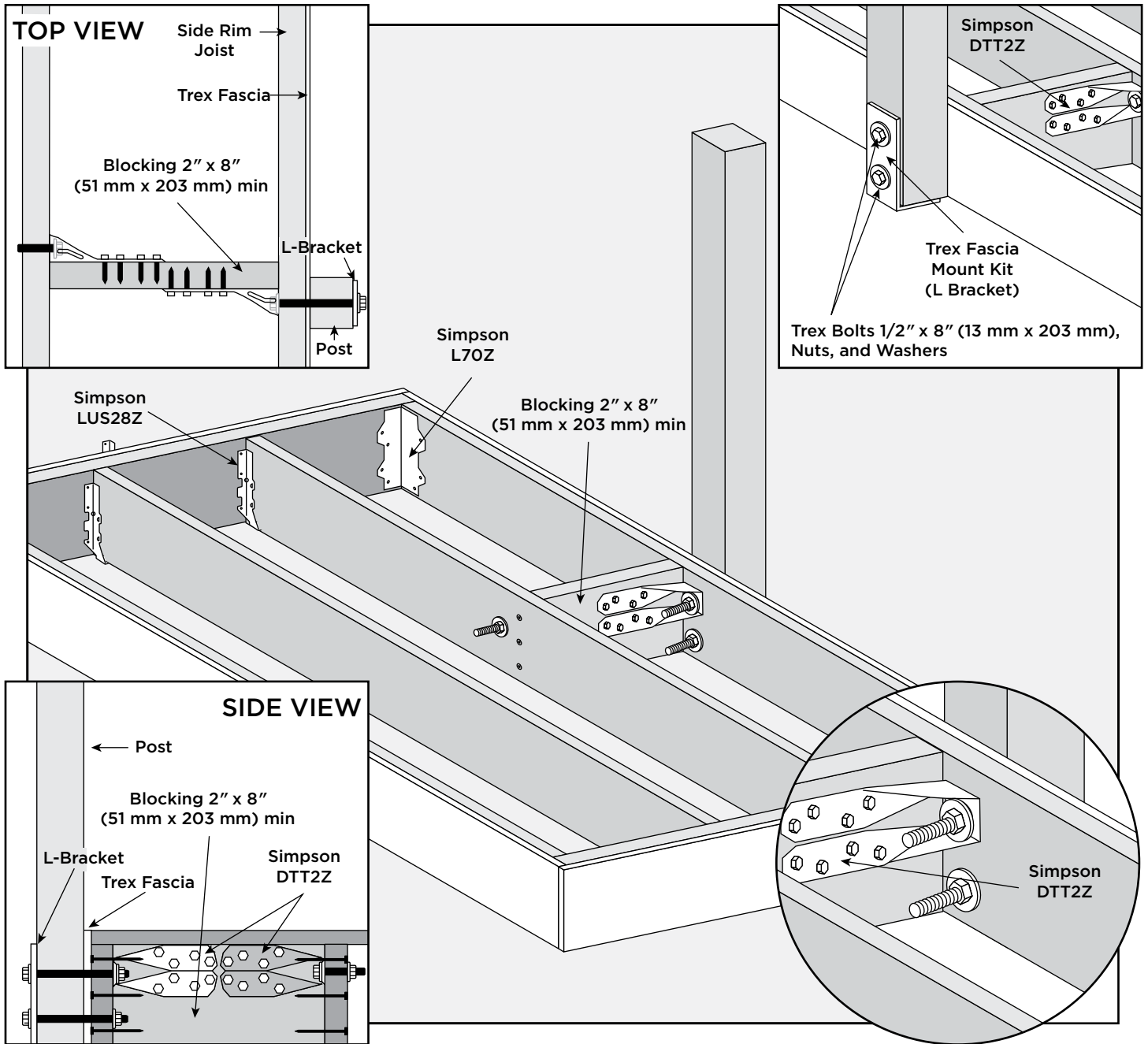
## FASCIA MOUNT (FRONT RIM PLATE - NEXT TO JOIST)

- » FOR USE WITH TREX® SIGNATURE™ 6' RAILING SECTIONS ONLY.
- » TREX SUPPLIES (2) HG 1/2" X 8" (13 mm x 203 mm) BOLTS, NUTS, AND WASHERS.



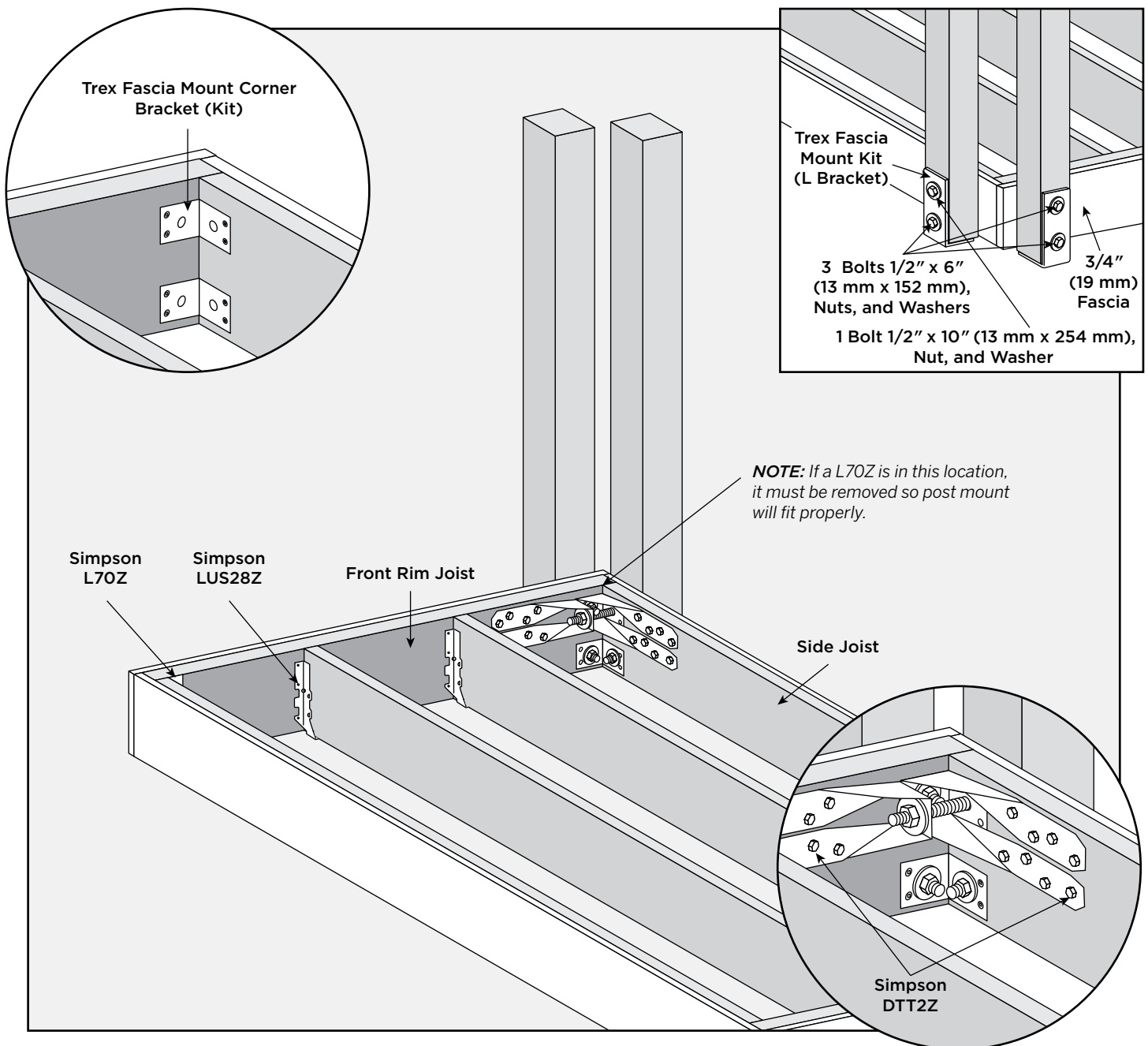
# FASCIA MOUNT (SIDE JOIST - WITH BLOCKING)

- » TREX SUPPLIES (2) HG 1/2" X 8" (13 mm x 203 mm) BOLTS, NUTS, AND WASHERS.
- » CUSTOMER MUST SUPPLY ADDITIONAL HG 1/2" X 8" (13 mm x 203 mm) BOLTS, NUTS, AND WASHERS.



## FASCIA MOUNT (OUTSIDE FRAME CORNER)

- » 3/4" (19 MM) FASCIA MUST BE USED, OR BOLTS MUST BE CUT DOWN.
- » INSTALL POST TIGHTLY ON RIM JOIST FIRST - NUTS WILL BE INACCESSIBLE LATER.
- » MUST USE TREX FASCIA MOUNT CORNER BRACKET KIT.



1. Install post on rim joist and fully tighten using Simpson DTT2Z on top bolt.
2. Run 10" (254 mm) bolt through gap in existing Simpson DTT2Z and tighten into second DTT2Z.
3. Install bottom bolt.

### TREX® SIGNATURE™ RAILING APPLICATIONS

#### Installation of Railing

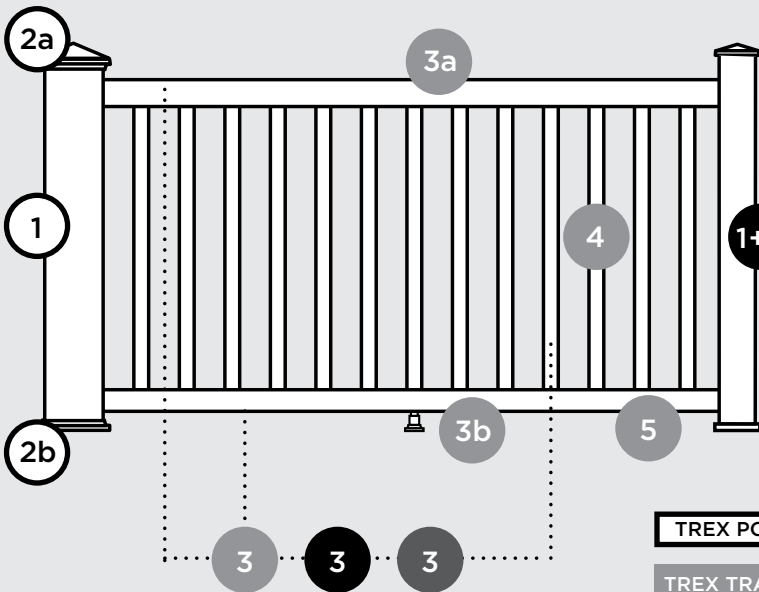
1. All required hardware is included with Trex® Signature™ railing, follow Trex® Signature™ railing instructions for complete installation requirements.





# RAILING




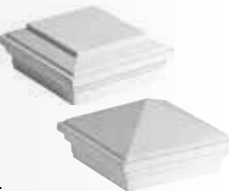





## RAILING— a lot easier than it looks

Selecting the right railing is pretty easy, but each Trex railing line is a little different. Please read the system descriptions at the top of each product section so you can choose exactly which railing components you need to complete your design. For additional guidance, the chart to the left depicts each railing system's components.

## Trex Post Sleeves, Caps & Skirts

○ These components can be used as Steps 1 & 2 for all Trex railing lines.

| STEP   | COMPONENT  | DESCRIPTION   | ITEM NUMBER   |
|--|--|---|---------------|
| 1  | Post Sleeve  | 4" x 4" x 39" Post Sleeve<br><i>[4.45 in x 4.45 in x 40 in (113 mm x 113 mm x 101 cm) external dimensions]</i>  | XX040439APS   |
|  |  | 4" x 4" x 108" Post Sleeve<br><i>[4.45 in x 4.45 in x 108 in (113 mm x 113 mm x 274 cm) external dimensions]</i>  | XX0404108APS  |
|  |  | 6" x 6" x 39" Post Sleeve<br><i>[5.5 in x 5.5 in x 39 in (139 mm x 139 mm x 990 mm) external dimensions]</i>  | WT060639APS   |
|  |  | 6" x 6" x 108" Post Sleeve<br><i>[5.5 in x 5.5 in x 108 in (139 mm x 139 mm x 274 cm) external dimensions]</i>  | WT0606108APS  |
| Each 4x4 and 6x6 post sleeve fits over a 4x4 pressure treated post or equivalent post mount. |  |   |               |
| 2a   | Post Sleeve Cap  | Flat 4" x 4" Post Sleeve Cap  | PXXSQCAP4X4   |
|  |  | Pyramid 4" x 4" Post Sleeve Cap<br><i>[5.55 in x 4.55 in (115 mm x 115 mm) internal dimensions]</i>   | PXXPYCAP4X4   |
|  |  | Flat 6" x 6" Post Sleeve Cap  | PWTSQCAP6X6   |
|  |  | Pyramid 6" x 6" Post Sleeve Cap<br><i>[5.55 in x 5.55 in (140 mm x 140 mm) internal dimensions]</i>   | PWTPYCAP6X6   |
| Also available with LED lighting. See page 13.   |  |    |               |
| 2b   | Post Sleeve Skirt  | 4" x 4" Post Sleeve Skirt<br><i>[4.55 in x 4.55 in (115 mm x 115 mm) internal dimensions]</i>   | PXXSKIRT4X4   |
|  |  | 6" x 6" Post Sleeve Skirt<br><i>[5.55 in x 5.55 in (140 mm x 140 mm) internal dimensions]</i>   | PWTSKIRT6X6   |
|           |  |   |               |
| ACCESSORY  | Surface Mount Post<br>(for use with 4x4 composite post sleeve) | Aluminum Surface Mount Post for 36" (914 mm) Rail Height (1/box)<br><i>Actual external dimensions of insert: 3.75 in x 3.75 in x 7 in (95 mm x 95 mm x 177 mm)</i>        | ALPOSTMOUNT36 |
|  |  | Aluminum Surface Mount Post for 42" (1066 mm) Rail Height (1/box)<br><i>Actual external dimensions of insert: 3.75 in x 3.75 in x 7 in (95 mm x 95 mm x 177 mm)</i>       | ALPOSTMOUNT42 |
|  |  | Surface Mount Post Hardware—Wood (10 kits/box)  | ALPOSTHWDECK  |
| ACCESSORY  | Joist Mount Post<br>(for use with 4x4 composite post sleeve)   | Aluminum Joist Mount Post for use with all Trex railing heights (1/box)<br><i>Actual external dimensions of insert: 3.75 in x 3.75 in x 7 in (95 mm x 95 mm x 177 mm)</i> | CPJMNTPOST63  |
|  |  |    |               |
| ACCESSORY  | Foot Block   | Adjustable Foot Blocks  | XXFTBLKPC     |
|           |  |   |               |

XX = COLOR PREFIX: WT Classic White    FP Fire Pit    RS Rope Swing    VL Vintage Lantern  
BK Charcoal Black    GP Gravel Path    TH Tree House

# Trex® Signature™ Aluminum Railing

● Choose either aluminum posts or composite post sleeves, caps and skirts for Steps 1 & 2. Pair with a rail & baluster kit (Step 3).

| STEP | COMPONENT                      | DESCRIPTION  | ITEM NUMBER    |
|------|--------------------------------|--|----------------|
| 1+2  | Aluminum Post with Cap & Skirt | 2.5" x 2.5" x 37" Post—Horizontal (IRC Compliant)<br><i>[2.5 in x 2.5 in x 37 in (63 mm x 63 mm x 939 mm) actual dimensions]</i>           | XXAL252537RCAP |
|      | Aluminum Crossover Post        | 2.5" x 2.5" x 43" Post—Horizontal (IRC Compliant)<br><i>[2.5 in x 2.5 in x 43 in (63 mm x 63 mm x 109 cm) actual dimensions]</i>           | XXAL252543RCAP |
|      |                                | 2.5" x 2.5" x 53" Post—Stair (IRC Compliant)<br><i>[2.5 in x 2.5 in x 53 in (63 mm x 63 mm x 134 cm) actual dimensions]</i>                | XXAL252553RCAP |
|      |                                | 2.5" x 2.5" x 36" Crossover Post—Horizontal (IRC Compliant)<br><i>[2.5 in x 2.5 in x 36 in (63 mm x 63 mm x 914 mm) actual dimensions]</i> | XXAL252536RCCP |
|      |                                | 2.5" x 2.5" x 42" Crossover Post—Horizontal (IRC Compliant)<br><i>[2.5 in x 2.5 in x 42 in (63 mm x 63 mm x 106 cm) actual dimensions]</i> | XXAL252542RCCP |
|      | IRC Surface Mount Hardware     | Aluminum Mounting Plate & Hardware<br><i>For use with all Trex 2.5" Surface Mount Aluminum Posts</i>                                       | ALPOSTHWDECK   |
|      |                                | Concrete Post Mount Kit  | ALPOSTHWCONC   |

## Aluminum Joist Mount Post with Cap & Skirt

Trex® Signature™ Fascia Mount Kit  
(for use with wood framing)

2.5" x 2.5" x 63"  
*[2.5 in x 2.5 in x 63 in (63 mm x 63 mm x 160 cm) actual dimensions]*

XXJMNTPOST63

For use with Joist Mount Trex® Signature™ Railing Post only.

XXFMNTWOOD

| STEP   | DESCRIPTION  | ITEM NUMBER   | DESCRIPTION  | ITEM NUMBER    |
|--|--|---|--|----------------|
| 3  | <b>Rail &amp; Baluster Kit</b><br>(Includes Top Rail, Bottom Rail, Balusters, Mounting & Support Hardware) |   | <b>Rail &amp; Rod Kit</b><br>(Includes Top Rail, Bottom Rail, Rods, Mounting & Support Hardware) |                |
|  | 6' x 36" Rail Kit w. Square Balusters—Horizontal   | XXAS0636HRK   | 6' x 36" Black Frame & Platinum Rod Railing—Horizontal   | BKPLROD0636HRK |
|  | 6' x 36" Rail Kit w. Square Balusters—Stair  | XXAS0636SRK   | 6' x 36" Black Frame & Platinum Rod Railing—Stair  | BKPLROD0636SRK |
|  | 8' x 36" Rail Kit w. Square Balusters—Horizontal   | XXAS0836HRK   | 8' x 36" Black Frame & Platinum Rod Railing—Horizontal   | BKPLROD0836HRK |
|  | 8' x 36" Rail Kit w. Square Balusters—Stair  | XXAS0836SRK   | 8' x 36" Black Frame & Platinum Rod Railing—Stair  | BKPLROD0836SRK |
|  | 6' x 42" Rail Kit w. Square Balusters—Horizontal   | XXAS0642HRK   | 6' x 42" Black Frame & Platinum Rod Railing—Horizontal   | BKPLROD0642HRK |
|  | 6' x 42" Rail Kit w. Square Balusters—Stair  | XXAS0642SRK   | 6' x 42" Black Frame & Platinum Rod Railing—Stair  | BKPLROD0642SRK |
|  | 8' x 42" Rail Kit w. Square Balusters—Horizontal   | XXAS0842HRK   | 8' x 42" Black Frame & Platinum Rod Railing—Horizontal   | BKPLROD0842HRK |
|  | 8' x 42" Rail Kit w. Square Balusters—Stair  | XXAS0842SRK   | 8' x 42" Black Frame & Platinum Rod Railing—Stair  | BKPLROD0842SRK |
|  | 6' x 36" Rail Kit w. Round Balusters—Horizontal  | XXAR0636HRK   | 6' x 36" Bronze Frame & Platinum Rod Railing—Horizontal  | BZPLROD0636HRK |
|  | 6' x 36" Rail Kit w. Round Balusters—Stair   | XXAR0636SRK   | 6' x 36" Bronze Frame & Platinum Rod Railing—Stair   | BZPLROD0636SRK |
|  | 8' x 36" Rail Kit w. Round Balusters—Horizontal  | XXAR0836HRK   | 8' x 36" Bronze Frame & Platinum Rod Railing—Horizontal  | BZPLROD0836HRK |
|  | 8' x 36" Rail Kit w. Round Balusters—Stair   | XXAR0836SRK   | 8' x 36" Bronze Frame & Platinum Rod Railing—Stair   | BZPLROD0836SRK |
|  | 6' x 42" Rail Kit w. Round Balusters—Horizontal  | XXAR0642HRK   | 6' x 42" Bronze Frame & Platinum Rod Railing—Horizontal  | BZPLROD0642HRK |
|  | 6' x 42" Rail Kit w. Round Balusters—Stair   | XXAR0642SRK   | 6' x 42" Bronze Frame & Platinum Rod Railing—Stair   | BZPLROD0642SRK |
|  | 8' x 42" Rail Kit w. Round Balusters—Horizontal  | XXAR0842HRK   | 8' x 42" Bronze Frame & Platinum Rod Railing—Horizontal  | BZPLROD0842HRK |
|  | 8' x 42" Rail Kit w. Round Balusters—Stair   | XXAR0842SRK   | 8' x 42" Bronze Frame & Platinum Rod Railing—Stair   | BZPLROD0842SRK |
|  | 6' x 36" Assembled Panel (Square)—Horizontal*  | BKAS0636HRPNL                                       | 6' x 36" Black Frame & Black Rod Railing—Horizontal  | BKBKROD0636HRK |
|  | 8' x 36" Assembled Panel (Square)—Horizontal*  | BKAS0836HRPNL                                       | 6' x 36" Black Frame & Black Rod Railing—Stair   | BKBKROD0636SRK |
|  | 6' x 42" Assembled Panel (Square)—Horizontal*  | BKAS0642HRPNL                                       | 8' x 36" Black Frame & Black Rod Railing—Horizontal  | BKBKROD0836HRK |
| 8' x 42" Assembled Panel (Square)—Horizontal*        | BKAS0842HRPNL  | 8' x 36" Black Frame & Black Rod Railing—Stair      | BKBKROD0836SRK   |                |
| *Does not include hardware                           |  | 6' x 42" Black Frame & Black Rod Railing—Horizontal | BKBKROD0642HRK   |                |
| Dimensions above are actuals. See below for metrics. |  | 6' x 42" Black Frame & Black Rod Railing—Stair      | BKBKROD0642SRK   |                |
| 6' Upper Rail = 73.5" (187cm) actual length          |  | 8' x 42" Black Frame & Black Rod Railing—Horizontal | BKBKROD0842HRK   |                |
| 8' Upper Rail = 97.5" (248 cm) actual length         |  | 8' x 42" Black Frame & Black Rod Railing—Stair      | BKBKROD0842SRK   |                |
| 6' Lower Rail = 71.5" (182 cm) actual length         |  |   |  |                |
| 8' Lower Rail = 95.5" (243 cm) actual length         |  |   |  |                |



## ACCESSORY Trex® Signature™ Accessories



Trex® Signature™ Bracket Templates  
HZ Bracket Template  
(36" and 42") - Composite Sleeve  
HZ Bracket Template  
(36" and 42") - 2.5" Aluminum Post

SIGTEMP4X4SLEEVE

SIGTEMPIRCPOST

Cocktail Rail Bracket (10/pack)  
Fixed Bracket—Horizontal (4/pack)  
Fixed Bracket—Stair (4/pack)  
Swivel Bracket—Horizontal (2/pack-1 top, 1 bottom)  
Swivel Bracket—Stair (2/pack-1 top, 1 bottom)  
2.5" Horizontal Crossover Bracket (1/pack)  
2.5" Swivel Crossover Bracket—Stair (1/pack)  
Compound Swivel Bracket (2/pack-1 top, 1 bottom)  
Aluminum Foot Block  
Touch-up Pen

XXCTBKAL10PK  
XXFHBKTAL  
XXFSBKAL  
XXSWHBKTAL  
XXSWSBKAL  
XX25FHCBKTAL  
XX25RCSWSCBKAL  
XXCPDSWBKTAL  
XXALFTBLK  
XXTOUCHUPPEN

XX = COLOR PREFIX:

BK Charcoal Black

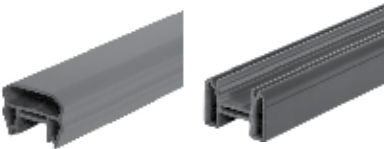
BZ Bronze

WT Classic White

Aluminum railing has a textured finish.

# Trex Transcend® Railing

- Transcend is either a 5-step or 3-step process. Choose Trex post sleeves, caps and skirts (Steps 1 & 2). Then choose each component separately for a custom design (5-step).

| STEP | COMPONENT   | DESCRIPTION  | ITEM NUMBER |
|------|---|--|-------------|
| 3a   | Top & Bottom Rails<br>In this step, two rails (1 top, 1 bottom) must be selected.   | 6' Crown Top Rail  | XXCROWNTR06 |
|      |   | 8' Crown Top Rail  | XXCROWNTR08 |
| 3b   | <br>Crown                      Universal | 6' Universal Top/Bottom Rail   | XXUNIVTBR06 |
|      |   | 8' Universal Top/Bottom Rail   | XXUNIVTBR08 |
|      |   | [6' Rail: 67.5 in (171 cm) actual length; 8' Rail: 91.5 in (232 cm) actual length] |             |

| 4 Balusters  |                       |  |
|--|-----------------------|--|
| See chart below for number of balusters needed to complete each railing section. |                       |  |
|  |                       | <ul style="list-style-type: none"> <li>Square Balusters for 36" Rail Height (16/pack) [1.418 in x 1.418 in x 30.375 in (36 mm x 36 mm x 771 mm) actual dimensions] XX020230SBK</li> <li>Square Balusters for 42" Rail Height (16/pack) [1.418 in x 1.418 in x 36.375 in (36 mm x 36 mm x 923 mm) actual dimensions] XX020236SBK</li> <li>Round Aluminum Balusters for 36" Rail Height (20/pack) [.75 in x 30.25 in (19 mm x 768 mm) actual dimensions] XXTA30RBK</li> <li>Round Aluminum Balusters for 42" Rail Height (20/pack) [.75 in x 36.25 in (19 mm x 920 mm) actual dimensions] XXTA36RBK</li> <li>Square Aluminum Balusters for 36" Rail Height (20/pack) [.75 in x 30.25 in (19 mm x 768 mm) actual dimensions] XXTA30SBK</li> <li>Square Aluminum Balusters for 42" Rail Height (20/pack) [.75 in x 36.25 in (19 mm x 920 mm) actual dimensions] XXTA36SBK</li> </ul> |
| <b>BALUSTER TYPE</b>   | <b>PER 6' SECTION</b> | <b>PER 8' SECTION</b>  |
| Square (Horizontal application)  | 13                    | 18   |
| Square (Stair application)   | 11                    | 15   |
| Aluminum (Horizontal application)  | 15                    | 20   |
| Aluminum (Stair application)   | 12                    | 16   |

Aluminum balusters are available in Charcoal Black, Classic White and Bronze only (BK, WT, BZ).

| 5 Accessory Infill Kit   |   |  |
|--|---|--|
| <ul style="list-style-type: none"> <li>» 2 Baluster Spacers</li> <li>» Adjustable Foot Block</li> <li>» Mounting Hardware</li> </ul> | <ul style="list-style-type: none"> <li>6' Accessory Infill Kit for Square Balusters—Horizontal XXSQHIK06</li> <li>6' Accessory Infill Kit for Square Balusters—Stair XXSQSIK06</li> <li>8' Accessory Infill Kit for Square Balusters—Horizontal XXSQHIK08</li> <li>8' Accessory Infill Kit for Square Balusters—Stair XXSQSIK08</li> <li>6' Accessory Infill Kit for Round Aluminum Balusters—Horizontal XXRDHIK06</li> <li>6' Accessory Infill Kit for Round Aluminum Balusters—Stair XXRDSIK06</li> <li>8' Accessory Infill Kit for Round Aluminum Balusters—Horizontal XXRDHIK08</li> <li>8' Accessory Infill Kit for Round Aluminum Balusters—Stair XXRDSIK08</li> <li>6' Accessory Infill Kit for Square Aluminum Balusters—Horizontal XXASBHIK06</li> <li>6' Accessory Infill Kit for Square Aluminum Balusters—Stair XXASBSIK06</li> <li>8' Accessory Infill Kit for Square Aluminum Balusters—Horizontal XXASBHIK08</li> <li>8' Accessory Infill Kit for Square Aluminum Balusters—Stair XXASBSIK08</li> <li>6' Glass Panel Accessory Kit [Glass panel mounting hardware; glass panel not included] XXGLIK06</li> </ul> |  |
| [6' Rail: 67.5 in (171 cm) actual length; 8' Rail: 91.5 in (232 cm) actual length]   |   |  |

| ACCESSORY                          |  |                   |
|------------------------------------|--|-------------------|
| <b>Trex Transcend® Accessories</b> | <ul style="list-style-type: none"> <li>Mounting Hardware for Cut Rails—Horizontal XXHZACCYKIT</li> <li>Mounting Hardware for Cut Rails—Stair XXSTACCYKIT</li> <li>Transcend RSB Bracket Pack—Horizontal (24/box) TSHBRACKET</li> <li>Transcend RSB Bracket Pack—Stair (24/box) TSSBRACKET</li> <li>0 Degree Rail Gasket Pack—Horizontal XX00HGASK</li> <li>0 Degree Rail Gasket Pack—Stair XX00SGASK</li> <li>22.5 Degree Gasket Pack XX22HGASK</li> <li>45 Degree Birdsmouth Gasket Pack (for 4x4) XX45RSBADAPK</li> <li>45 Degree Gasket Pack (for 6x6) WT45HGASK</li> </ul> |                   |
| Trex Transcend Bracket Template    | HZ Bracket Template (36" and 42") - Composite Sleeve   | TRANTEMP4X4SLEEVE |

|                    |                   |                |               |                           |
|--------------------|-------------------|----------------|---------------|---------------------------|
| XX = COLOR PREFIX: | WT Classic White  | FP Fire Pit    | RS Rope Swing | VL Vintage Lantern        |
|                    | BK Charcoal Black | GP Gravel Path | TH Tree House | BZ Bronze (aluminum only) |



# Trex Transcend® Railing

● Or simply choose a rail & baluster kit (3-step).


| STEP | COMPONENT   | DESCRIPTION   | ITEM NUMBER | COLOR      |
|------|---|---|-------------|------------|
| 3    | <b>Rail &amp; Baluster Kit Composite</b><br>» Crown Top Rail<br>» Universal Bottom Rail<br>» Square Balusters<br>» Baluster Spacers<br>» Adjustable Foot Block<br>» Mounting Hardware<br><br><i>[Actual dimensions: 6' Rail: 67.5 in x 36 in (171 cm x 914 mm); 8' Rail: 91.5 in x 36 in (232 cm x 914 mm)]</i> | 6' x 36" Rail & Baluster Kit—Horizontal<br><i>With square composite balusters</i> | XXO636HRK   | WT, BK, VL |
|      |   | 6' x 36" Rail & Baluster Kit—Stair<br><i>With square composite balusters</i>      | WT0636SRK   | WT         |
|      |   | 8' x 36" Rail & Baluster Kit—Horizontal<br><i>With square composite balusters</i> | XXO836HRK   | WT, BK, VL |
|      |   | 8' x 36" Rail & Baluster Kit—Stair<br><i>With square composite balusters</i>      | XXO836SRK   | WT, BK, VL |
|      |   | 6' x 42" Rail & Baluster Kit—Horizontal<br><i>With square composite balusters</i> | XXO642HRK   | WT, BK, VL |
|      |   | 8' x 42" Rail & Baluster Kit—Horizontal<br><i>With square composite balusters</i> | XXO842HRK   | WT, BK, VL |
|      |   | 8' x 42" Rail & Baluster Kit—Stair<br><i>With square composite balusters</i>      | XXO842SRK   | WT, BK, VL |

|  |   |   |             |            |
|--|---|---|-------------|------------|
|  | <b>Rail &amp; Baluster Kit-Aluminum</b><br>» Crown Top Rail<br>» Universal Bottom Rail<br>» Round Aluminum Baluster<br>» Baluster Spacers<br>» Adjustable Foot Block<br>» Mounting Hardware<br><br><i>[Actual dimensions: 6' Rail: 67.5 in x 36 in (171 cm x 914 mm); 8' Rail: 91.5 in x 36 in (232 cm x 914 mm)]</i> | 6' x 36" Rail & Baluster Kit—Horizontal<br><i>With black round aluminum balusters</i> | XXRD0636HRK | WT, BK, VL |
|  |   | 8' x 36" Rail & Baluster Kit—Horizontal<br><i>With black round aluminum balusters</i> | XXRD0836HRK | WT, BK, VL |
|  |   | 8' x 36" Rail & Baluster Kit—Stair<br><i>With black round aluminum balusters</i>      | XXRD0836SRK | WT, BK, VL |
|  |   | 6' x 42" Rail & Baluster Kit—Horizontal<br><i>With black round aluminum balusters</i> | XXRD0642HRK | WT, BK, VL |
|  |   | 8' x 42" Rail & Baluster Kit—Horizontal<br><i>With black round aluminum balusters</i> | XXRD0842HRK | WT, BK, VL |
|  |   | 8' x 42" Rail & Baluster Kit—Stair<br><i>With black round aluminum balusters</i>      | XXRD0842SRK | WT, BK, VL |

# Trex Select® Railing

● Trex Select® is a 3-step process. Choose Trex post sleeves, caps and skirts (Steps 1 & 2) and a rail & baluster kit (Step 3).

| STEP | COMPONENT   | DESCRIPTION                                      | ITEM NUMBER   |
|------|---|--|---------------|
| 3    | <b>Classic White Rail &amp; Aluminum Baluster Kit</b><br>» Top Rail<br>» Bottom Rail<br>» Round Aluminum Balusters<br>» Adjustable Foot Block<br>» Hardware Pack<br>Available in Classic White with Charcoal Black Aluminum Balusters only. | 6' x 36" Rail & Aluminum Baluster Kit—Horizontal | WTRD0636HSELK |
|      |   | 6' x 36" Rail & Aluminum Baluster Kit—Stair      | WTRD0636SSELK |
|      |   | 8' x 36" Rail & Aluminum Baluster Kit—Horizontal | WTRD0836HSELK |
|      |   | 8' x 36" Rail & Aluminum Baluster Kit—Stair      | WTRD0836SSELK |
|      |   | 6' x 42" Rail & Aluminum Baluster Kit—Horizontal | WTRD0642HSELK |
|      |   | 8' x 42" Rail & Aluminum Baluster Kit—Horizontal | WTRD0842HSELK |
|      |   | 8' x 42" Rail & Aluminum Baluster Kit—Stair      | WTRD0842SSELK |

|           |   |  |                    |
|-----------|---|--|--------------------|
| ACCESSORY | Trex Select® Accessories                | Mounting Hardware for Cut Rails—Horizontal (10 kits/box)                             | BKENHZBKT          |
|           |   | Mounting Hardware for Cut Rails—Stair (10 kits/box)                                  | BKENSTBKT          |
|           | Trex Select® 8' Aluminum Rail Stiffener |  | SELALRAILSTIFFENER |

XX = COLOR PREFIX: BK Charcoal Black BZ Bronze WT Classic White Aluminum railing has a textured finish.

# Trex Aluminum Gates

| COMPONENT                         | DESCRIPTION   | ITEM NUMBER   |
|-----------------------------------|---|---------------|
| Gate Rail Kit                     | 36" Rail Height, Square Balusters, Adjustable up to 48" wide opening  | XX36SQADJGATE |
|                                   | 36" Rail Height, Round Balusters, Adjustable up to 48" wide opening   | XX36RDADJGATE |
|                                   | 42" Rail Height, Square Balusters, Adjustable up to 48" wide opening  | XX42SQADJGATE |
|                                   | 42" Rail Height, Round Balusters, Adjustable up to 48" wide opening   | XX42RDADJGATE |
| Available in all Aluminum colors. | [Actual height 36" Rail: 36 in (914 mm); 42" Rail: 42 in (106 cm)<br>Actual width is 47.5 in (120 cm) but can be cut to fit any width.] |               |

Hardware Pack  
(black only)  
(purchased separately)



2 Adjustable Self-Closing Hinges  
1 Locking Hasp With Keys  
Hardware for attachment to wood post with composite sleeve or aluminum posts

BKGATEHW



# Trex Aluminum ADA Compliant Handrail

All Trex ADA handrail components are made of powder-coated aluminum. For detailed installation instructions, visit [trex.com](http://trex.com).

| COMPONENT                                  | ITEM NUMBER      |
|--|------------------|
| 1.375 in x 8 ft (34 mm x 243 cm) Hand Rail | XXALADARAIL8     |
| Wall Return 90°                            | XXALADA90WR2G    |
| Wall Mount                                 | XXALADAWMNT2G    |
| Corner Mount                               | XXALADAICORNER2G |
| Post Return ("Candy Cane")                 | XXALADA180CCANE  |
| 5° Elbow                                   | XXALADA05ELB     |
| 31° Elbow                                  | XXALADA31ELB     |
| 34° Elbow                                  | XXALADA34ELB     |
| 36° Elbow                                  | XXALADA36ELB     |
| 90° Inside/Outside Elbow                   | XXALADA90ELB2G   |
| Straight 4 in (101 mm) Internal Connector  | XXALINTCONN      |
| Inline Rail Termination Adapter            | XXALADAINLINE    |
| Rail End Cap                               | XXALADACAP       |
| Aluminum Colla                             | XXALADACL        |



XX = COLOR PREFIX: BK Charcoal Black BZ Bronze WT Classic White Aluminum railing has a textured finish.



# TREX TRANSCEND RAILING

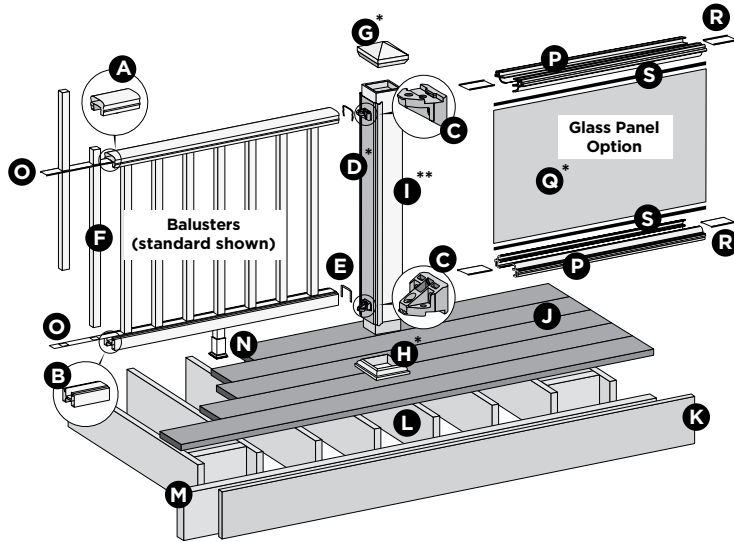
## NOTES:

» TREX TRANSCEND RAILINGS ARE DESIGNED TO BE INSTALLED OVER THE DECKING FRAME OR ON INSIDE OF RIM JOIST. NOTCHING OF PRESSURE-TREATED POSTS OR POSTS INSTALLED ON OUTSIDE OF RIM JOIST IS NOT ALLOWED.

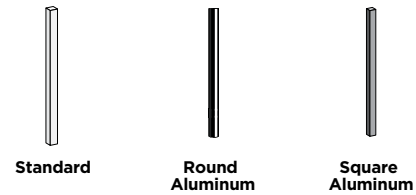
» All Trex Transcend railing lengths are manufactured at ON CENTER dimensions (spanning from center of each post): 67-5/8" (1718 mm) for 6' (1.83 m) on center, and 91-5/8" (2353 mm) for 8' (2.44 m) on center. Note that railings are designed to be slightly longer than required to allow for very slight play in post placement – some minimal trimming may be required. IT IS VERY IMPORTANT TO MEASURE FIRST.

» Ensure that pressure treated posts are installed at proper height so that when post sleeves are installed, both pressure treated post and post sleeve are flush at top.

## PARTS



## BALUSTER OPTIONS



**NOTE:** Pictorial representations shown may only show one style of railing, while others may also be used. Review detailed instructions to determine what railing styles and combinations can be used.

- A. Crown or Universal
- B. Universal
- C. Trex railing support bracket (RSB)
- D. TrexExpress™ Railing Assembly Template\*
- E. Rail gaskets
- F. Balusters
- G. Post sleeve cap\*
- H. Post sleeve skirt\*
- I. Post sleeve – 4" x 4" (102 mm x 102 mm) or 6" x 6" (152 mm x 152 mm) post sleeve\*\*
- J. Trex decking
- K. Trex fascia
- L. Code-approved wood joist – 2" x 8" (51 mm x 203 mm)
- M. Code-approved wood rim joist – 2" x 8" (51 mm x 203 mm) or larger
- N. Adjustable foot block (quantity of one is required for all railing span lengths)
- O. Baluster spacer

## Trex Transcend Glass Panel Parts List

- P. Panel support molding
- Q. Tempered glass panel\*
- R. Trex panel support molding spacer
- S. Weatherstripping

\* Item not included in the Transcend railing kits.

\*\* Both 4" x 4" (102 mm x 102 mm) and 6" x 6" (152 mm x 152 mm) post sleeves are designed to fit over 4x4 pressure-treated post.

## DETERMINING BALUSTERS NEEDED

| Baluster Type                                  | Per 6' OC Section | Per 8' OC Section |
|--|-------------------|-------------------|
| Square (Horizontal Application)                | 13                | 18                |
| Square (Stair Application)                     | 11                | 15                |
| Round/Square Aluminum (Horizontal Application) | 15                | 20                |
| Round/Square Aluminum (Stair Application)      | 12                | 16                |

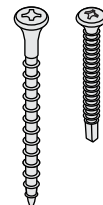
**NOTE:** Basic installation for balusters is the same for all options. When using round or square aluminum balusters, use correct baluster spacers.

**NOTE:** If installing 42" (1067 mm) railing, use longer posts sleeves and measure accordingly to ensure a proper cut. **DO NOT CUT TO ACTUAL 42" LENGTH WITHOUT CONFIRMING WHAT STYLE OF RAILING YOU ARE INSTALLING.**

**NOTE:** If using post mounts, refer to detailed instructions provided with post mounts for attaching these prior to installation of any railing type.

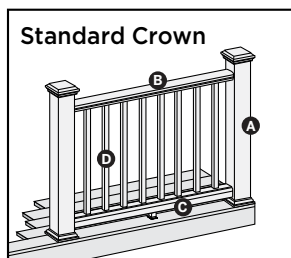
## Screws Supplied with RSB

- C1. Wood screw for attachment of RSB to wood post/composite sleeve
- C2. Self-tapping rail screw for attachment of railing to RSB



# TREX TRANSCEND RAILING CONFIGURATIONS

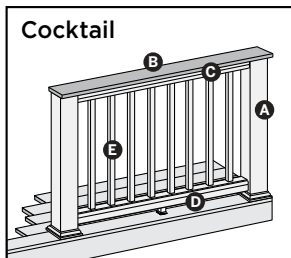
Note: See specific installation instructions for attachment of Trex post mounts or Trex Joist Mount Posts prior to installing any railing.



Cutting post sleeves is **NOT** required.

- A. Pressure-treated post/Trex post sleeve, Trex post mount/Trex post sleeve\*, or Joist Mount Post/Trex post sleeve\* (INSIDE MOUNT ONLY)
- B. Crown rail
- C. Universal bottom
- D. Trex balusters

See page 65 for "How to Install Standard Railing".



Post sleeves will need to be cut.

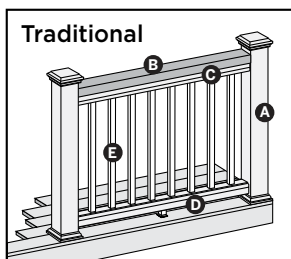
- A. Pressure-treated post with Trex Transcend post sleeve  
**NOTE:** » Only for use with 4" x 4" (102 mm x 102 mm) post sleeve.  
» Trex post mounts cannot be used with Transcend cocktail design.

- B. Deck board top rail (1 x 6 or 2 x 6). **NOTE:** Enhance (scalloped profile) and Escapes cannot be used.
- C. Universal top rail
- D. Universal bottom
- E. Trex balusters

See page 67 for "How to Install Cocktail Railing".

**NOTE:** Additional pan head screws will need to be purchased - see detailed instructions.

**POST SLEEVES WILL NEED TO BE CUT**

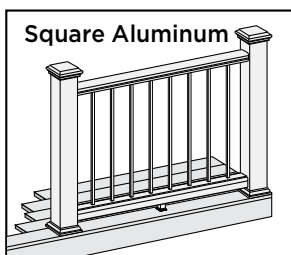
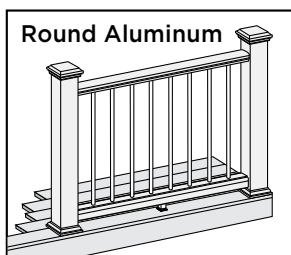


Cutting post sleeves is **NOT** required.

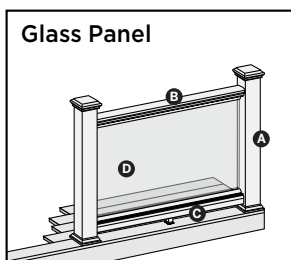
- A. Pressure-treated post/Trex post sleeve, Trex post mount/Trex post sleeve\*, or Joist mount post/Trex post sleeve\* (INSIDE MOUNT ONLY)
- B. 2" x 4" (51 mm x 102 mm) lateral top rail
- C. Universal top rail
- D. Universal bottom
- E. Trex balusters

See page 68 for "How to Install Traditional Railing".

**NOTE:** Additional pan head screws will need to be purchased - see detailed instructions.



- » Follow desired railing style instructions found above, substituting correct baluster spacer for type of baluster being used.
- » Refer to detailed instructions for added steps when using round and square aluminum balusters. See page 69.



Cutting post sleeves is **NOT** required.

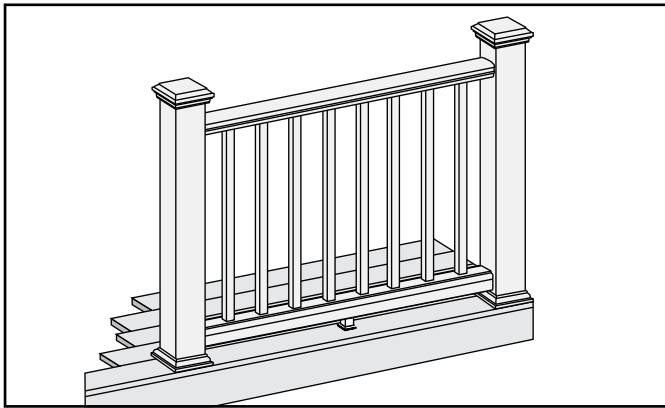
- A. Pressure-treated post/Trex post sleeve, Trex post mount/Trex post sleeve\*\*, or Joist mount post/Trex post sleeve\*\* (INSIDE MOUNT ONLY)
- B. Crown rail (use universal rail if building cocktail or traditional design with glass inserts)
- C. Universal bottom
- D. Tempered glass panel (**NOT** included in kit)

See page 70 for "How to Install Standard Glass Panel Railing", page 72 for "How to Install Cocktail Style Glass Panel Railing" (\*\*NOTE: Trex Post Mounts or Trex Joist Mount Posts cannot be used with this railing configuration), and page 73 for "How to Install Traditional Style Glass Panel Railing".

**NOTE:** Glass panels are not recommended in stair applications.



# HOW TO INSTALL STANDARD RAILING TREX TRANSCEND

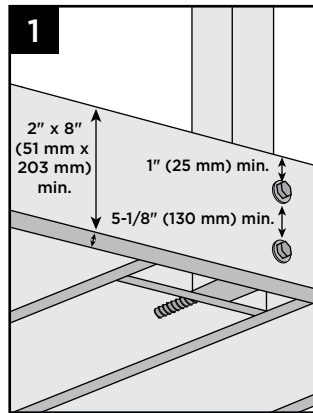


Read all instructions **BEFORE** installation.

**Important:** Post sleeves are **NOT** to be cut for this design style.

## Installing Pressure-Treated Posts

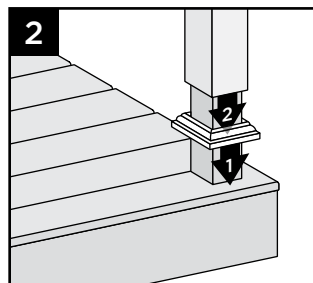
- » Posts are to be installed 6' (1.83 m) or 8' (2.44 m) on center to accommodate appropriate railing length.
- » Attach posts using 1/2" (130 mm) carriage bolts.
- » Minimum joist size is 2" x 8" (51 mm x 203 mm).
- » Top bolts must be 1" (25 mm) from tops of joists.
- » Bottom bolts must be 5-1/8" (130 mm) from top bolts.
- » Bolts can be countersunk flush with framing to allow for fascia attachment.



**NOTE:** Blocking can be added for extra strength.

## Installing Post Sleeve Skirts and Post Sleeves

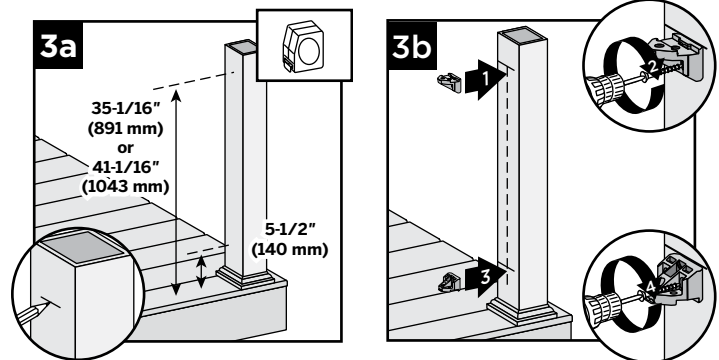
2. Slide post sleeve skirt over post and down to rest on decking surface. Slide post sleeve over post and position inside post sleeve skirt.



**NOTE:** Shims can be used to plumb post sleeves.

## Installing Railing Support Brackets (RSBs)

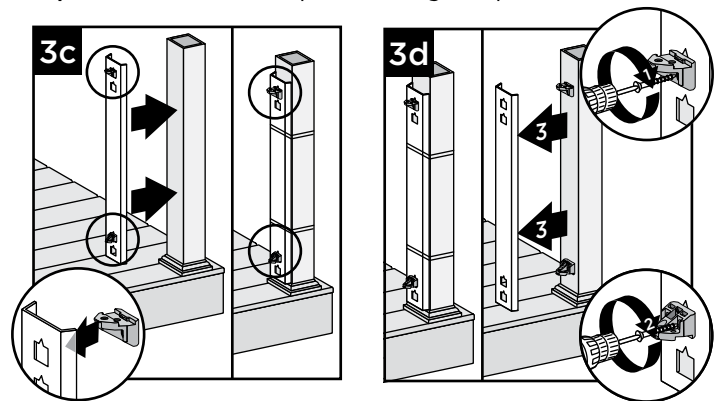
**Option 1:** Without Trex Express railing template



3a. Mark 5-1/2" (140 mm) and 35-1/16" (891 mm) from deck surface **OR** for 42" (1067 mm) height, mark 5-1/2" (140 mm) and 41-1/16" (1043 mm) from the deck surface.

3b. Place RSBs directly under marks, center on posts, and secure with 2" (51 mm) wood screws (*provided with post sleeve*). **Place top RSBs flat side up, bottom RSBs flat side down.**

**Option 2:** With TrexExpress railing template



3c. Place RSBs in template. **Place top RSBs flat side UP, bottom RSBs flat side DOWN.** Secure template on post with tape or rubber band, with bottom of template resting on post skirt.

3d. Secure RSBs with 2" (51 mm) wood screws (*provided in railing kit*) and remove template.

**NOTES:** Special steps are necessary when using 6" x 6" (152 mm x 152 mm) plastic TrexExpress template.

- » Cut off 1/2" (13 mm) from the bottom (blue arrows up) of the tool **BEFORE** first use.
- » Position top RSBs **ONLY**, 6" (152 mm) higher for 42" (1067 mm) rail height.
- » Secure RSBs with 2-1/2" (64 mm) wood screws (*provided with post sleeve*) and remove template.

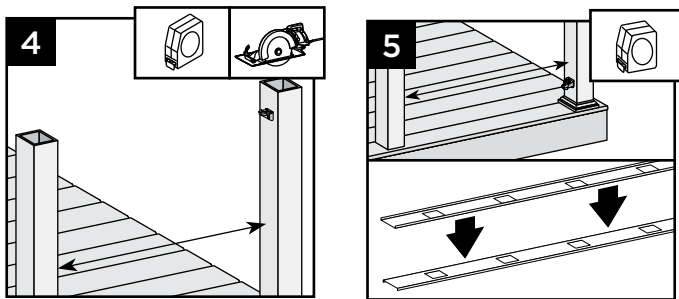
**NOTE:** Construction methods are always improving. Please refer to [www.trex.com](http://www.trex.com) for the most up-to-date installation requirements.



# HOW TO INSTALL STANDARD RAILING/CONTINUED

## TREX TRANSCEND

### Cutting Railings and Baluster Spacers



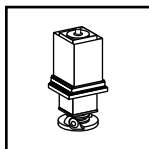
4. Measure between posts and cut rails to same length.
5. Cut baluster spacers the same length as rails, equally spaced, so holes line up.

#### NOTES:

- » If using optional rail gaskets, subtract 1/16" (1.6 mm) from each end.
- » Attach baluster spacers to railing before cutting to allow for cleaner cut and less work.
- » When measuring, cut equal lengths from each side of railing and baluster spacer to ensure equal spacing of balusters per each railing section.
- » In some cases, the gasket can be attached before tightening railing to RSB.
- » If gaskets are tight, use a small flat head screwdriver to compress the tabs of the gasket if they are stuck outside the rail.

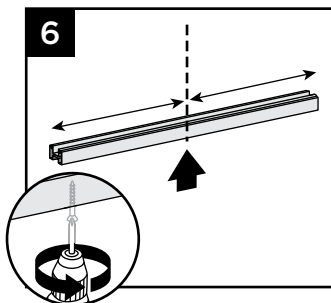
#### IMPORTANT NOTES REGARDING FOOT BLOCK INSTALLATION:

- » One foot block is **REQUIRED** for all railing spans.
- » Refer to detailed instructions (Trex Transcend® rail instructions) included with foot block prior to installation of railing section as these include other required steps for proper installation.



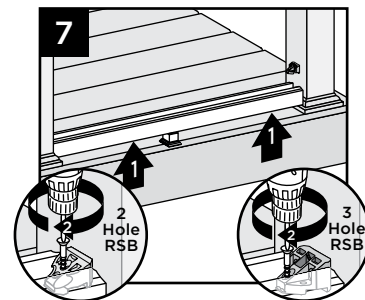
#### Attaching Foot Block to Bottom Rail

6. Invert the bottom rail. Center and drill a hole using a 3/16" drill bit. This will be location for foot block attachment (to be installed last).



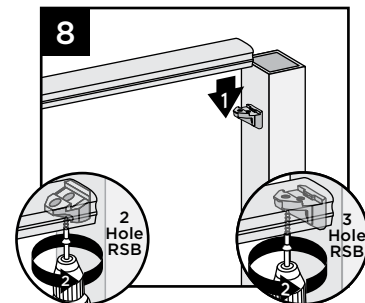
#### Attaching Bottom Rail (Universal Rail)

7. Lift bottom rail so RSBs are in the channel and attach with three self-tapping screws provided (use three outer holes; do not use hole in RSB that is closest to post). If two hole bracket is included, attach with two self-tapping holes (*provided*).



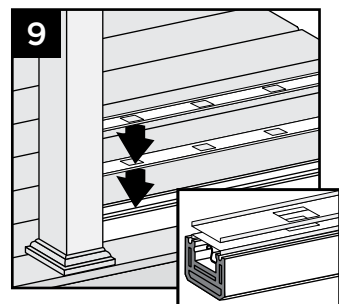
#### Attaching Top Rail - Crown Rail

8. Place crown rail on RSBs. Attach top rail to RSB with three self-tapping screws provided (use three outer holes; do not use hole in RSB that is closest to post). If two hole bracket is included, attach with two self-tapping screws (*provided*).



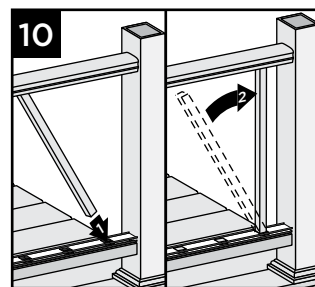
#### Placing Baluster Spacers

9. Snap baluster spacer into bottom rail. Place inverted baluster spacer on top of first baluster spacer.



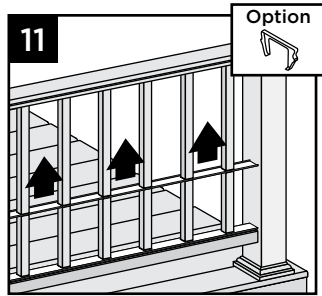
#### Attaching Balusters

10. Place baluster into both baluster spacers, ensuring that balusters are fully seated into the channel. Working at slight angle, maneuver balusters into top rail. See page 69 if using Aluminum round or square balusters for additional information.



## HOW TO INSTALL STANDARD RAILING/CONTINUED TREX TRANSCEND

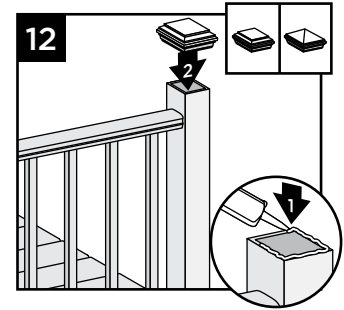
11. Slide baluster spacer up and snap into top rail. Place optional top rail gaskets on each end of rail.



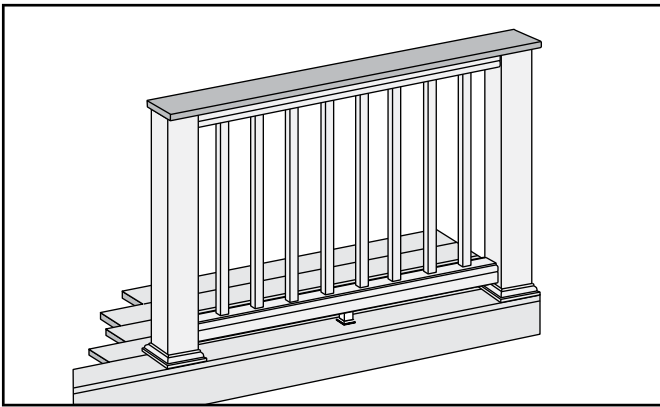
### Attaching Post Caps and Installing Foot Blocks

12. Secure post caps with silicone or PVC adhesive. Attach foot block per foot block instructions.

**NOTE:** Clean up any excess adhesive before it dries.



## HOW TO INSTALL COCKTAIL RAILING TREX TRANSCEND



### IMPORTANT NOTES:

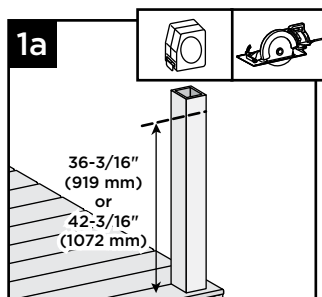
- » **ONLY** use with 4" x 4" (102 mm x 102 mm) post and post sleeve. Cutting post and post sleeve **ONLY** apply to the Transcend Cocktail railing.
- » If using Select decking, **USE** maximum length 1-3/4" (44 mm) screw and **NOT** 2" (51 mm) screw.
- » Screws that are used for attaching decking board to railing **MUST** be attached at an angle to prevent screw from penetrating through the top of decking board.

### 1. Installing Pressure-Treated Posts

See instructions on page 65.

### Cutting Post and Post Sleeve

- 1a. Mark and cut post and post sleeve measuring from deck surface:
- » 36-3/16" (919 mm) for 36" (914 mm) height.
  - » 42-3/16" (1072 mm) for 42" (1067 mm) height.



2. Installing Post Sleeve Skirts and Post Sleeves See instructions on page 65.

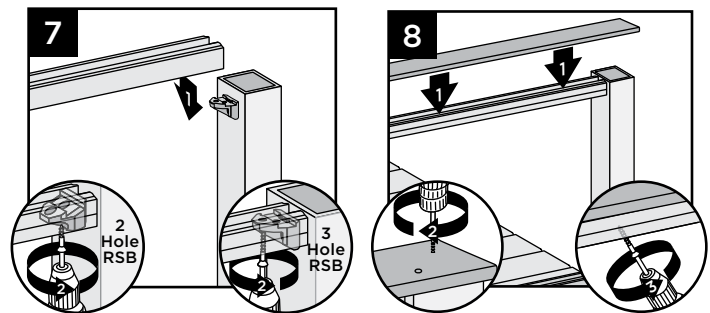
3. Installing Railing Support Brackets (RSBs) instructions on page 65.

4. Cutting Railings and Baluster Spacers See instructions on page 66.

5. Attaching Foot Block to Bottom Rail See instructions on page 66.

6. Attaching Bottom Rail (Universal Rail) See instructions on page 66.

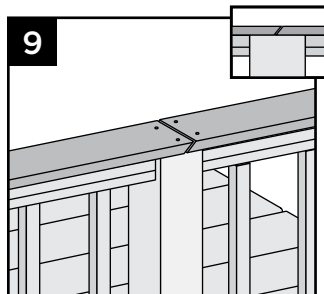
### Attaching Inverted Universal Rail as Top Rail



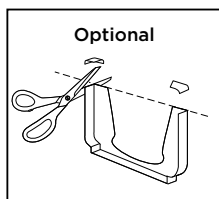
7. Place inverted universal rail onto RSBs. Attach universal rail to RSBs with three self-tapping screws provided (use three outer holes; do not use hole in RSB that is closest to post). If two hole bracket is included, attach with two self-tapping screws (provided).

8. Place deck boards (**DO NOT** use Enhance (scallop profile) or Escapes deck boards for top rail) over universal rails. Attach boards on each post with Trex-recommended composite screws (quantity of 2 per each board end). Secure boards to universal rails from underside of railing into bottom of decking board, with 2" (51 mm) pan-head screws (*not provided*) at an angle every 16" (406 mm) on center.

## HOW TO INSTALL COCKTAIL RAILING/CONTINUED TREX TRANSCEND



9. Use scarf cut for posts where two deck boards meet.



### NOTES:

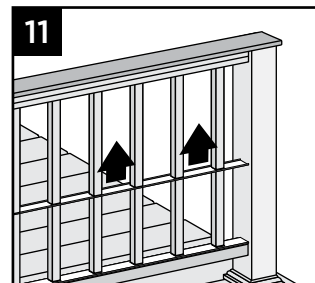
- » If necessary, cut tips off rail gaskets prior to installation.
- » Leave 1/8" (3 mm) gap between deck boards.
- » Deck boards can overhang end of last post maximum 1/2" (13 mm).

### 10. Placing Baluster Spacers

See instructions on page 66.

### 11. Attaching Balusters

See instructions on page 66 for standard balusters and page 69 for aluminum balusters.

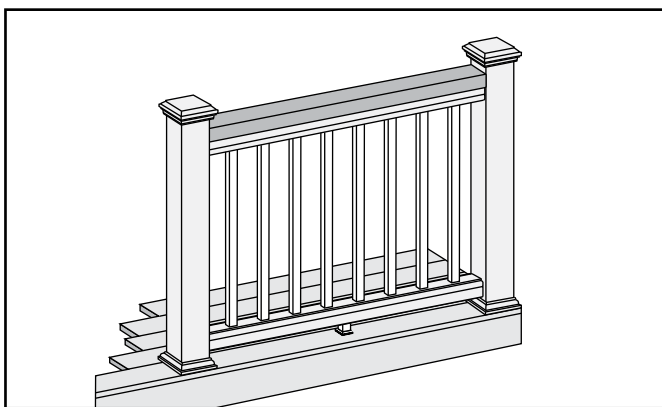


12. Slide baluster spacers up and snap into universal rails.

### 13. Installing Foot Block

Attach foot block per detailed instructions.

## HOW TO INSTALL TRADITIONAL RAILING TREX TRANSCEND



### 1. Installing Pressure-Treated Posts

See instructions on page 65.

### 2. Installing Post Sleeve Skirts and Post Sleeves

See instructions on page 65.

### 3. Installing Railing Support Brackets (RSBs)

See instructions on page 65.

### 4. Cutting Railings and Baluster Spacers

See instructions on page 66.

### 5. Attaching Foot Block to Bottom Rail

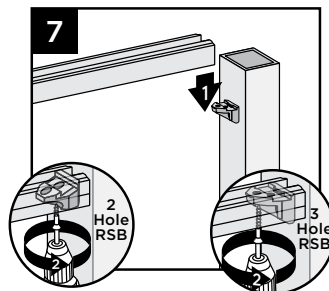
See instructions on page 66.

### 6. Attaching Bottom Rail (Universal Rail)

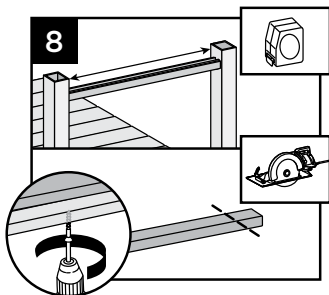
See instructions on page 66.

### Attaching Inverted Universal Rail as Top Rail

7. Place inverted universal rail onto RSBs. Attach universal rail with three self-tapping screws provided (use three outer holes; do not use hole in RSB that is closest to post). If two hole bracket is included, attach with two self-tapping holes (provided).

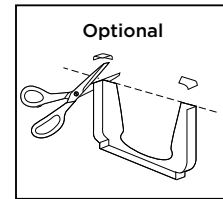
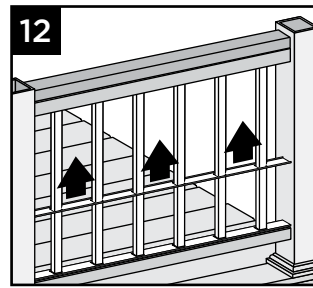
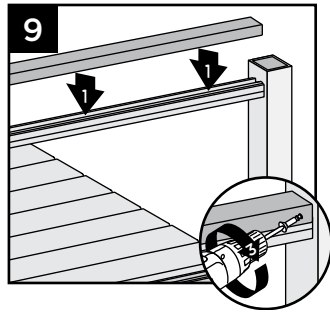


8. Measure between posts and cut 2" x 4" (51 mm x 102 mm) to length. Place 2" x 4" (51 mm x 102 mm) on universal rail. Attach board to rail with 2" (51 mm) pan-head screws (not provided) every 16" (406 mm) on center.



## HOW TO INSTALL TRADITIONAL RAILING/CONTINUED TREX TRANSCEND

9. Pre-drill a pilot hole and toenail 2-1/2" (64 mm) composite decking screw (*not provided*) at each end of 2" x 4" (51 mm x 102 mm) into post on back side of rail (side not facing decking).



10. **Placing Baluster Spacers**  
*See instructions on page 66.*

11. **Attaching Balusters**  
*See page 66 for standard baluster and instructions below for aluminum balusters.*

12. Slide baluster spacer up and snap into universal rail.

**NOTE:** *If necessary, cut tips off rail gaskets prior to installation.*

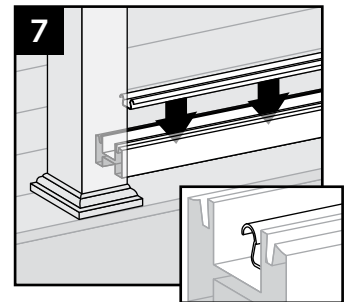
13. **Attaching Post Caps and Installing Foot Block**  
*Attach foot block per detailed instructions.*

## HOW TO INSTALL ROUND OR SQUARE ALUMINUM BALUSTERS TREX TRANSCEND

1. **Installing Pressure-Treated Posts**  
*See instructions on page 65.*
2. **Installing Post Sleeve Skirts and Post Sleeves**  
*See instructions on page 65.*
3. **Installing Railing Support Brackets (RSBs)**  
*See instructions on page 65.*
4. **Cutting Railings and Baluster Spacers**  
*See instructions on page 66.*
5. **Attaching Foot Block to Bottom Rail**  
*See instructions on page 66.*
6. **Attaching Bottom Rail (Universal Rail)**  
*See instructions on page 66.*

### Installing Lower Aluminum Baluster Adaptor Strip

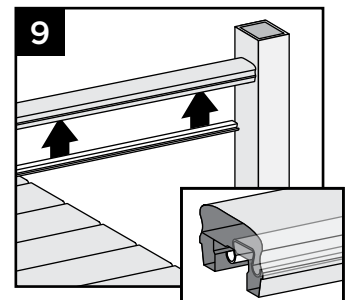
7. After bottom rail is fully installed, place aluminum baluster adaptor strip into channel of bottom rail, ensuring that it's fully seated into the channel. When rail lengths are non-standard, the baluster adaptor strip will need to be cut 2-1/2" (64 mm) shorter than the rail to allow clearance for the RSB's on each end.



8. **Attaching Top Rail**  
*See specific instructions based on top rail of choice.*

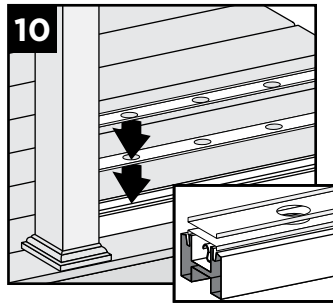
### Installing Upper Aluminum Baluster Adaptor Strips and Baluster Spacers

9. After top rail is fully installed, place aluminum baluster adaptor strip into channel of top rail, ensuring that it's fully seated into the channel.

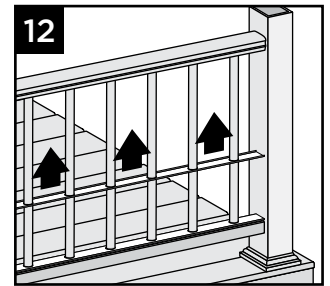


## HOW TO INSTALL ROUND OR SQUARE ALUMINUM BALUSTERS/CONTINUED TREX TRANSCEND

10. Snap baluster spacer into bottom rail. Place inverted baluster spacer on top of first baluster spacer.

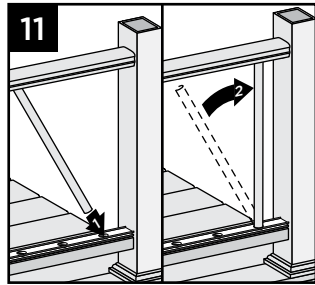


12. Slide baluster spacer up and snap into top rail. Place optional top rail gaskets on each end of rail.



### Attaching Balusters

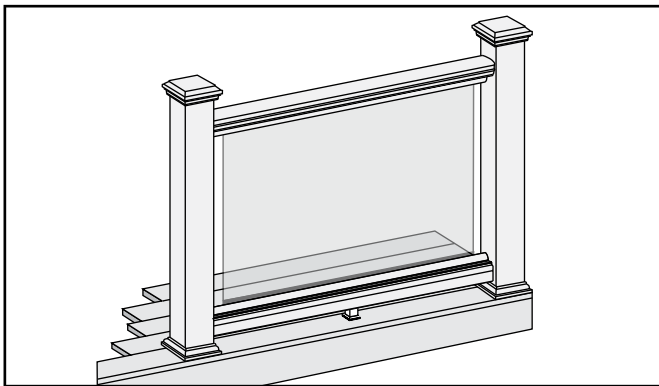
11. Working at slight angle, press baluster through both baluster spacers and into bottom aluminum baluster adaptor strip, ensuring balusters are tight. Once balusters are seated into aluminum baluster adaptor strip on bottom rail, maneuver baluster into upper rail aluminum baluster adaptor strip. Some force will be needed to press balusters into place and level them.



***TIP:** Ensure balusters are level prior to attempting to slide baluster spacer up. This will allow for the baluster spacer to move up freely and snap into upper rail. Use of a rubber mallet to gently tap balusters in level is recommended.*

---

## HOW TO INSTALL STANDARD GLASS PANEL RAILING TREX TRANSCEND



**NOTES:** Read all instructions **BEFORE** installation.

- » You must purchase the 1/4" (6 mm) tempered glass panels. See dimensions below.
- » Glass panels **ONLY** for use with maximum 6' (1.83 m) on center post spacing.
- » **Not** recommended for stair applications.





# HOW TO INSTALL STANDARD GLASS PANEL RAILING/CONTINUED

## TREX TRANSCEND

### TEMPERED GLASS PANEL DIMENSIONS

- » **36" (914 mm) high rail:**  
1/4" x 30" x 63-1/2" max.  
(6 mm x 762 mm x 1613 mm)
- » **42" (1067 mm) high rail:**  
1/4" x 36" x 63-1/2" max.  
(6 mm x 914 mm x 1613 mm)

#### 1. Installing Pressure-Treated Posts

See instructions on page 65.

#### 2. Installing Post Sleeve Skirts and Post Sleeves

See instructions on page 65.

#### 3. Installing Railing Support Brackets (RSBs)

See instructions on page 65.

#### 4. Cutting Railings

See instructions on page 66.

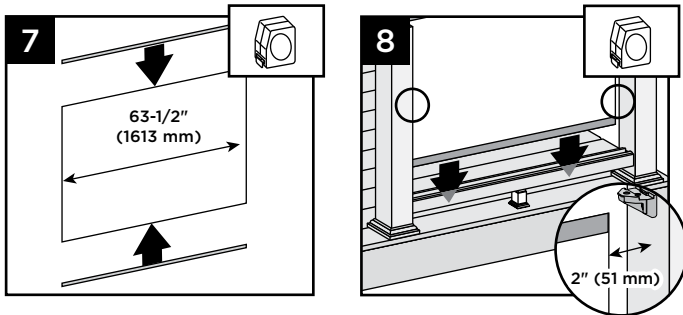
#### 5. Attaching Foot Block to Bottom Rail

See instructions on page 66.

#### 6. Attaching Bottom Rail (Universal Rail)

See instructions on page 66.

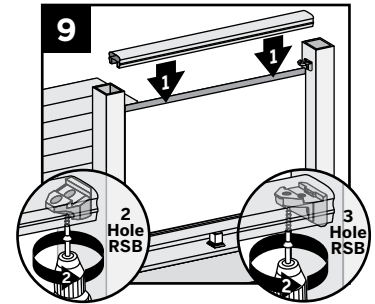
#### Attaching Weatherstripping and Positioning Panel



7. Push black-edged trim onto upper and lower edges of panel. Trim should be the exact length of the glass panel. Extra trim can be cut with razor blade or scissors.
8. Position panel with weatherstripping into lower rail channel. Center panel between posts with about 2" (51 mm) of air space on each side of panel.

#### Attaching Top (Crown) Rail

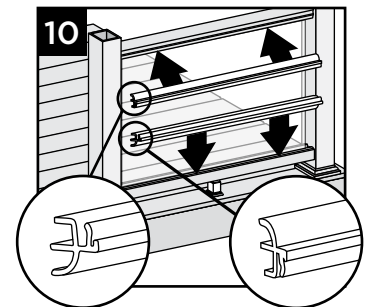
9. Place top rail over RSB brackets and glass panel. Attach top rail to RSB with three self-tapping screws provided (use three outer holes; do not use hole in RSB that is closest to post). If two hole bracket is included, attach with two self-tapping screws (*provided*).



**NOTE:** Avoid hitting glass panel while using the drill.

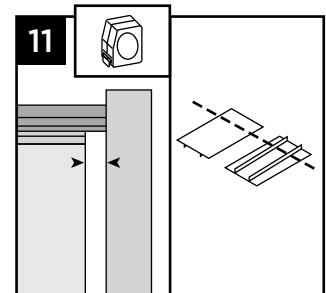
#### Attaching Panel Support Molding

10. Push PSM into rail to complete snap connection. Lower rail PSM edge rests on top of rail. Top rail PSM snaps flush into rail.

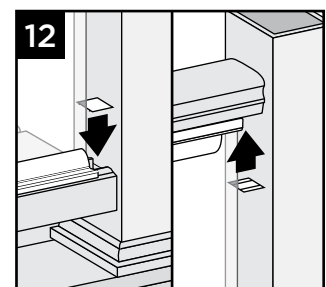


#### Hiding Brackets

11. Cut Transcend baluster spacer into four lengths equal to distance between the glass panel and posts. Cut slowly and one at a time, to avoid chipping.



12. Snap spacer into bottom and top rail to hide brackets and create a seamless look.

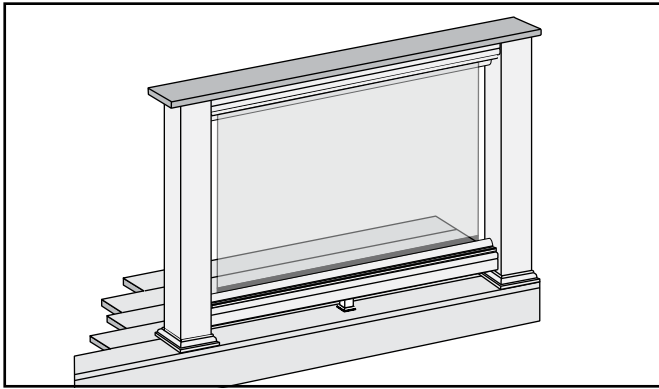


#### 13. Attaching Post Caps and Installing Foot Blocks

See instructions on page 66 and detailed foot block instructions..

# HOW TO INSTALL COCKTAIL STYLE GLASS PANEL RAILING

## TREX TRANSCEND



### NOTES: Read all instructions BEFORE installation.

- » You must purchase the 1/4" (6 mm) tempered glass panels. See dimensions below.
- » Glass panels **ONLY** for use with maximum 6' (1.83 m) on center post spacing.
- » **NOT** recommended for stair applications.
- » Trex post mounts cannot be used for this application.
- » If using Select decking, **USE** maximum length 1-3/4" (45 mm) screw and **NOT** 2" (51 mm) screw.
- » Screws that are used for attachment of decking board to railing **MUST** be attached at angle to prevent screw from penetrating through top of decking board.
- » **DO NOT** use Enhance (scalloped profile) or Escapes deck boards for top rail over universal rails.

### TEMPERED GLASS PANEL DIMENSIONS

- » **36" (914 mm) high rail:**  
1/4" x 30" x 63-1/2" max.  
(6 mm x 762 mm x 1613 mm)
- » **42" (1067 mm) high rail:**  
1/4" x 36" x 63-1/2" max.  
(6 mm x 914 mm x 1613 mm)

### 1. Installing Pressure-Treated Posts

See instructions on page 65.

**NOTE:** If installing glass with cocktail rail design, rail posts and post sleeves must be cut.

#### 1a. Cutting Post and Post Sleeve

See instructions on page 67.

### 2. Installing Post Sleeve Skirts and Post Sleeves

See instructions on page 65.

### 3. Installing Railing Support Brackets (RSBs)

See instructions on page 65.

### 4. Cutting Railings

See instructions on page 66.

### 5. Attaching Foot Block to Bottom Rail

See instructions on page 66.

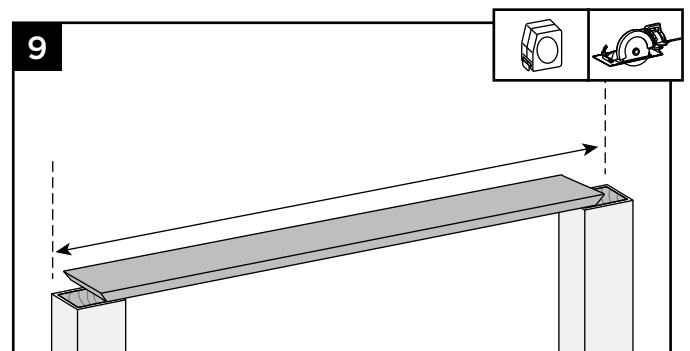
### 6. Attaching Bottom Rail (Universal Rail)

See instructions on page 66.

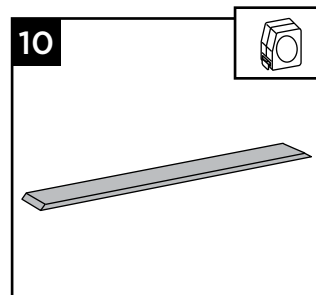
### 7-8. Attaching Weatherstripping and Positioning Panel

See instructions on page 71.

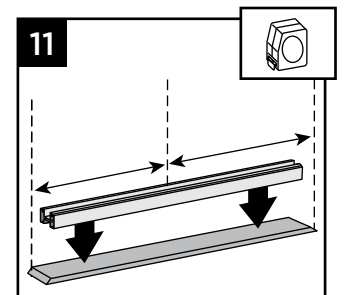
### Attaching Top Rail



9. Cut deck boards to appropriate length of railing span, remembering to include extra space on each side of the deck board to allow for attachment to the post. Decking boards must cover 1/2 of the pressure-treated post to allow this to be fastened later. If you include extra decking material on each side, this can be cut off later if needed.



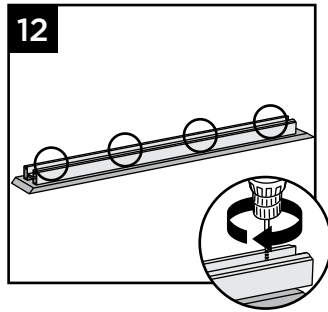
10. Place inverted deck board (top side of deck board down) on clean, flat surface.



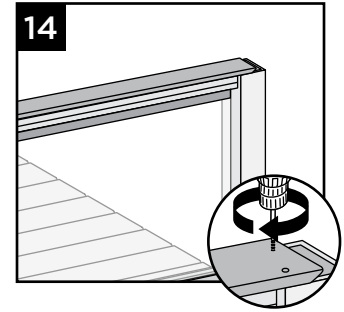
11. Place Universal rail (orient this properly so when flipped over, the universal rail will accept the baluster spacer and balusters), on the deck board, centered in both directions to allow final attachment to post.

## HOW TO ATTACH COCKTAIL STYLE GLASS PANEL RAILING/CONTINUED TREX TRANSCEND

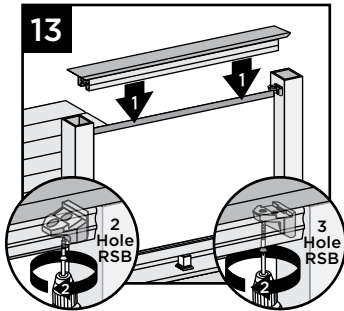
12. Secure deck board to Universal rail with 2" (51 mm) pan head screws (*not provided*) approximately every 16" (406 mm) on center at an angle. (**DO NOT** overtighten. Attach from underside of railing into bottom of decking board.)



14. Attach Deck Board to post (ensure that screws are attached to wood post) with Trex recommended composite screws (quantity of 2 per each board end).



13. Place inverted Universal rail with deck board attached onto RSB's with glass panel in the channel. Attach Universal rail to RSB's with three self-tapping screws provided (use three outer holes; do not use hole in RSB that is closest to post). If two hole bracket is included, attach with two self-tapping screws (*provided*).

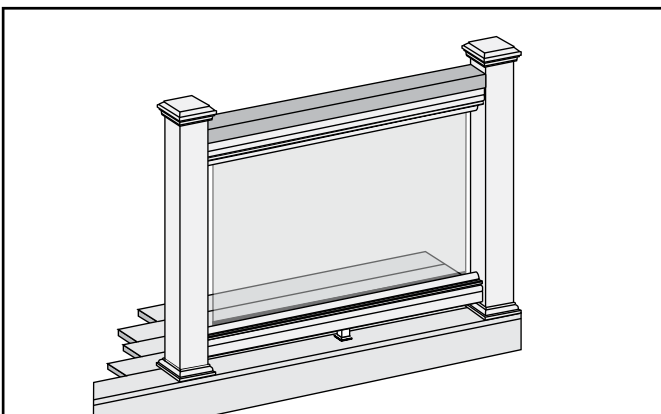


15. **Attaching Panel Support Moldings**  
*See instructions on page 71.*

- 16-17. **Hiding Brackets**  
*See instructions on page 71.*

18. **Installing Foot Block**  
*Attach foot block per detailed instructions.*

## HOW TO ATTACH TRADITIONAL STYLE GLASS PANEL RAILING TREX TRANSCEND



**NOTES: Read all instructions BEFORE installation.**

- » You must purchase the 1/4" (6 mm) tempered glass panels. *See dimensions below.*
- » Glass panels **Only** for use with maximum 6' (1.83 m) on center post spacing.
- » **NOT** recommended for stair applications.

### TEMPERED GLASS PANEL DIMENSIONS

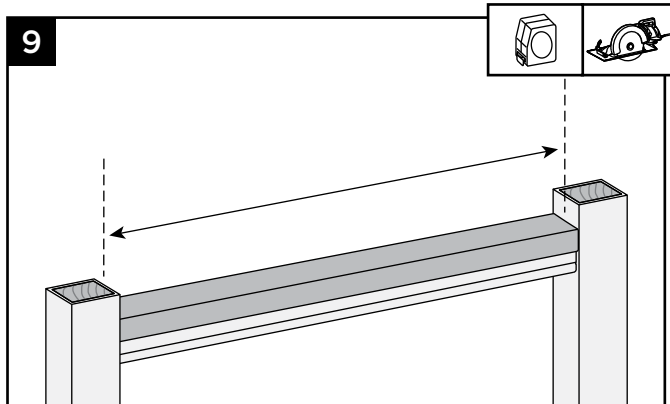
- » **36" (914 mm) high rail:**  
1/4" x 30" x 63-1/2" max.  
(6 mm x 762 mm x 1613 mm)
- » **42" (1067 mm) high rail:**  
1/4" x 36" x 63-1/2" max.  
(6 mm x 914 mm x 1613 mm)



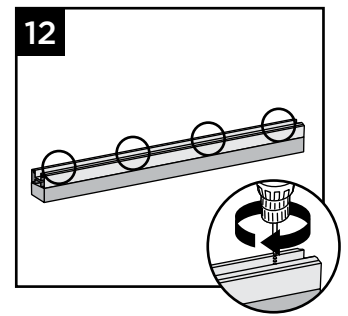
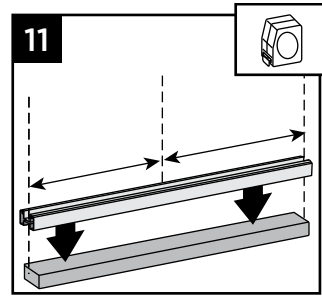
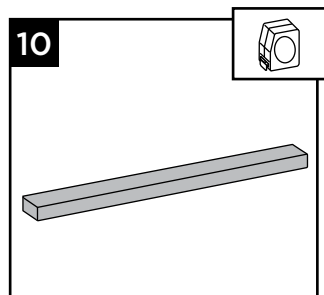
# HOW TO ATTACH TRADITIONAL STYLE GLASS PANEL RAILING/CONTINUED TREX TRANSCEND

1. **Installing Pressure-Treated Posts**  
*See instructions on page 65.*
2. **Installing Post Sleeve Skirts and Post Sleeves**  
*See instructions on page 65.*
3. **Installing Railing Support Brackets (RSBs)**  
*See instructions on page 65.*
4. **Cutting Railings**  
*See instructions on page 66.*
5. **Attaching Foot Block to Bottom Rail**  
*See instructions on page 66.*
6. **Attaching Bottom Rail (Universal Rail)**  
*See instructions on page 66.*
- 7-8. **Attaching Weatherstripping and Positioning Panel**  
*See instructions on page 71.*

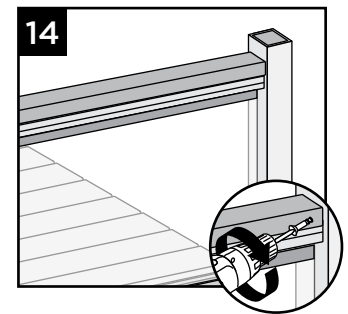
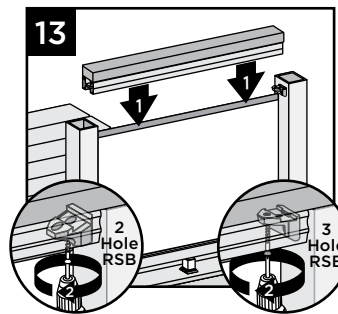
## Attaching Top Rail



9. Cut 2" x 4" (51 mm x 102 mm) to same length of the inverted Universal rail.
10. Place inverted 2" x 4" (51 mm x 102 mm) (place top side down) on clean, flat surface.



11. Place Universal rail (remembering to orient this properly so that when flipped over, the Universal rail will accept the baluster spacer and balusters), on the 2" x 4" (51 mm x 102 mm), centered.
12. Secure 2" x 4" (51 mm x 102 mm) to Universal rail with 2" (51 mm) pan head screws (*not provided*) approximately every 16" (406 mm) on center.



13. Place inverted Universal rail with 2" x 4" (51 mm x 102 mm) attached onto RSB's with glass panel in the channel. Attach Universal rail to RSB's with three self-tapping screws provided. (Use three outer holes; do not use hole in RSB that is closest to post.) If two-hole bracket is included, attach with two self-tapping screws (*provided*).
14. Pre-drill a pilot hole and toenail 2-1/2" (64 mm) composite deck screw (*not provided*) at each end of the 2" x 4" (51 mm x 102 mm) into post on back side (side not facing decking).

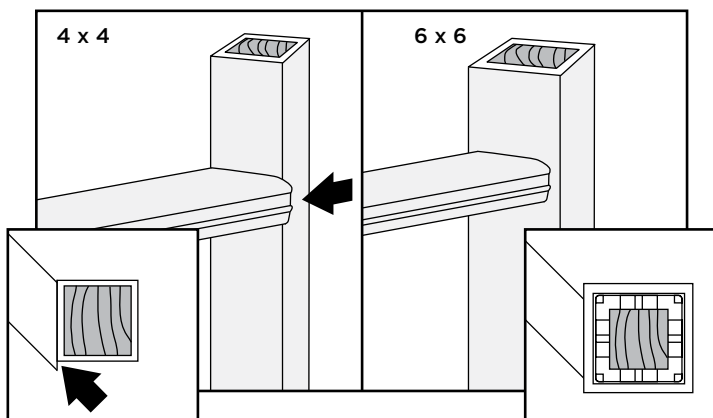
15. **Attaching Panel Support Moldings**  
*See instructions on page 71.*

- 16-17. **Hiding Brackets**  
*See instructions on page 71.*

18. **Attaching Post Caps and Installing Foot Block**  
*Attach foot block per detailed instructions.*

## HOW TO INSTALL ON-AN-ANGLE RAILING TREX TRANSCEND (CROWN AND UNIVERSAL RAILING)

**NOTE:** Trex railing brackets are designed to be installed up to a 45° angle.



### NOTES:

- » Small angles (1° - 30°). Both 4" x 4" (102 mm x 102 mm) or 6" x 6" (152 mm x 152 mm) post sleeves work well.
- » Large angles (31° - 45°). **USE ONLY 6" x 6"** (152 mm x 152 mm) post sleeves when installing on flat side.
- » 45° angles using 4" x 4" (102 mm x 102 mm) post sleeves **MUST** use Transcend Bird's Mouth brackets.
- » Using 6" x 6" (152 mm x 152 mm) post sleeves at 45° angles. Brackets are installed off-center and use 45° Transcend gaskets.
- » Railing gaskets are designed to fit at 0°, 22.5°, and 45° angles. Gaskets are labeled with appropriate angle dimension.

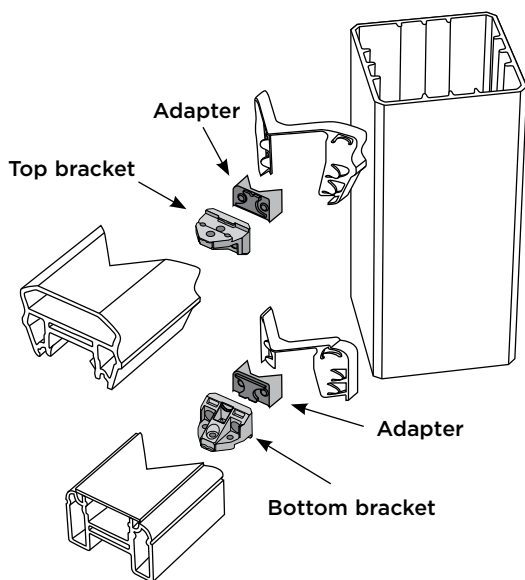
## HOW TO INSTALL CROWN AND UNIVERSAL BIRD'S MOUTH RAILING TREX TRANSCEND

### NOTES:

- » Use with 4" x 4" (102 mm x 102 mm) post sleeve **ONLY**.
- » Gaskets are only designed for use with Transcend Crown and Universal Railing.

Read all instructions before installation.

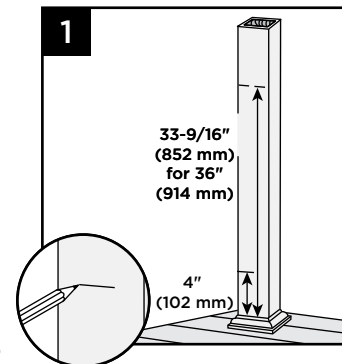
### PARTS



### Mark Posts

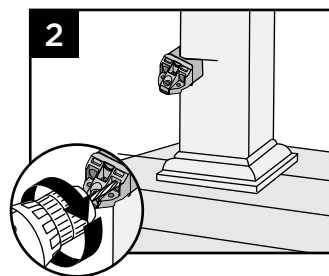
1. Measure and mark 4" (102 mm) and 33-9/16" (852 mm) up from top of post skirt.

**NOTE:** Without skirt, add 1-1/2" (38 mm) to measurements.

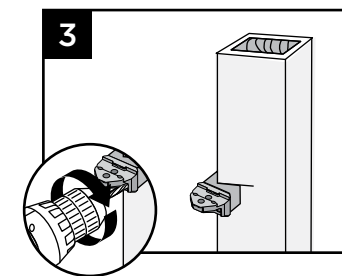


**Attaching Adapters** Snap adapters into RSBs.

### Pre-drill Bottom and Top RSBs



2. Position RSBs with adapter (**flat side DOWN**) for lower rail, mark and pre-drill screw holes with 1/8" (3 mm) drill bit on post.



3. Position RSBs with adapter (**flat side UP**) for top rail, mark and pre-drill screw holes with 1/8" (3 mm) drill bit on post.

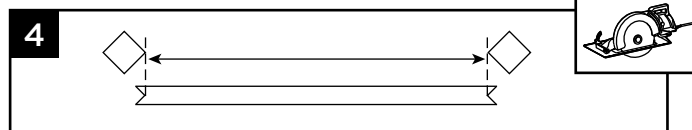




# HOW TO INSTALL CROWN AND UNIVERSAL BIRD'S MOUTH RAILING/CONTINUED

## TREX TRANSCEND

### Measuring and Cutting Rails

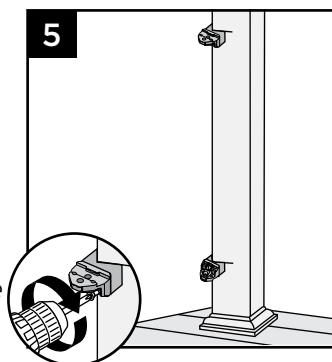


4. Measure from corner-to-corner between posts. Mark 45° cuts on rails with template on assembly tool. Center of "V's" is the distance from corner-to-corner for posts.

**NOTE:** Subtract 1/16" (1.6 mm) from each end to accommodate rail gaskets.

### Attaching Top and Bottom RSBs

5. Attach RSBs with adapters to posts with wood screws (provided).

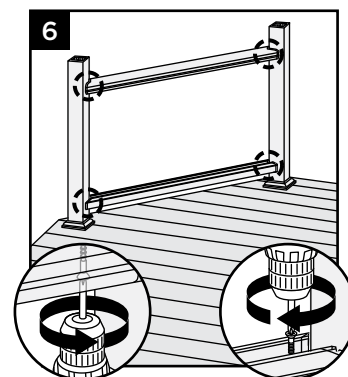


#### NOTES:

- » Drill at slight inward angle to drill holes on marks.
- » Lay cut lower rail into position on decking surface between the posts before attaching the lower RSB. There may be some difficulty attaching the lower rail if you fail to do this.

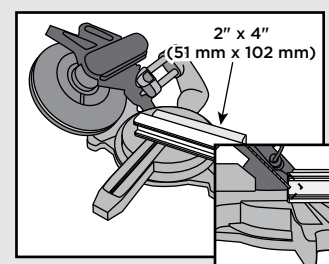
### Installing Railings to RSB's

6. Attach with self-tapping screws (provided).



### Using Miter Box Saw to Cut Rails

1. Place 2" x 4" (51 mm x 102 mm) on edge behind the rail to allow for complete cut.
2. Angle blade to 45°.
3. Set stop on saw so blade travels half the depth of rails. Several test cuts can be made on scrap material to accurately set the stop.
4. "V" cut both sides of the rail.



**NOTE:** Transcend's Crown and Universal Rails will require different stop settings.

# HOW TO INSTALL CROWN AND UNIVERSAL STAIR RAILING

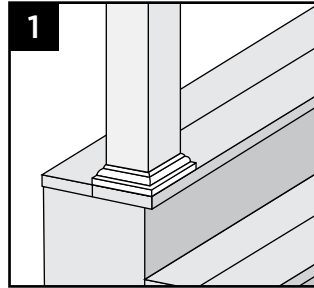
## TREX TRANSCEND®

Read all instructions BEFORE installation.

**NOTE:** All Transcend railings and gaskets **ONLY** work with stair slopes of 32°-37°.

### Installing Posts, Post Sleeve Skirts, and Post Sleeves for Stair Rails

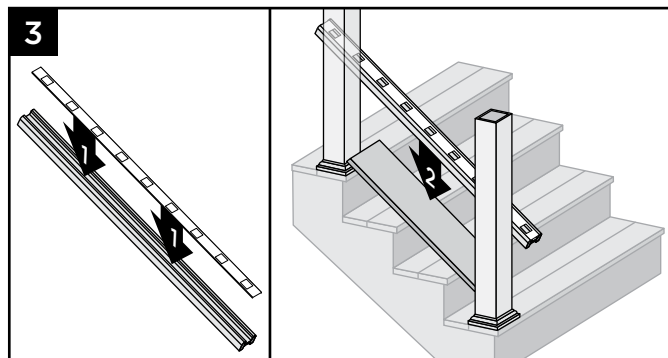
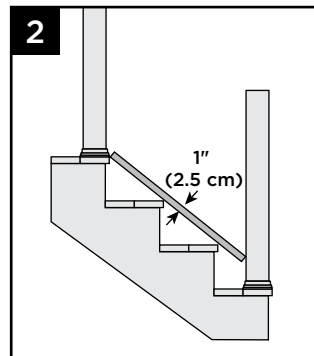
1. Install posts, post sleeve skirts, and post sleeves according to standard Transcend railing instructions. See page 65.



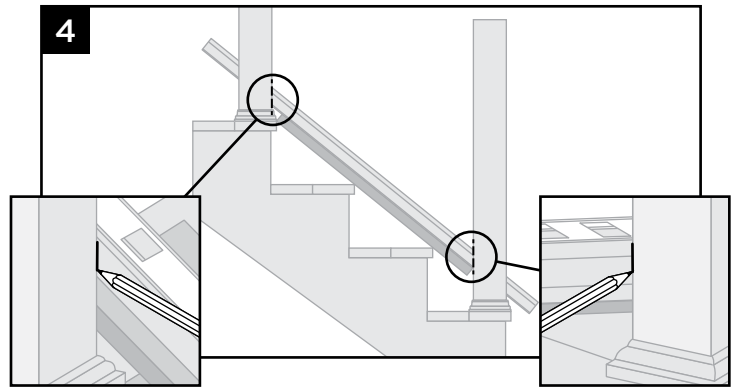
- » In most cases, a post and post sleeve longer than 39" (991 mm) will be needed on the lower section of stair rail to accommodate stair angle.
- » Make sure top and bottom posts for stairs are installed at nose of each tread.

### Measuring and Cutting Bottom Stair Rail

2. Place a 1" (254 mm) deckboard on the nose of the stair tread.

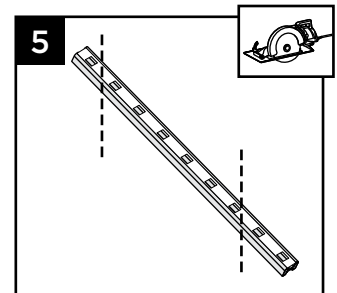


3. Snap baluster spacer into lower stair rail and lay lower stair rail on top of the deckboard.



4. Use the lower and upper stair post to set the length of the lower stair rail. Ensure that baluster spacer holes are spaced evenly between posts. Also allow for a minimum of 1-1/2" (292 mm) at each end of the stair rail for bracket placement and baluster clearance. Mark rail at post intersections.

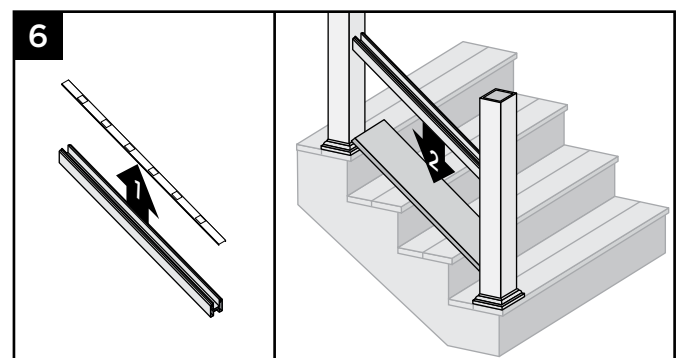
5. Remove lower rail, keeping baluster spacer in rail, and cut along marks.



#### NOTES:

- » If using railing gaskets, subtract 1/16" from each end and cut.
- » **KEEP BALUSTER SPACER IN RAILING WHEN CUTTING. CUT VERY CAREFULLY TO NOT BREAK BALUSTER SPACER.**

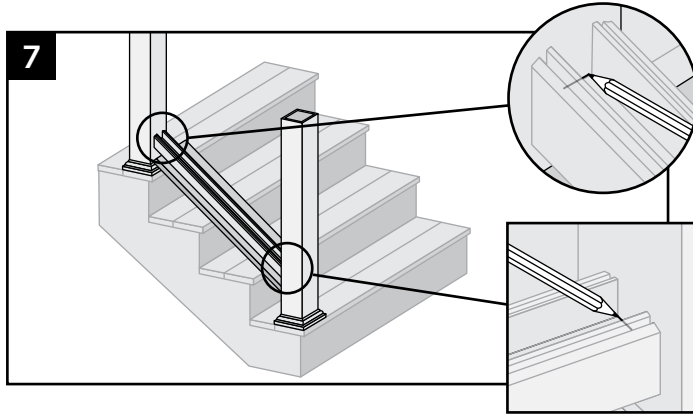
### Attaching RSB's for Bottom Stair Rail



6. Remove baluster spacer from bottom rail and place rail in between posts, keeping rail on deckboard.

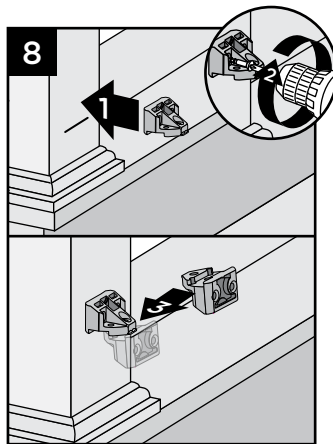
# HOW TO INSTALL CROWN AND UNIVERSAL STAIR RAILING/CONTINUED

## TREX TRANSCEND®

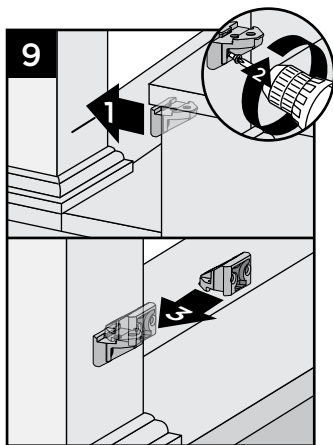


7. Mark both posts on inside channel of the bottom stair rail.  
Remove bottom stair rail.

8. For **UPPER** post - install **RSB FLAT SIDE DOWN, ABOVE MARKED LINE**, using two wood screws provided. Take second RSB, turn upside down and interlock into bracket.



9. For **LOWER** post - install **RSB FLAT SIDE UP, ABOVE MARKED LINE**, using two wood screws provided. Take second RSB, turn upside down and interlock into bracket.



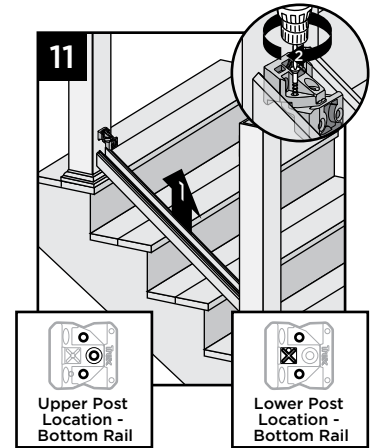
### Attaching Foot Block to Bottom Rail

10. See detailed instructions included with foot block.

### Attaching Bottom (Universal) Stair Rail

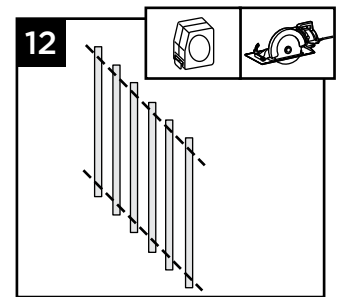
11. Lift bottom stair rail so RSB's are in the channel and attach with 3 self-tapping screws provided. Use the three outer holes in RSB to attach screws.

**Tip:** Deckboard can be placed underneath bottom stair rail to help hold rail firmly in place while attaching.

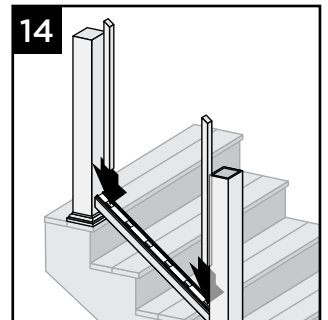
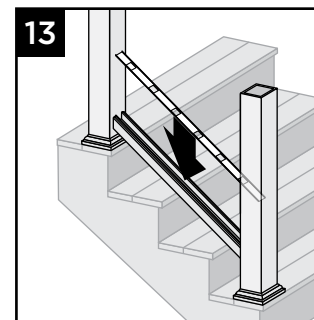


### Cutting Balusters on Angle

12. Balusters will seat properly when cut on same angle as railing. Ensure that cuts are taken from both ends/tips of balusters as shown to retain overall same length of the balusters.



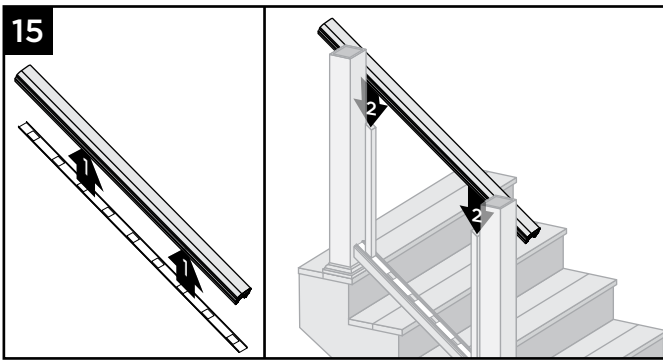
### Measuring and Cutting Top Stair Rail



13. Snap bottom baluster spacer into bottom stair rail.  
14. Place two balusters into lower stair rail at each end closest to the post.

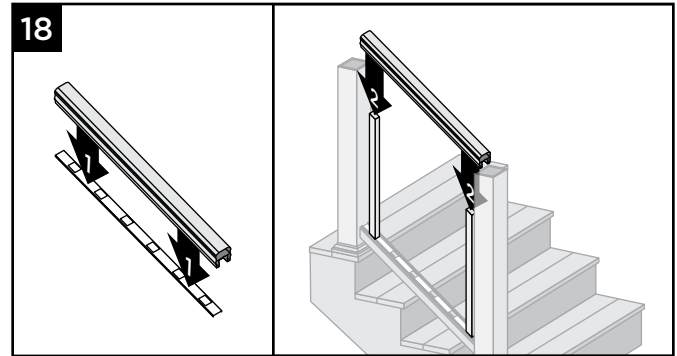
# HOW TO INSTALL CROWN AND UNIVERSAL STAIR RAILING/CONTINUED

## TREX TRANSCEND®

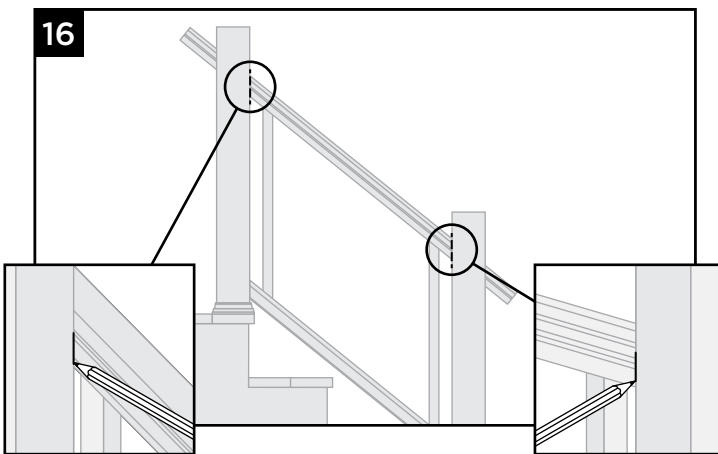


15. Snap baluster spacer into top stair rail. Position top stair rail onto balusters, ensuring balusters are fully seated in rail (position to side of post), and **ENSURE** that balusters are spaced evenly **AND** parallel with post. Also allow for a minimum of 1-1/2" (292 mm) at each end of the stair rail for bracket placement and baluster clearance.

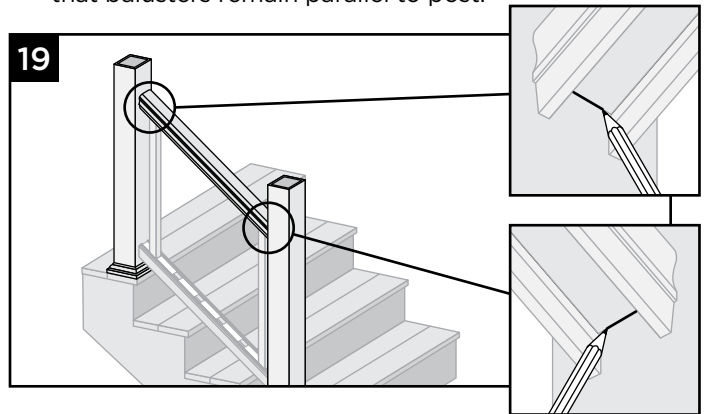
### Attaching RSB's for Top Stair Rail



18. Remove baluster spacer from top stair rail and place rail in between posts on top of balusters, **ENSURING** that balusters remain parallel to post.

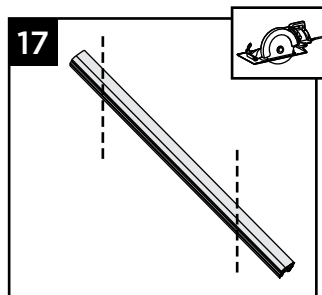


16. Mark rail at post intersection.



19. Mark both posts on inside channel of the top stair rail. Remove top stair rail.

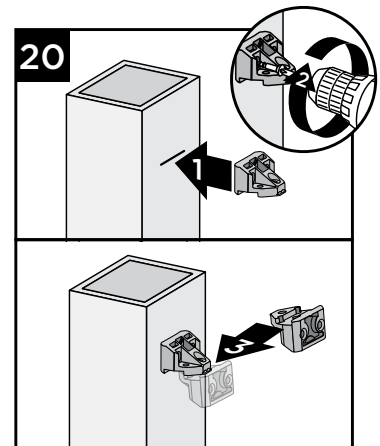
17. Remove upper rail, keeping baluster spacer in rail, and cut along marks.



#### NOTES:

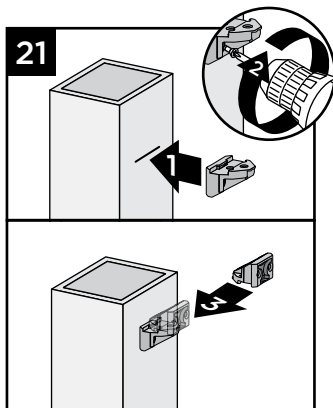
- » If using railing gaskets, subtract 1/16" from each end and cut.
- » **KEEP BALUSTER SPACER IN RAILING WHEN CUTTING. CUT VERY CAREFULLY IN ORDER TO NOT BREAK BALUSTER SPACER.**

20. For **UPPER** post - install **RSB FLAT SIDE DOWN BELOW MARKED LINE**, using two wood screws provided. Take second RSB, turn upside down and interlock into bracket.

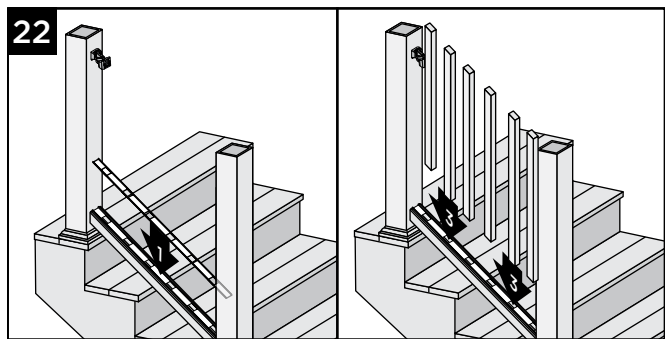


# HOW TO INSTALL CROWN AND UNIVERSAL STAIR RAILING/CONTINUED TREX TRANSCEND<sup>®</sup>

21. For **LOWER** post - install **RSB FLAT SIDE UP BELOW MARKED LINE**, using two wood screws provided. Take second RSB, turn upside down and interlock into bracket.



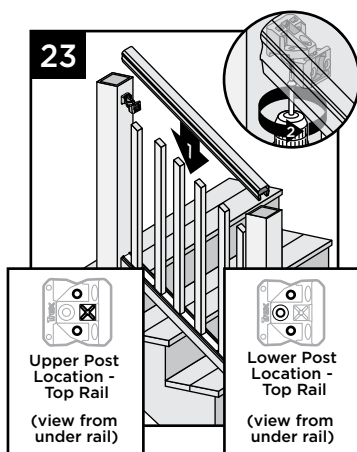
## Installing Inverted Top Baluster Spacer and Placing Balusters



22. Place inverted top baluster spacer on bottom rail/rail/baluster spacer, ensuring that baluster holes line up parallel. Install balusters into lower stair rail.

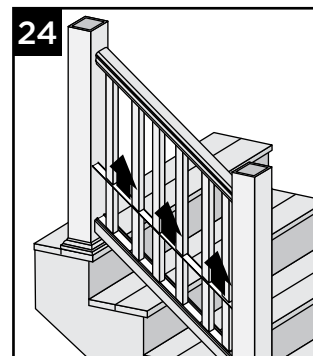
## Attaching Top Stair Rail

23. Place top stair rail on RSB's in rail channel (ensuring balusters are also in channel of rail). Attach with 3 self-tapping screws provided. Use the three outer holes in RSB to attach screws.



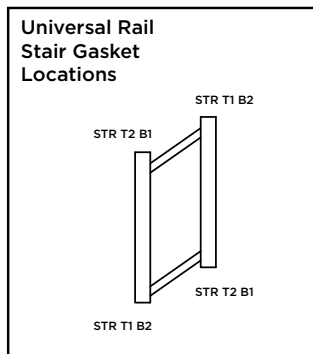
**NOTE:** If a railing configuration other than Crown railing is installed (as shown above), refer to other Railing Configurations in Horizontal sections for additional requirements.

24. Slide baluster spacer up and snap into top rail.



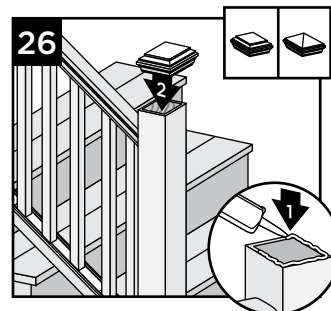
## Attaching Optional Gaskets

25. Stair railing gaskets are designed to fit at slopes of 32° to 37°. Gaskets are labeled in order to ensure correct location.



## Attaching Post Caps and Installing Foot Block

26. Secure post caps with silicone or PVC adhesive. Attach foot block per foot block instructions.



**NOTE:** Clean-up any excess adhesive before it dries.

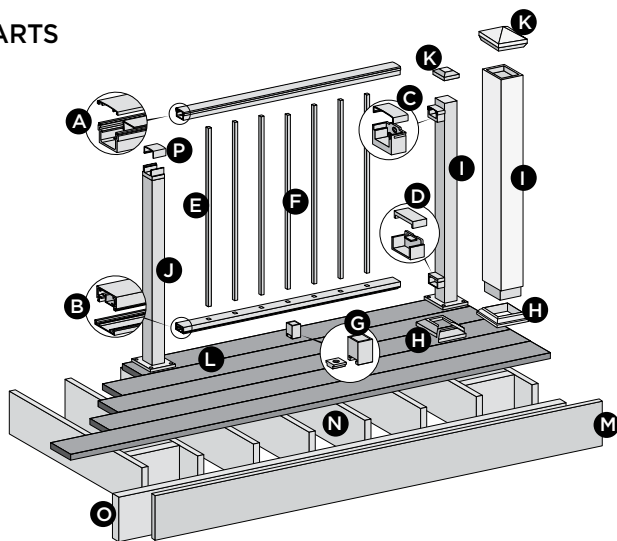


# TREX® SIGNATURE™ RAILING

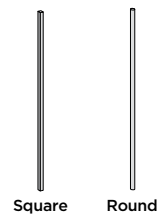
## NOTES:

- » TREX® SIGNATURE™ POSTS CANNOT BE USED WITH TREX® SIGNATURE™ TRADITIONAL OR TREX® SIGNATURE™ COCKTAIL DESIGNS, ONLY PRESSURE-TREATED POSTS/POST SLEEVES CAN BE USED. REFER TO DETAILED INSTRUCTIONS FOR MORE INFORMATION.
- » TREX® SIGNATURE™ RAILINGS ARE DESIGNED TO BE ATTACHED WITH POSTS INSTALLED AT A CLEAR SPAN OF 6' (1.83 M) OR 8' (2.44 M).
- » IF INSTALLING AT EXACT SPAN LENGTHS OF 6' (1.83 M) OR 8' (2.44 M), AND USING POST-TO-POST CONFIGURATION, THE BOTTOM RAIL WILL NOT NEED TO BE CUT, BUT THE TOP RAIL WILL NEED TO BE MEASURED (MAKING SURE BALUSTERS LINE UP VERTICALLY) AND CUT.
- » IF INSTALLING AT EXACT SPAN LENGTHS OF 6' (1.83 M) OR 8' (2.44 M), AND USING CROSSOVER POST CONFIGURATION (SPANS FROM ONE CROSSOVER POST TO ANOTHER CROSSOVER POST), BOTH THE BOTTOM RAIL AND TOP RAIL WILL NOT NEED TO BE CUT.
- » IN ADDITION, AT ALL FINAL END POST CONFIGURATIONS, TOP RAIL WILL NEED TO BE MEASURED (MAKING SURE BALUSTERS LINE UP VERTICALLY) AND CUT.
- » SEE INFORMATION WITHIN DETAILED INSTRUCTIONS FOR MORE INFORMATION.
- » SEE PAGE 59 FOR SKU NUMBERS.

## PARTS



### BALUSTER OPTIONS



### DETERMINING BALUSTERS NEEDED

| Baluster Type | Per 6' Section | Per 8' Section | Per 6' Stair Section | Per 8' Stair Section |
|---------------|----------------|----------------|----------------------|----------------------|
| Square        | 15             | 20             | 13                   | 17                   |
| Round         | 15             | 20             | 13                   | 17                   |

NOTE: THIS IS AN OVERVIEW OF ALL RAILING COMPONENTS FOR TREX® SIGNATURE™ HORIZONTAL APPLICATIONS - REFER TO DETAILED INSTRUCTIONS FOR SPECIFIC RAILING CONFIGURATIONS.

- A. Trex® Signature™ top rail and crowned cover
  - 6' (actual length 73.5" [186.7 cm])
  - 8' (actual length 97.5" [247.7 cm])
- B. Trex® Signature™ bottom rail and flat cover
  - 6' Rail (actual length 71.5" [181.6 cm])
  - 6' Cover (actual length 70.0" [177.8 cm])
  - 8' Rail (actual length 95.5" [242.6 cm])
  - 8' Cover (actual length 94.0" [238.8 cm])
- C. Trex® Signature™ upper rail bracket and cover
- D. Trex® Signature™ lower rail bracket and cover
- E. Trex® Signature™ balusters (square or round)
- F. Trex® Signature™ center baluster (square or round)
- G. Trex® Signature™ foot block\*\*
- H. Trex® Signature™ post skirt or post sleeve skirt\*
- I. Trex® Signature™ post\*
  - 36" (actual length 37" [94.0 cm])
  - 42" (actual length 43" [109.2 cm])
  - or Trex post sleeve\*\*\*
    - 36" (actual length 39" [99.1 cm])
    - 42" (actual length 45" [114.3 cm])
- J. Trex® Signature™ crossover post\*
  - 36" (actual length 34.5" [87.6 cm])
  - 42" (actual length 40.5" [102.9 cm])
- K. Trex® Signature™ post cap or post sleeve cap\*
- L. Trex decking
- M. Trex Fascia
- N. Code-approved wood joist 2" x 8" (5.1 cm x 20.3 cm) or larger
- O. Code-approved wood rim joist 2" x 8" (5.1 cm x 20.3 cm) or larger
- P. Crossover bracket cover (supplied with crossover post)

\* Item not included in Trex® Signature™ Railing kits.

\*\* Required ONLY for All Clear Span Applications over 6' (1.83 m) when smaller fixed baluster is fully centered, or unsupported spans greater than 5' (1.52 m) (example: 8' (2.44 m) span cut into one 5' (1.52 m) span and one 3' (0.91 m) span would require foot block under 5' (1.52 m) span since smaller fixed baluster is no longer centered). Included with 8' (2.44 m) railing kits.

\*\*\* Both 4" x 4" (10.2 cm x 10.2 cm) and 6" x 6" (15.2 cm x 15.2 cm) post sleeves are designed to fit over 4" x 4" pressure-treated post.

NOTE: If installing 42" (106.7 cm) railing, and using pressure-treated posts with Trex post sleeves, ensure that a longer pressure-treated post is used along with longer post sleeve, both cut to a height of 46" (116.8 cm) from decking surface.

NOTE: MUST USE TREX DECK MOUNT POST HARDWARE AND METAL PLATE WHEN ATTACHING TREX® SIGNATURE™ POSTS.

# INSTALLING TREX® SIGNATURE™ POSTS AND/OR TREX® SIGNATURE™ CROSSOVER POSTS ON WOOD OR CONCRETE

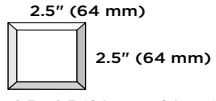
## IMPORTANT NOTES:

- » EACH POST MUST BE ATTACHED AS SHOWN TO ENSURE A CODE-COMPLIANT AND SAFE INSTALLATION.
- » TREX® SIGNATURE™ POSTS CANNOT BE USED WITH TREX® SIGNATURE™ TRADITIONAL OR TREX® SIGNATURE™ COCKTAIL DESIGNS, ONLY PRESSURE-TREATED POST/POST SLEEVES CAN BE USED. REFER TO DETAILED INSTRUCTIONS FOR MORE INFORMATION.
- » ALWAYS refer to your local building code official prior to installing any railing system to ensure all code and safety requirements are met. Trex cannot be held responsible for improper or non-recommended installations.
- » When installing Trex® Signature™ posts on ACQ, CCA or concrete surfaces, use an appropriate isolation barrier between post and surface (contact local building code official if needed).
- » For installing Trex® Signature™ Post and/or Trex® Signature™ Crossover Posts, see below.
- » For pressure-treated posts, post sleeves, and skirts, see detailed instructions provided with Trex® Signature™ Railing Kits.
- » All Trex® Signature™ stair installations require the use of a 53" (1346 mm) stair post, measured and cut to appropriate length if necessary.
- » If crossover stair post is required, use stair post (again cut to appropriate length if necessary) and use swivel crossover bracket.
- » If installing on concrete, make sure all surfaces are level.

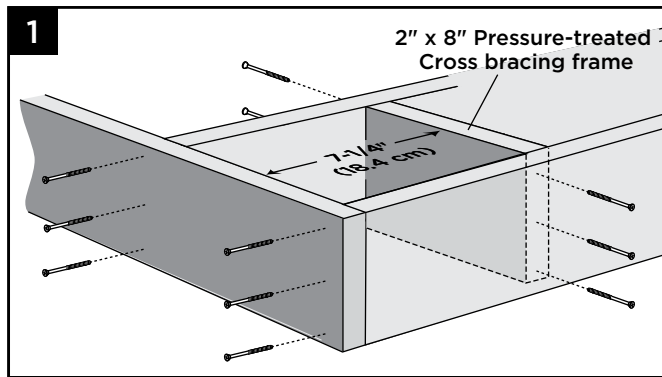
## TOOLS AND MATERIALS NEEDED

- » Drill and/or screw gun (hammer drill for concrete)
- » 1/2" (13 mm) drill bit for wood, 3/8" (10 mm) drill bit for concrete
- » Blocking - 2" x 8" (51 mm x 203 mm) pressure-treated Southern Yellow Pine or equivalent
- » Qty: 36 (per post) - 3" pressure-treated compatible wood screws

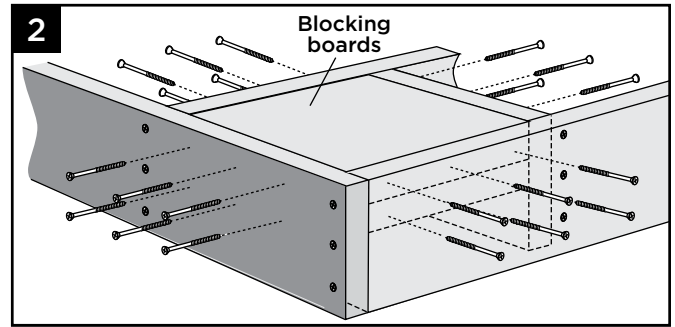
## CODE APPROVED POST APPLICATIONS

|                      |   |
|----------------------|---|
| POST SIZE            | <br>2.5 x 2.5 (64 mm x 64 mm) Post (IRC) |
| < 30" height decking | Acceptable (Code Approval not Applicable)   |
| IRC Compliant        | Yes   |
| IBC Compliant        | No  |

## Installing Trex® Signature™ Posts and/or Trex® Signature™ Crossover Posts on Pressure-Treated Wood Framing (Corner Post Installation)



1. Install 2" x 8" (51 mm x 203 mm) cross bracing frame in between joists at 7-1/4" (184 mm). Attach a total of twelve 3" (76 mm) pressure-treated compatible screws (not provided).

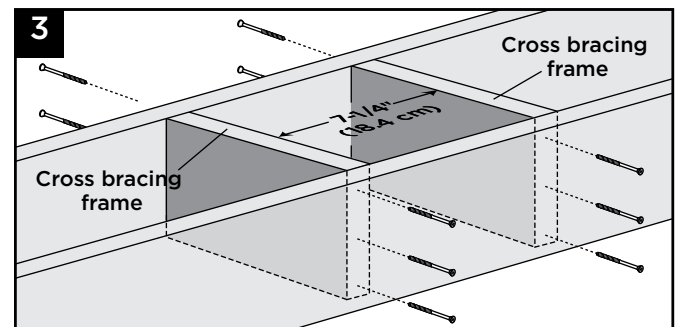


2. Install two 2" x 8" (51 mm x 203 mm) boards as blocking under post location. Securely attach blocking using a total of 24 3" (76 mm) pressure-treated compatible screws (not provided).

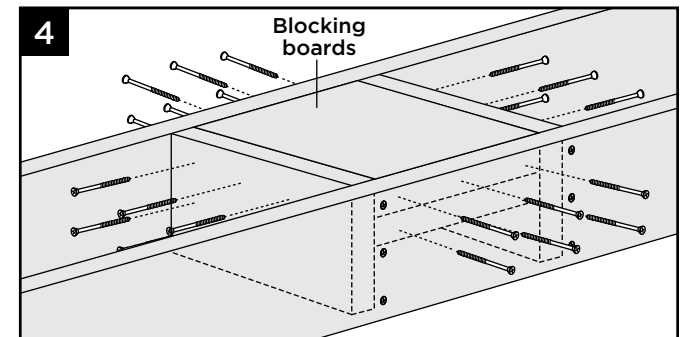
**NOTE:** TO ENSURE THE BLOCKING IS FULLY SECURE, USE THE AMOUNT OF SCREWS indicated ABOVE.

**TIP:** Use two additional screws to "sandwich" blocking boards together for easier attachment to framing.

## Line Post Installation



3. Install two 2" x 8" (51 mm x 203 mm) cross bracing frames in between joists at 7-1/4" (184 mm). Attach a total of twelve 3" (76 mm) pressure-treated compatible screws (not provided).

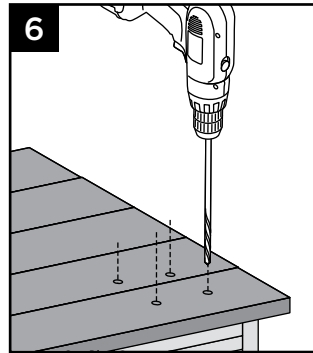
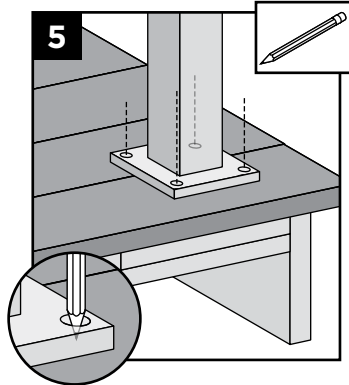


4. Install two 2" x 8" (51 mm x 203 mm) boards as blocking under post location. Securely attach blocking using a total of twenty-four 3" (76 mm) pressure-treated compatible screws (not provided).

# INSTALLING TREX® SIGNATURE™ POSTS AND/OR TREX® SIGNATURE™ CROSSOVER POSTS ON WOOD OR CONCRETE/CONTINUED

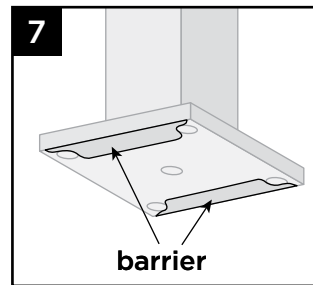
## NOTES:

» *Metal backplate is only required for 2.5" (64 mm) post in IRC installations. (Consult local code official for more information.)*

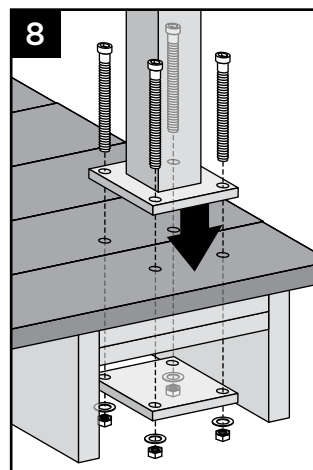


5. Using post as a template, mark locations of holes.
6. Drill through decking and blocking boards using 5/8" diameter bit (long drill bit will be required).

7. Insert the (2) stainless steel barrier strips under the mounting bolt holes. **BARRIER STRIPS ARE REQUIRED ONLY IF ATTACHING POST DIRECTLY TO PRESSURE TREATED FRAMING.**

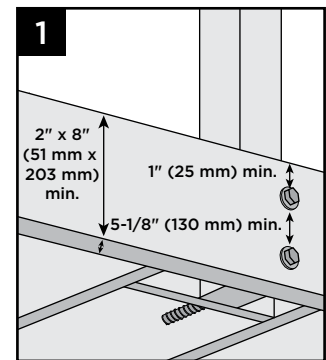


8. Attach posts using four 3/8" x 6" (10 mm x 152 mm) hex cap bolts, washers, and nuts, along with aluminum back plate on underside of blocking. If the project requires IRC compliance, this back plate **MUST** be installed under the decking to ensure this will meet code compliance. Reference SKU part number ALPOSTHWDECK for required hardware and aluminum plate. (Consult local code official for more information on IRC Compliance.)



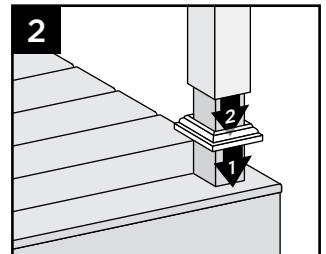
## INSTALLING PRESSURE-TREATED POSTS, POST SLEEVES, AND SKIRTS TO USE WITH TREX® SIGNATURE™ RAILING

1. Attach posts using 1/2" (13 mm) carriage bolts.
  - » Minimum joist size is 2" x 8" (51 mm x 203 mm).
  - » Top bolts must be 1" (25 mm) from top of joists.
  - » Bottom bolts must be 5-1/8" (130 mm) from top bolts.



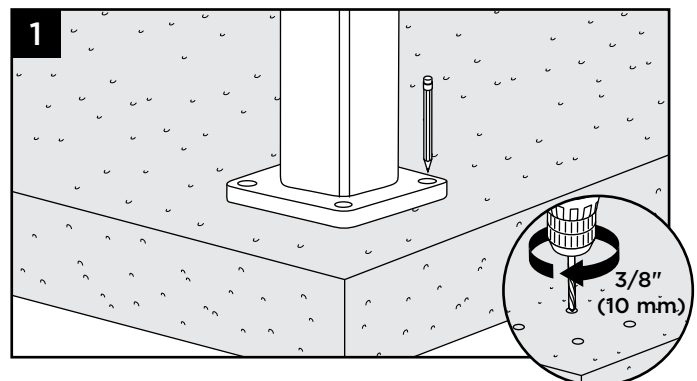
**NOTE:** Blocking can be added for extra strength.

2. Slide post sleeve skirt over post and down to rest on decking surface. Slide post sleeve over post and position inside post sleeve skirt.



**NOTE:** Shims can be used to plumb post sleeves.

## Installing Trex® Signature™ Posts on Concrete Pre-Drilled Holes

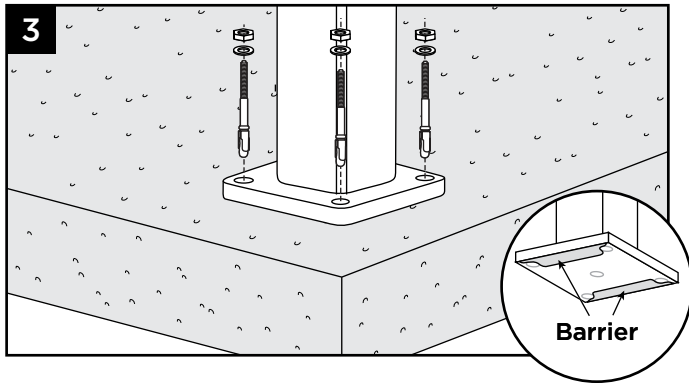


1. Using post as a template, mark locations of the four holes and drill into concrete at least 2-5/8" (67 mm) using a 3/8" (10 mm) masonry bit.

**NOTE:** You can either set drill bit to correct depth on drill or mark drill bit with tape at required dimension to ensure all holes are drilled at correct depth.

2. Clean out holes to remove all concrete dust using a shop vacuum or other appropriate tool.

# INSTALLING TREX® SIGNATURE™ POSTS AND/OR TREX® SIGNATURE™ CROSSOVER POSTS ON WOOD OR CONCRETE/CONTINUED

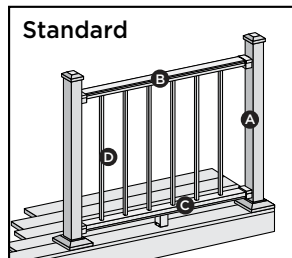


3. Insert (2) stainless steel barrier strips under mounting bolt holes. Use appropriate shims if posts are not plumb. Attach posts using four TREX SUPPLIED 3/8" x 3-3/4" (10 mm x 95 mm) wedge anchors. Reference SKU part number ALPOSTHWCONC for required hardware (wedge anchors, washers, and nuts).

### NOTES:

- » When using hammer to tap anchors in place, keep threaded nut at top of anchor in order to not damage threads.
- » Recommended torque for anchors is 20 ft-lbs.

## TREX® SIGNATURE™ RAILING CONFIGURATIONS

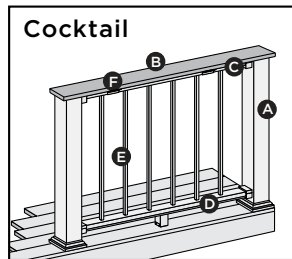


Cutting posts/post sleeves is **NOT** required.

- A. Trex® Signature™ post, pressure-treated post or Trex Post Mounts\* with Trex Transcend post sleeves, or Trex Joist Mount Posts\*
- B. Trex® Signature™ top rail
- C. Trex® Signature™ bottom rail
- D. Trex® Signature™ balusters

See page 86 for "How to Install Standard Railing".

**\*NOTE:** See specific installation instructions for attachment of Trex post mounts or Trex Joist Mount Posts prior to installing any railing.

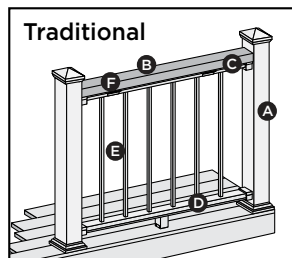


Post sleeves will need to be cut.

- A. Pressure-treated post with Trex Transcend post sleeve  
**NOTE:** » Only for use with 4" x 4" (102 mm x 102 mm) post sleeve.  
» Trex® Signature™ Posts, Trex Post Mounts or Joist Mount Posts cannot be used with Trex® Signature™ Cocktail design.
- B. Deck board top rail. **NOTE:** Enhance (scalloped profile) and Escapes cannot be used.
- C. Trex® Signature™ top rail
- D. Trex® Signature™ bottom rail
- E. Trex® Signature™ balusters
- F. Trex® Signature™ Cocktail Rail Bracket\*\*

See page 98 for "How to Install Signature Cocktail Railing".

**POST SLEEVES WILL NEED TO BE CUT**



Cutting posts/post sleeves is Not required.

- A. Pressure-treated post, Trex Post Mounts\* or Trex Joist Mount Post WITH Trex Transcend post sleeves.  
**NOTE:** » Trex® Signature™ Posts or Trex® Signature™ Joist Mount Posts cannot be used.
- B. 2" x 4" (51 mm x 102 mm) lateral top rail
- C. Trex® Signature™ top rail
- D. Trex® Signature™ bottom rail
- E. Trex® Signature™ balusters
- F. Trex® Signature™ Cocktail Rail Bracket\*\*

See page 99 for "How to Install Trex® Signature™ Traditional Railing".

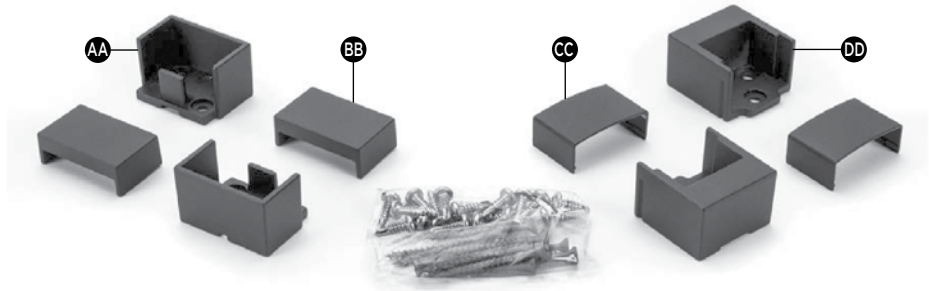
\*\* Trex® Signature™ Cocktail Rail brackets (sold separately) are for use with either Trex® Signature™ Traditional or Trex® Signature™ Cocktail designs. For a 6' section, use 4 brackets and screws provided, for 8' section, use 5 brackets and screws provided.

# BRACKET HARDWARE - HORIZONTAL APPLICATIONS (INCLUDING HORIZONTAL SWIVEL BRACKETS)

TREX® SIGNATURE™

## HORIZONTAL RAILING HARDWARE

- AA. Lower rail bracket
- BB. Lower rail bracket cover
- CC. Upper rail bracket cover
- DD. Upper rail bracket



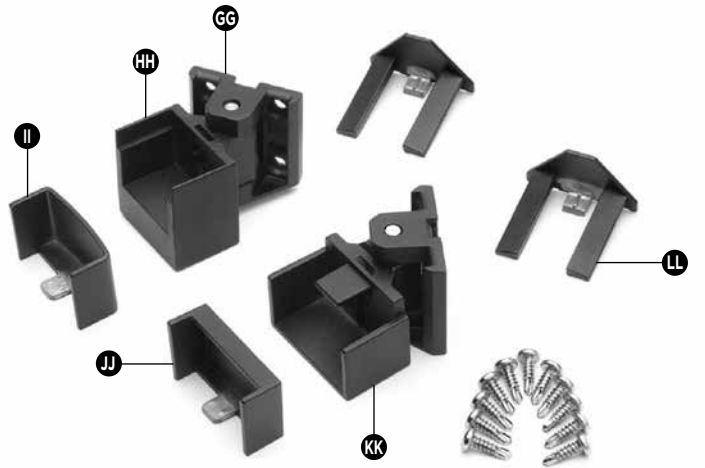
## FOOT BLOCK COMPONENTS

- EE. Foot block base
- FF. Foot block support



## HORIZONTAL SWIVEL HARDWARE

- GG. Swivel base
- HH. Horizontal swivel bracket top rail
- II. Horizontal swivel bracket top rail cover
- JJ. Horizontal swivel bracket bottom rail cover
- KK. Horizontal swivel bracket bottom rail
- LL. Swivel base cover



*NOTE: Construction methods are always improving. Please refer to [www.trex.com](http://www.trex.com) for the most up-to-date installation requirements.*



# HOW TO INSTALL HORIZONTAL RAILING

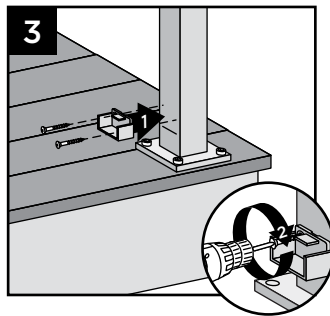
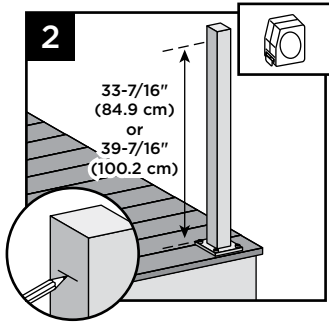
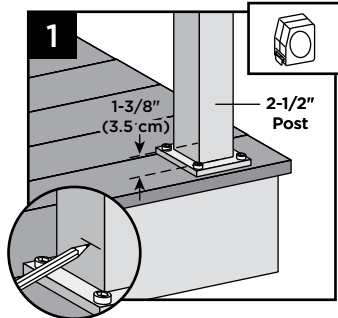
## TREX® SIGNATURE™ STANDARD

**NOTE: FOR EASE OF INSTALLATION, IT IS RECOMMENDED THAT YOU USE THE TREX® SIGNATURE™ RAIL TEMPLATES TO ATTACH BRACKETS (SOLD SEPARATELY).**

### Attach Brackets Using Trex® Signature™ Posts

**TIP:** Use a clamp to help hold brackets in place while fastening with screws.

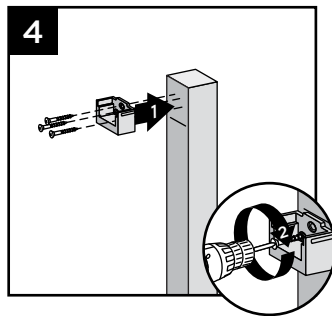
1. Measure 1-3/8" (3.5 cm) from top of post base plate or 1-7/8" (4.8 cm) from decking surface. Mark with light line.



2. Measure up from post base plate 33-7/16" (84.9 cm) for 36" (92 cm) rail height or 39-7/16" (100.2 cm) for 42" (107 cm) rail height. Mark with light line.

**NOTE:** If measuring from decking surface, measure up 33-15/16" (86.2 cm) for 36" (92 cm) rail height or 39-15/16" (101.4 cm) for 42" (107 cm) rail height.

3. Center lower bracket on post **above** the marked line and attach using two self-tapping screws (provided).
4. Center upper bracket on post **above** marked line and attach using (3) self-tapping screws (provided).

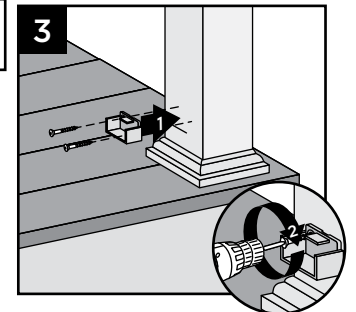
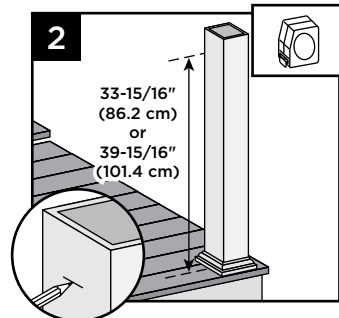
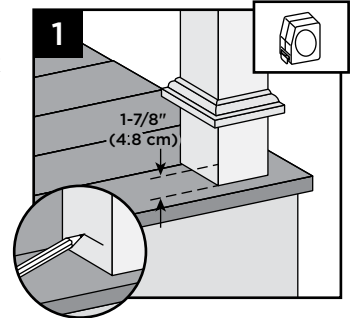


**NOTE:** Upper bracket is not required on crossover post configuration.

### Attach Brackets Using Pressure-Treated Posts and Post Sleeves

**TIP:** Use a clamp to help hold brackets in place while fastening with screws.

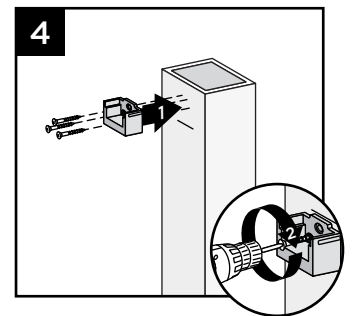
1. Measure 1-7/8" (4.8 cm) up from deck surface to bottom of bracket. Slide skirt up to allow for proper measurement. Mark with light line.



2. Measure up from decking surface 33-15/16" (86.2 cm) for 36" (92 cm) rail height or 39-15/16" (101.4 cm) for 42" (107 cm) rail height. Mark with light line.

**NOTE:** Push skirt back down onto surface of decking **BEFORE ATTACHING BRACKETS.**

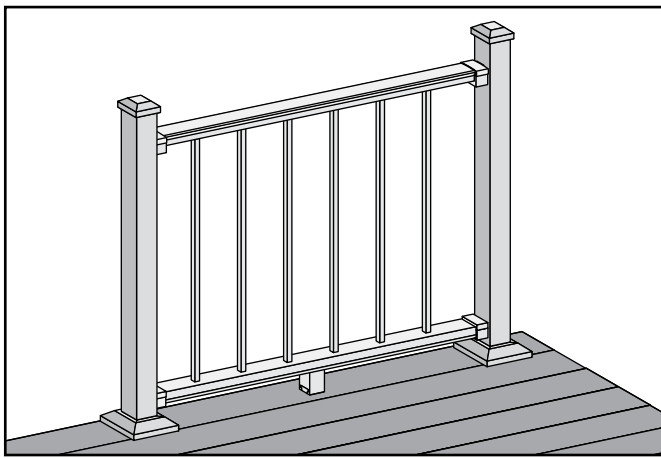
3. Center lower bracket on post **above** the marked line and attach using two 2" (51 mm) wood screws (provided).
4. Center upper bracket on post **above** marked line and attach using three 2" (51 cm) wood screws (provided).



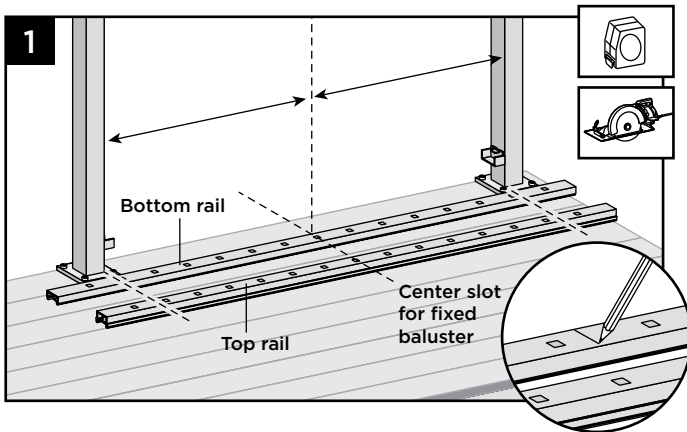
# HOW TO INSTALL HORIZONTAL RAILING POST TO POST TREX® SIGNATURE™

## NOTES:

- » TREX® SIGNATURE™ RAILINGS ARE DESIGNED TO BE ATTACHED WITH POSTS INSTALLED AT A CLEAR SPAN OF 6' (1.83 M) OR 8' (2.44 M).
- » IF INSTALLING AT EXACT SPAN LENGTHS OF 6' (1.83 M) OR 8' (2.44 M), AND USING POST-TO-POST CONFIGURATION, THE BOTTOM RAIL WILL NOT NEED TO BE CUT, BUT THE TOP RAIL WILL NEED TO BE MEASURED (MAKING SURE BALUSTERS LINE UP VERTICALLY) AND CUT.
- » FOR ODD SPAN LENGTHS, BOTH TOP RAIL AND BOTTOM RAIL WILL NEED TO BE MEASURED (MAKING SURE BALUSTERS LINE UP VERTICALLY) AND CUT. ENSURE THAT BALUSTERS ARE SPACED WITH AN EQUAL DISTANCE ON EACH SIDE OF THE POST.
- » WHEN RAILINGS ARE CUT TO ODD SPANS, ALL SPANS GREATER THAN 5' (1.52 M) (EXAMPLE: 8' (2.44 M) SPAN CUT INTO ONE 5' (1.52 M) SPAN AND ONE 3' (0.91 M) SPAN) WOULD REQUIRE FOOT BLOCK UNDER 5' (1.52 M) SPAN SINCE SMALLER FIXED BALUSTER IS NO LONGER CENTERED.



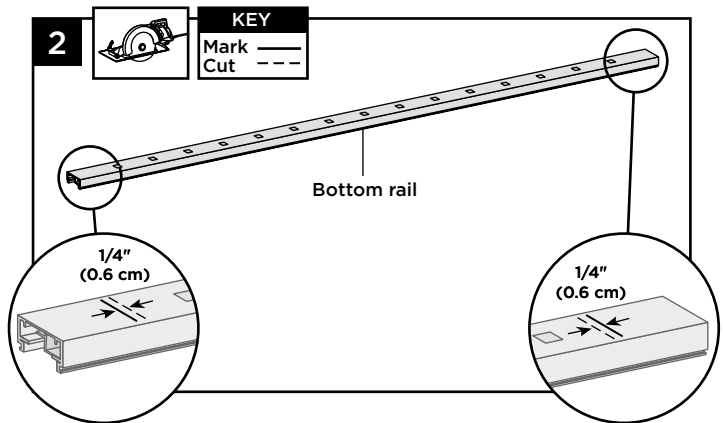
## How to Measure and Cut Bottom and Top Railings (When Required)



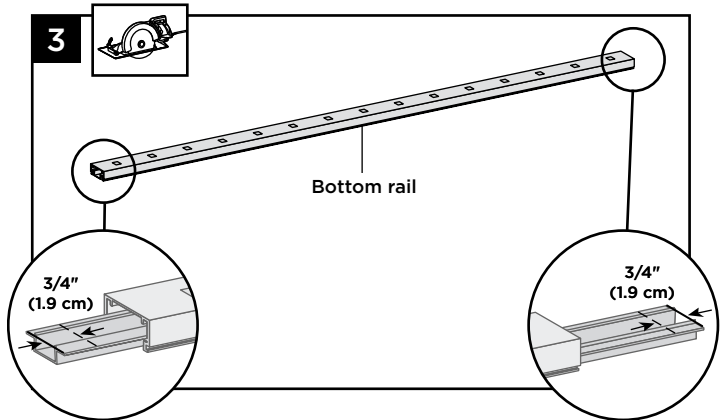
1. Position bottom and top rails between posts and align with bottom bracket. Align the center baluster slot in both rails with the middle of the span between posts.\* This will allow an equal number of baluster holes on each side of center slot. Mark bottom rail and top rail at each end (ensure both rails are centered between posts).

\* In some cases, due to odd railing spans, the center baluster may need to be offset in one direction to ensure there is enough room at both post locations for balusters to be placed. Review this BEFORE cutting any railings to ensure all balusters are equally spaced.

## Cutting Bottom Rail and Bottom Rail Cover

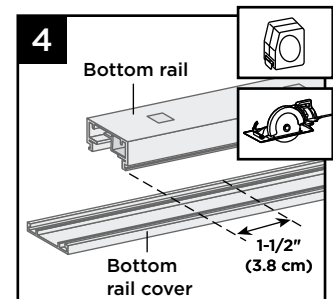


2. Cut each end of bottom rail 1/4" (0.6 cm) shorter than mark on each end to allow for fit into bottom rail brackets.



3. Slide rail insert out and cut 3/4" (19 mm) FROM EACH SIDE of insert, then slide back inside rail and center.

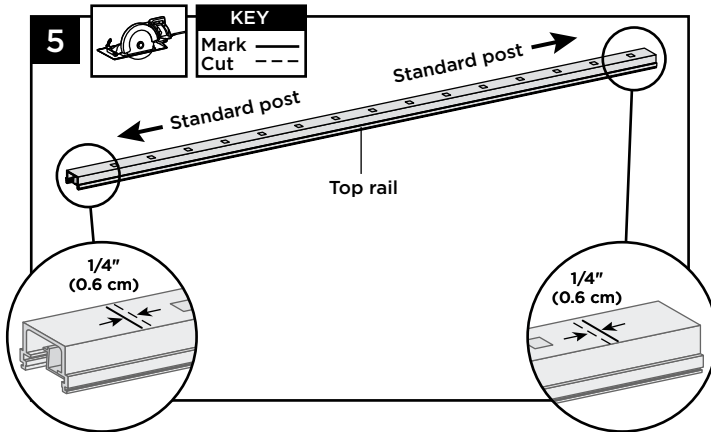
4. Mark and cut bottom rail cover 1-1/2" (38 mm) shorter than bottom rail.



# HOW TO INSTALL HORIZONTAL RAILING POST TO POST/CONTINUED

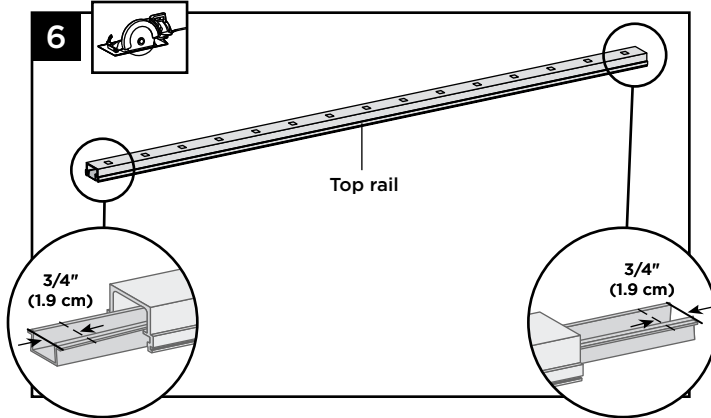
## TREX® SIGNATURE™

### Cutting Top Rail

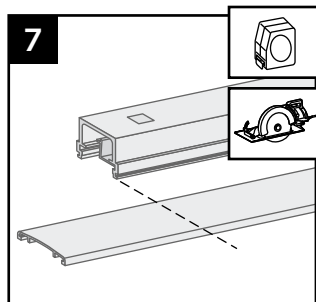


5. Cut each end of top rail 1/4" (0.6 cm) shorter than mark to allow for fit into top rail brackets.

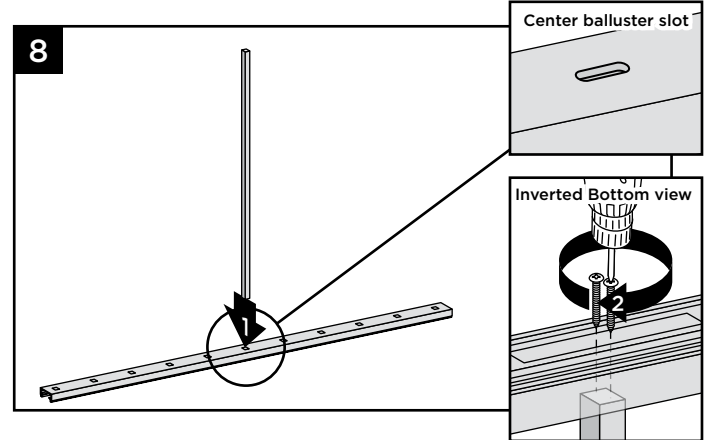
### Cutting Top Rail Insert and Cover



6. Slide rail insert out and cut 3/4" (1.9 cm) **FROM EACH SIDE** of insert, then slide back inside rail and center.
7. Mark and cut top rail cover same length as top rail for all top rail configurations.

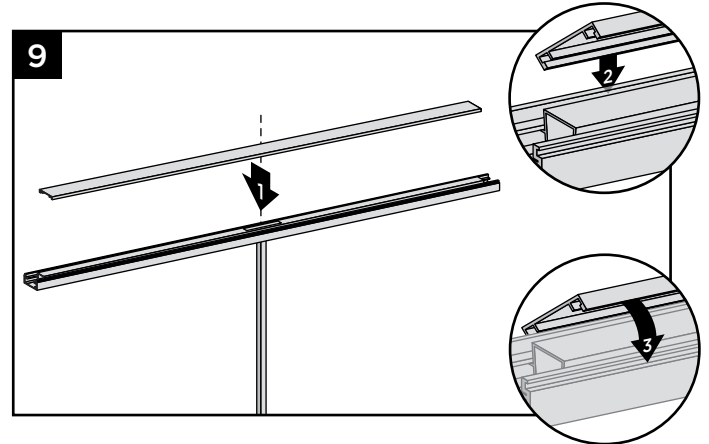


### Attaching Center Baluster to Bottom Rail



8. Attach shorter, center baluster in center slot in bottom rail using two #8 x 1-1/4" (3.2 cm) screws (provided).

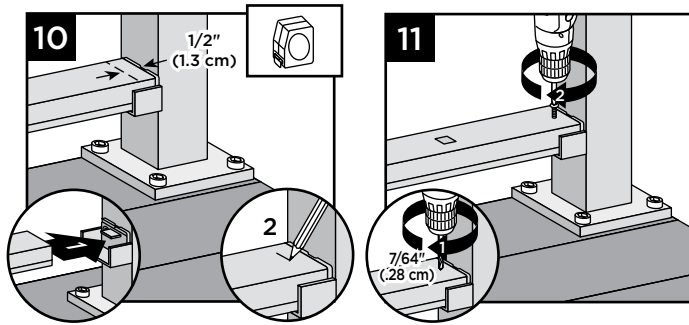
### Attaching Bottom Rail Cover and Bottom Rail to Brackets



9. Attach "flat" bottom rail cover to bottom rail by first centering cover on bottom rail (this will allow gap on each end of bottom rail for placement into brackets). Align cover on one side of bottom rail in slot on side of rail. Then starting from one end of rail snap cover onto opposing slot working down the length of rail. In some cases, **GENTLE** tapping with a **rubber mallet** may facilitate fastening.

# HOW TO INSTALL HORIZONTAL RAILING POST TO POST/CONTINUED

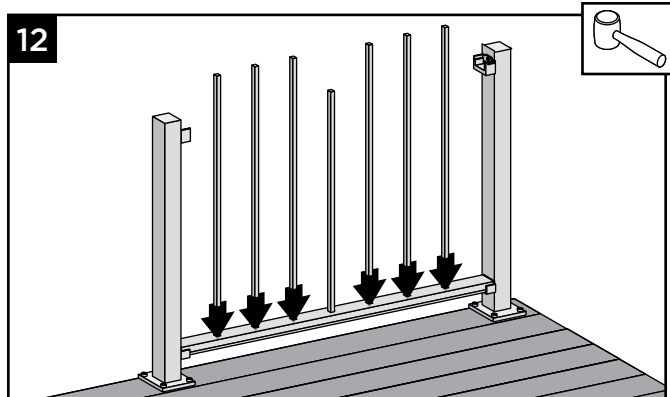
## TREX® SIGNATURE™



10. Set bottom rail into bottom brackets. Tabs on brackets will be inside of bottom rail (not shown when railing is attached). To ensure fit into tab, measure and mark 1/2" (1.3 cm) out from side of post.
11. Attach bottom rail to bottom bracket by fastening through marked measurement on top of rail into tab on bottom bracket using one self-tapping screw each side (*provided*).

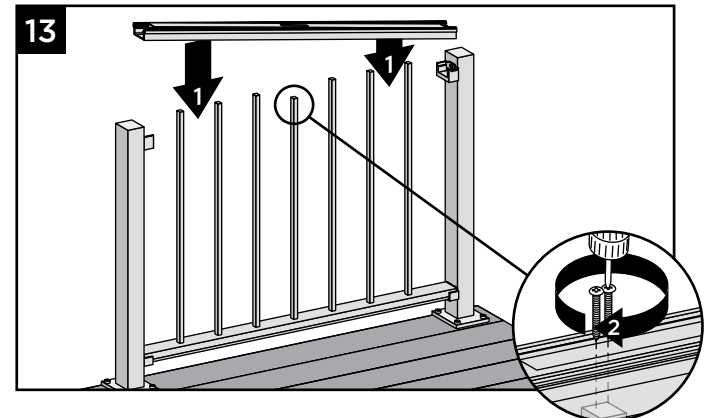
**NOTE:** Pre-drilling is required (7/64" [0.28 cm] drill bit) for attachment of railing to bracket.

### Installing Remaining Balusters into Bottom Rail



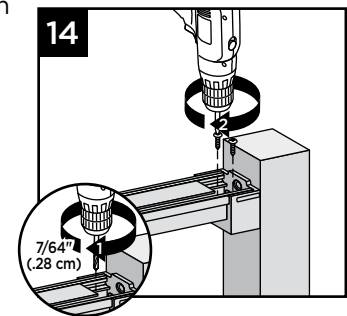
12. Place remaining balusters into holes in lower rail by snapping fully into place. In some cases, **GENTLE** tapping with a **rubber mallet** may facilitate fastening.

### Attach Upper Railings

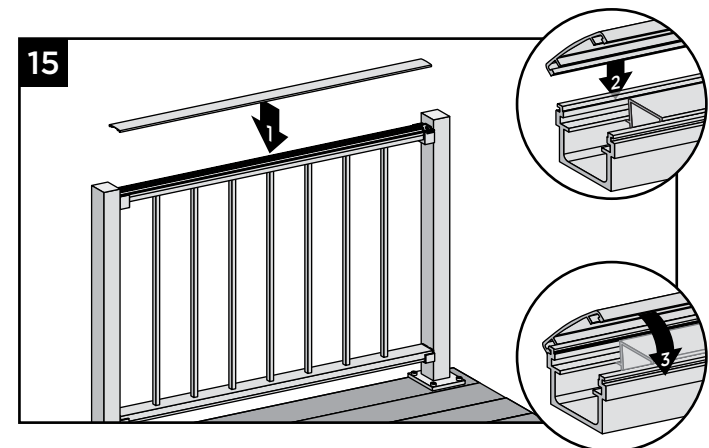


13. Working from one end of upper rail, snap balusters into upper rail working down length of rail. Fasten center baluster into center slot using two #8 x 1-1/4" (3.2 cm) screws (*provided*).

14. Fasten upper rail to each bracket by installing screws diagonally through upper rail into bracket using two self-tapping screws each side (*provided*).



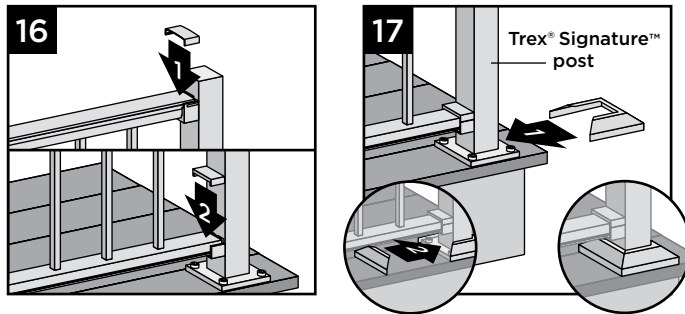
**NOTE:** Pre-drilling is required (7/64" [0.28 cm] drill bit) for attachment of railing to bracket.



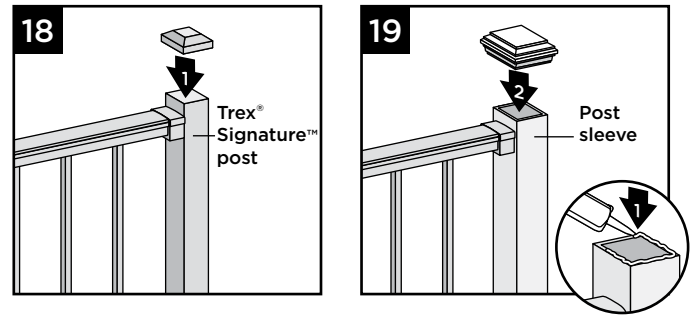
15. Attach "crowned" upper rail cover to upper rail by aligning cover on one side of rail. Then starting from one end of rail, snap cover onto opposing slot working down length of rail. **GENTLE** tapping with a **rubber mallet** may facilitate fastening.

# HOW TO INSTALL HORIZONTAL RAILING POST TO POST/CONTINUED TREX® SIGNATURE™

## Attachment of Bracket Covers, Skirts, and Caps



16. Attach corresponding bracket covers over opening in upper and bottom rails.
17. Attach provided post skirt to bottom of posts when using Trex® Signature™ posts.



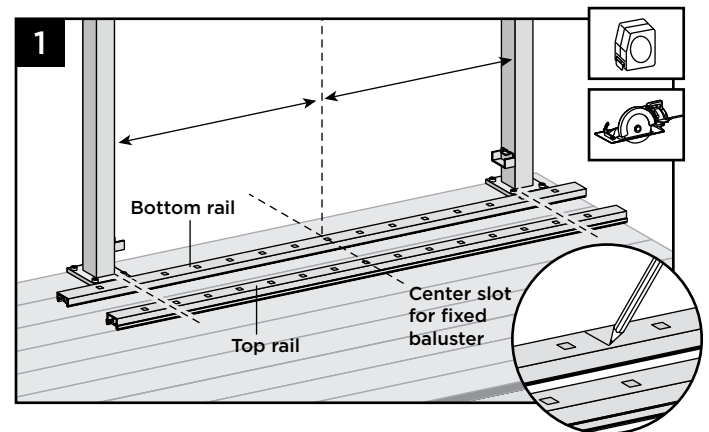
18. Attach post caps to Trex® Signature™ posts. (Use of **rubber mallet** may be required for secure attachment.)
19. Attach post caps to post sleeves using external grade PVC construction adhesive.
20. **Attachment of Foot Block**  
See instructions on page 104.

# HOW TO INSTALL HORIZONTAL RAILING POST TO CROSSOVER POST TREX® SIGNATURE™

## NOTES:

- » TREX® SIGNATURE™ RAILINGS ARE DESIGNED TO BE ATTACHED WITH POSTS INSTALLED AT A CLEAR SPAN OF 6' (1.83 M) OR 8' (2.44 M).
- » IF INSTALLING AT EXACT SPAN LENGTHS OF 6' (1.83 M) OR 8' (2.44 M), AND USING POST-TO-CROSSOVER POST CONFIGURATION, THE BOTTOM RAIL WILL NOT NEED TO BE CUT, BUT THE TOP RAIL WILL NEED TO BE MEASURED (MAKING SURE BALUSTERS LINE UP VERTICALLY) AND CUT.
- » AT ALL FINAL END POST CONFIGURATIONS, TOP RAIL WILL NEED TO BE MEASURED (MAKING SURE BALUSTERS LINE UP VERTICALLY) AND CUT.
- » FOR ODD SPAN LENGTHS, BOTH TOP RAIL AND BOTTOM RAIL WILL NEED TO BE MEASURED (MAKING SURE BALUSTERS LINE UP VERTICALLY) AND CUT. ENSURE THAT BALUSTERS ARE SPACED WITH AN EQUAL DISTANCE ON EACH SIDE OF THE POST.
- » WHEN RAILINGS ARE CUT TO ODD SPANS, ALL SPANS GREATER THAN 5' (1.52 M) (EXAMPLE: 8' (2.44 M) SPAN CUT INTO ONE 5' (1.52 M) SPAN AND ONE 3' (0.91 M) SPAN) WOULD REQUIRE FOOT BLOCK UNDER 5' (1.52 M) SPAN SINCE SMALLER FIXED BALUSTER IS NO LONGER CENTERED.

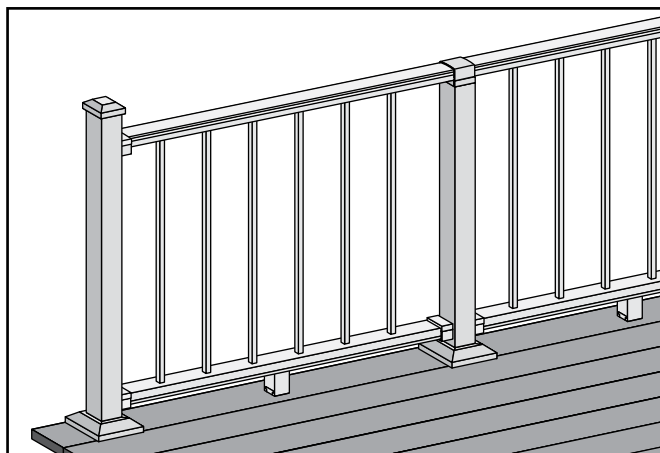
## How to Measure, Mark and Cut Bottom and Top Railings (When Required)



**Important: DO NOT** cut top rail the same length as bottom rail.

1. Position bottom and top rails between posts and align with bottom bracket. Align the center baluster slot in both rails with the middle of the span between posts.\* This will allow an equal number of baluster holes on each side of center slot. Mark bottom rail and top rail at each end (ensure both rails are centered between posts).

\* In some cases, due to odd railing spans, the center baluster may need to be offset in one direction to ensure there is enough room at both post locations for balusters to be placed. Review this BEFORE cutting any railings to ensure all balusters are equally spaced.



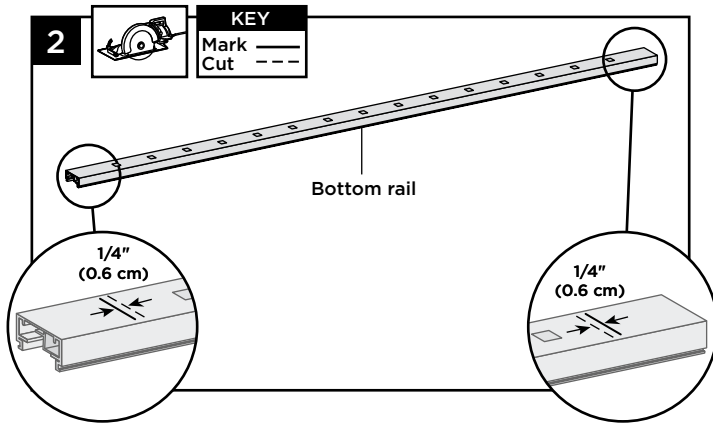


# HOW TO INSTALL HORIZONTAL RAILING POST TO CROSSOVER POST

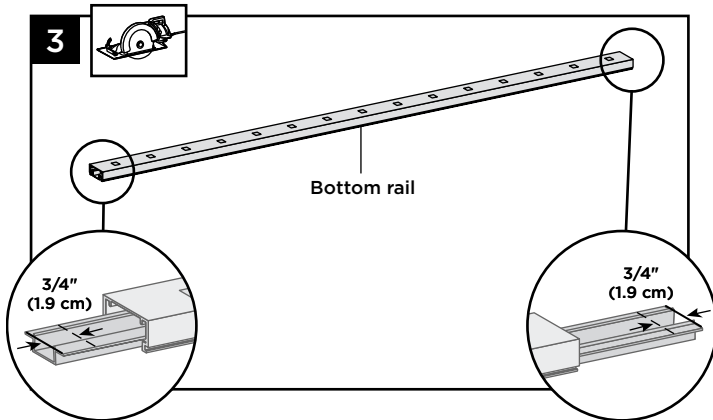
## POST/CONTINUED

TREX® SIGNATURE™

### Cutting Bottom Rail and Bottom Rail Cover ONLY

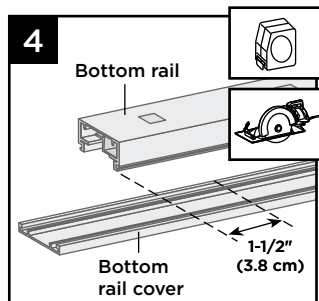


2. Cut each end of bottom rail 1/4" (0.6 cm) shorter than mark on each end to allow for fit into bottom rail brackets.

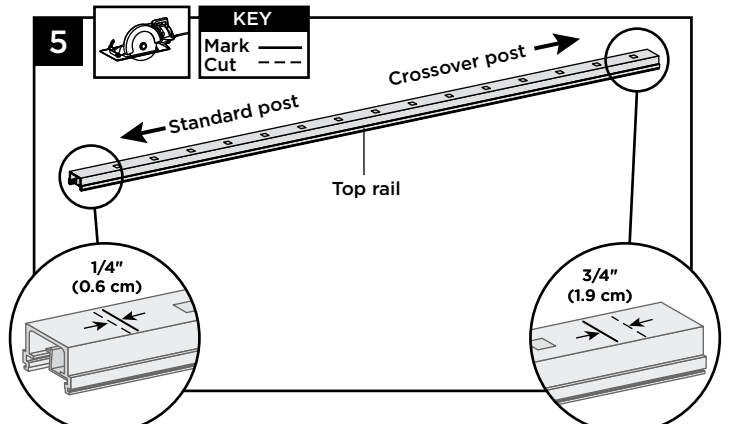


3. Slide rail insert out and cut 3/4" (1.9 cm) FROM EACH SIDE of insert, then slide back inside rail and center.

4. Mark and cut bottom rail cover 1-1/2" (3.8 cm) shorter than bottom rail.

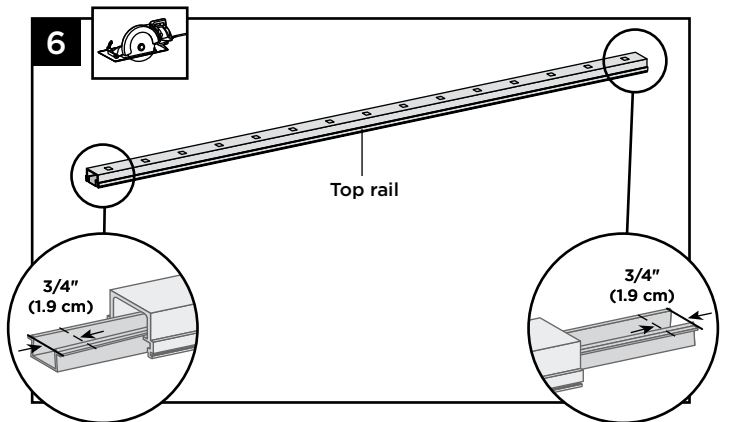


### Cutting Top Rail



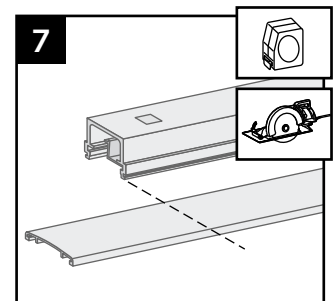
5. Top rail must be cut differently on each side of the rail. Railing side that attaches to standard post should be cut 1/4" (0.6 cm) shorter than the mark to allow for fit into top rail bracket. Railing side that attaches to the crossover post should be cut 3/4" (1.9 cm) **LONGER** than the mark to allow for fit into the crossover post bracket.

### Cutting Top Rail Insert and Cover



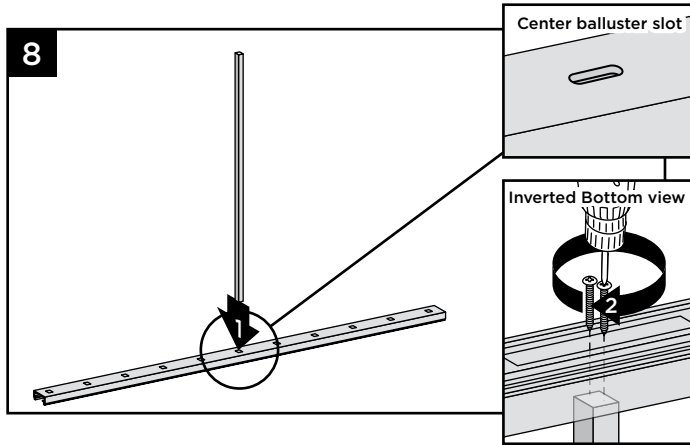
6. Slide rail insert out and cut 3/4" (1.9 cm) FROM EACH SIDE of insert, then slide back inside rail and center.

7. Mark and cut top rail cover same length as top rail for all top rail configurations.



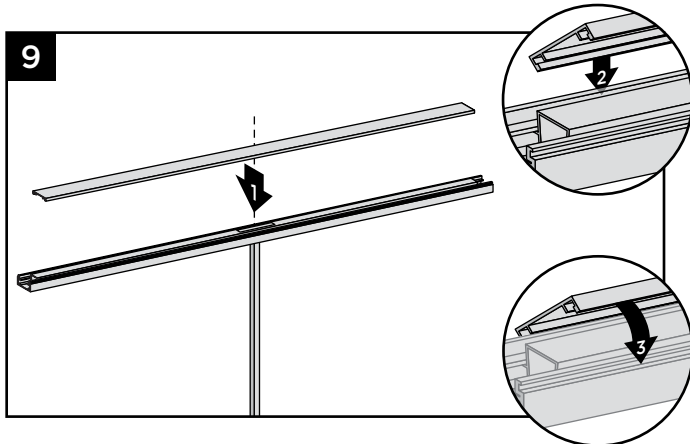
# HOW TO INSTALL HORIZONTAL RAILING POST TO CROSSOVER POST/ CONTINUED TREX® SIGNATURE™

## Attaching Center Baluster to Bottom Rail

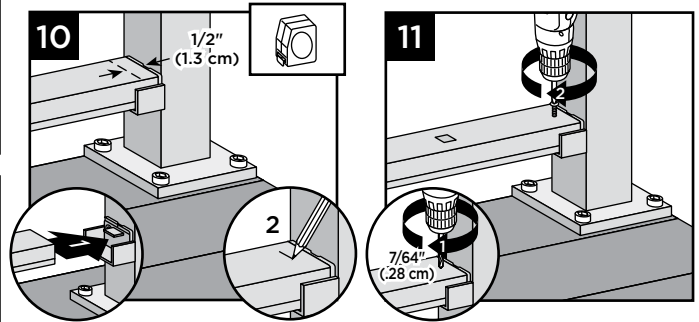


8. Attach shorter, center baluster in center slot in bottom rail using two #8 x 1-1/4" (3.2 cm) screws (provided).

## Attaching Bottom Rail Cover and Bottom Rail to Brackets



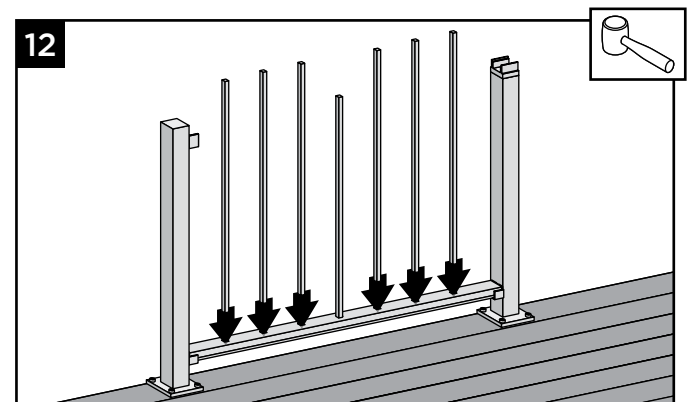
9. Attach "flat" bottom rail cover to bottom rail by first centering cover on bottom rail (this will allow gap on each end of bottom rail for placement into brackets). Align cover on one side of bottom rail in slot on side of rail. Then starting from one end of rail snap cover onto opposing slot working down the length of rail. In some cases, **GENTLE** tapping with a **rubber mallet** may facilitate fastening.



10. Set bottom rail into bottom brackets. Tabs on brackets will be inside of bottom rail (not shown when railing is attached). To ensure fit into tab, measure and mark 1/2" (1.3 cm) out from side of post.
11. Attach bottom rail to bottom bracket by fastening through marked measurement on top of rail into tab on bottom bracket using one self-tapping screw each side (provided).

**NOTE:** Pre-drilling is required (7/64" [0.28 cm] drill bit) for attachment of railing to bracket.

## Installing Remaining Balusters into Bottom Rail

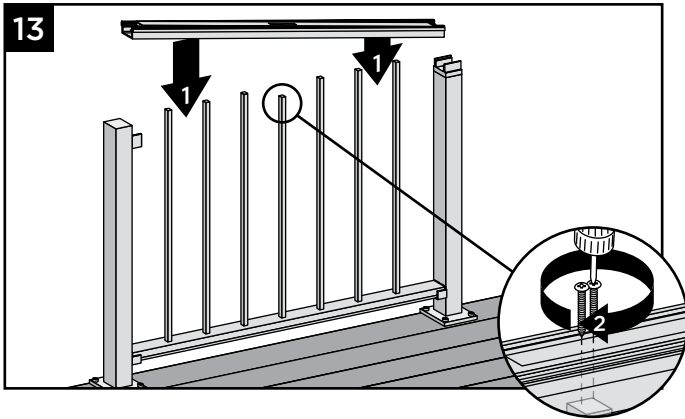


12. Place remaining balusters into holes in lower rail by snapping fully into place. In some cases, **GENTLE** tapping with a **rubber mallet** may facilitate fastening.

# HOW TO INSTALL HORIZONTAL RAILING POST TO CROSSOVER POST/CONTINUED

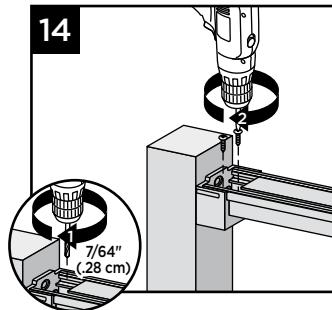
## TREX® SIGNATURE™

### Attach Upper Railings



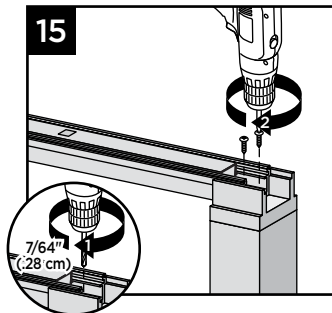
13. Working from one end of upper rail, snap balusters into upper rail working down length of rail. Fasten center baluster into center slot using two #8 x 1-1/4" (3.2 cm) screws (provided).

14. At post location, fasten upper rail to each bracket by installing screws diagonally through upper rail into bracket using two self-tapping screws each side (provided).

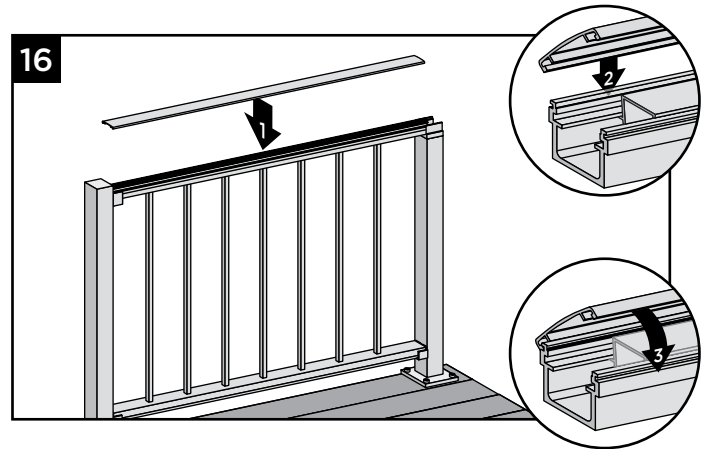


**NOTE:** Pre-drilling is required (7/64" [0.28 cm] drill bit) for attachment of railing to bracket.

15. At crossover post location, fasten upper rail to crossover post by installing screws diagonally through upper rail into post using two self-tapping screws each side (provided).

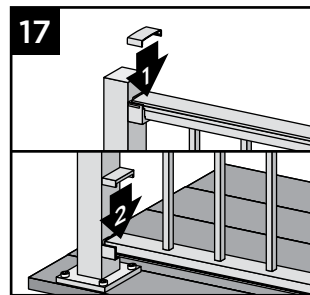


**NOTE:** Pre-drilling is required (7/64" [0.28 cm] drill bit) for attachment of railing to bracket.

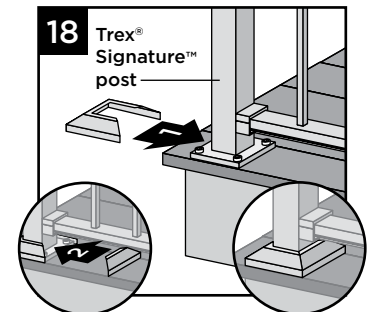


16. Attach "crowned" upper rail cover to upper rail by aligning cover on one side of rail. Then starting from one end of rail, snap cover onto opposing slot working down length of rail. In some cases, **GENTLE** tapping with a **rubber mallet** may facilitate fastening.

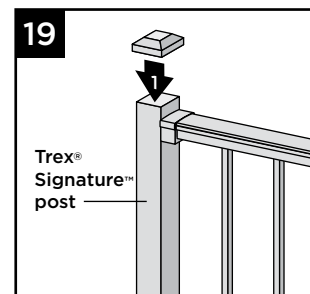
### Attachment of Bracket Covers, Skirts, and Caps



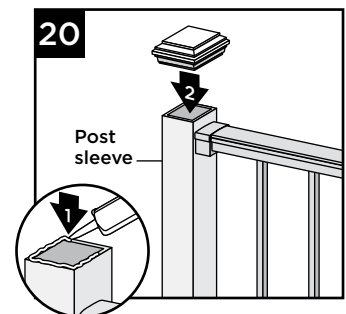
17. Attach corresponding bracket covers over opening in upper and bottom rails.



18. Attach provided post skirt to bottom of posts when using Trex® Signature™ posts.



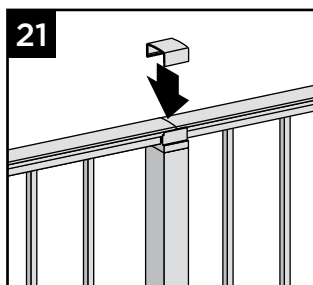
19. Attach post caps to Trex® Signature™ posts. (Use of **rubber mallet** may be required for secure attachment.)



20. Attach post caps to post sleeves using external grade PVC construction adhesive.

# HOW TO INSTALL HORIZONTAL RAILING POST TO CROSSOVER POST/CONTINUED TREX® SIGNATURE™

21. For crossover post configuration, attach crossover post cap to crossover post.

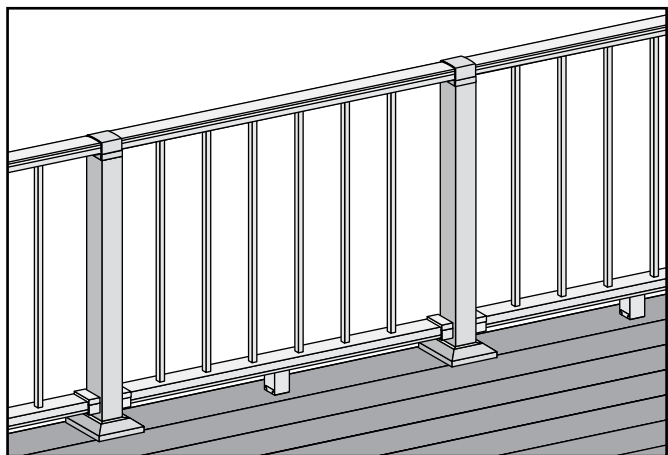


22. Attachment of Foot Block  
See instructions on page 104.

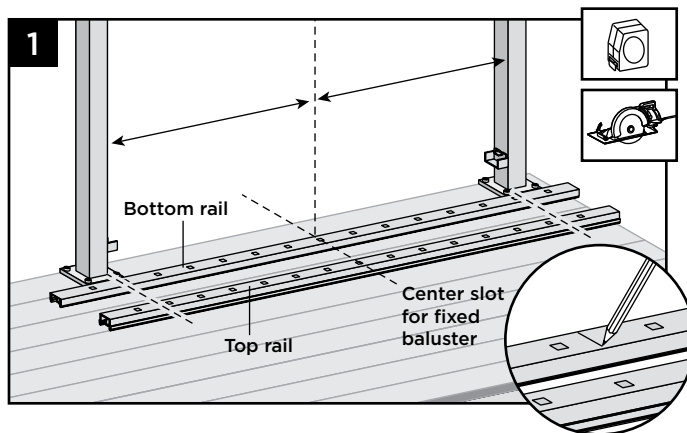
# HOW TO INSTALL HORIZONTAL RAILING CROSSOVER POST TO CROSSOVER POST TREX® SIGNATURE™ STANDARD

**NOTES:**

- » TREX® SIGNATURE™ RAILINGS ARE DESIGNED TO BE ATTACHED WITH POSTS INSTALLED AT A CLEAR SPAN OF 6' (1.83 M) OR 8' (2.44 M).
- » IF INSTALLING AT EXACT SPAN LENGTHS OF 6' (1.83 M) OR 8' (2.44 M), AND USING POST-TO-CROSSOVER POST CONFIGURATION, THE BOTTOM RAIL WILL NOT NEED TO BE CUT, BUT THE TOP RAIL WILL NEED TO BE MEASURED (MAKING SURE BALUSTERS LINE UP VERTICALLY) AND CUT.
- » FOR ODD SPAN LENGTHS, BOTH TOP RAIL AND BOTTOM RAIL WILL NEED TO BE MEASURED (MAKING SURE BALUSTERS LINE UP VERTICALLY) AND CUT. ENSURE THAT BALUSTERS ARE SPACED WITH AN EQUAL DISTANCE ON EACH SIDE OF THE POST.
- » WHEN RAILINGS ARE CUT TO ODD SPANS, ALL SPANS GREATER THAN 5' (1.52 M) (EXAMPLE: 8' (2.44 M) SPAN CUT INTO ONE 5' (1.52 M) SPAN AND ONE 3' (0.91 M) SPAN) WOULD REQUIRE FOOT BLOCK UNDER 5' (1.52 M) SPAN SINCE SMALLER FIXED BALUSTER IS NO LONGER CENTERED.



## How to Measure, Mark and Cut Bottom and Top Railings (When Required)



**Important: DO NOT** cut top rail the same length as bottom rail.

1. Position bottom and top rails between posts and align with bottom bracket. Align the center baluster slot in both rails with the middle of the span between posts.\* This will allow an equal number of baluster holes on each side of center slot. Mark bottom rail and top rail at each end (ensure both rails are centered between posts).

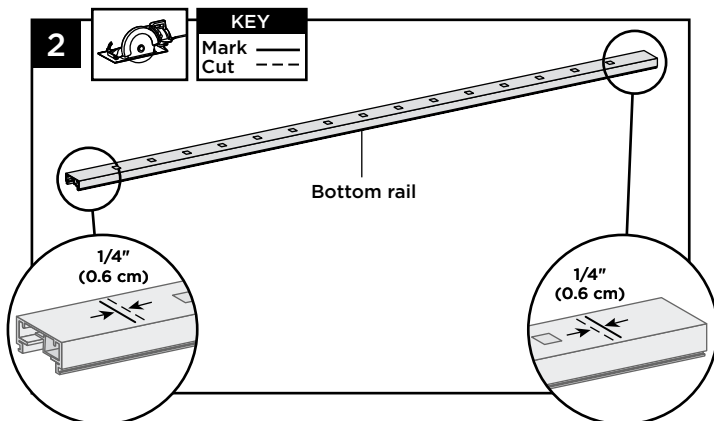
\* In some cases, due to odd railing spans, the center baluster may need to be offset in one direction to ensure there is enough room at both post locations for balusters to be placed. Review this **BEFORE** cutting any railings to ensure all balusters are equally spaced.



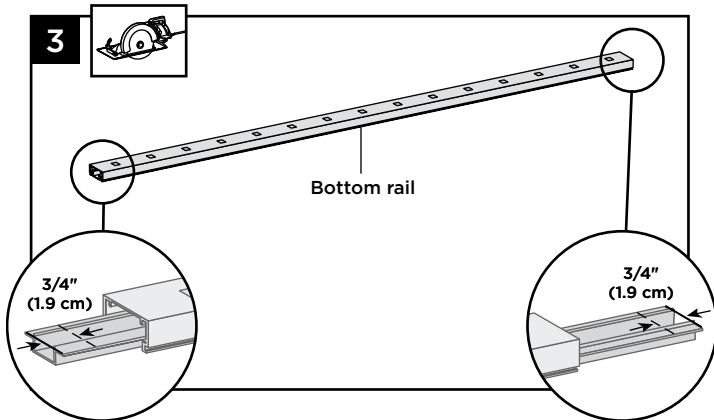
# HOW TO INSTALL HORIZONTAL RAILING CROSSOVER POST TO CROSSOVER POST/CONTINUED

## TREX® SIGNATURE™

### Cutting Bottom Rail and Bottom Rail Cover ONLY

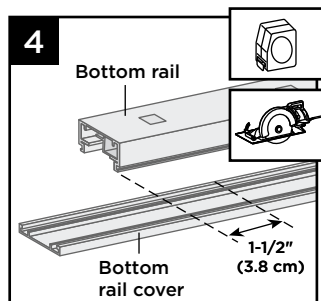


2. Cut each end of bottom rail 1/4" (0.6 cm) shorter than mark on each end to allow for fit into bottom rail brackets.

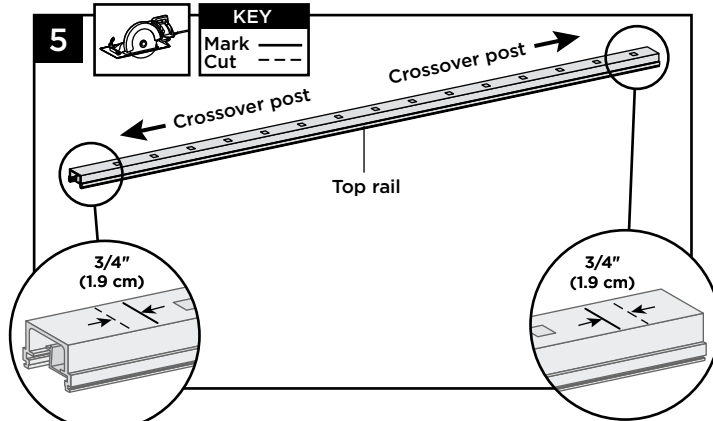


3. Slide rail insert out and cut 3/4" (1.9 cm) **FROM EACH SIDE** of insert, then slide back inside rail and center.

4. Mark and cut bottom rail cover 1-1/2" (3.8 cm) shorter than bottom rail.

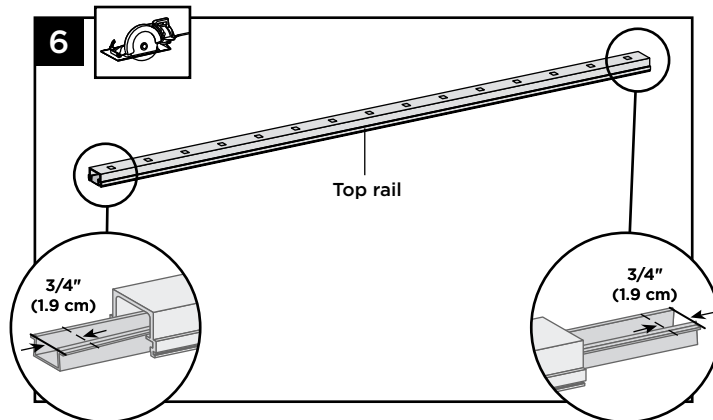


### Cutting Top Rail



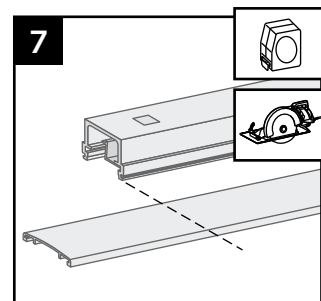
5. Cut each end of top rail 3/4" (1.9 cm) **LONGER** than the mark to allow for fit into the crossover post bracket on each side.

### Cutting Top Rail Insert and Cover



6. Slide rail insert out and cut 3/4" (1.9 cm) **FROM EACH SIDE** of insert, then slide back inside rail and center.

7. Mark and cut top rail cover same length as top rail for all top rail configurations.

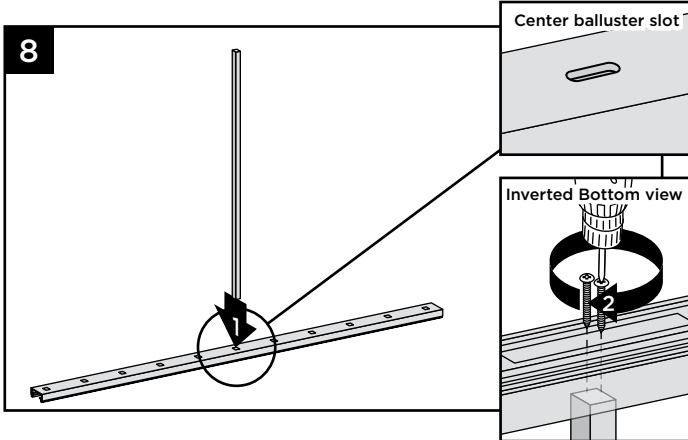




# HOW TO INSTALL HORIZONTAL RAILING CROSSOVER POST TO CROSSOVER POST/CONTINUED

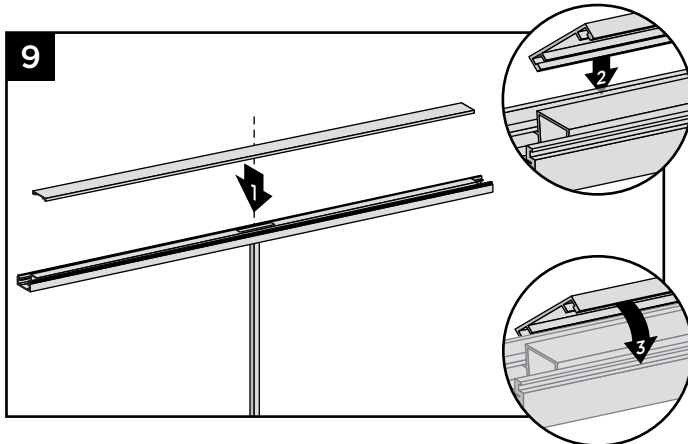
## TREX® SIGNATURE™

### Attaching Center Baluster to Bottom Rail

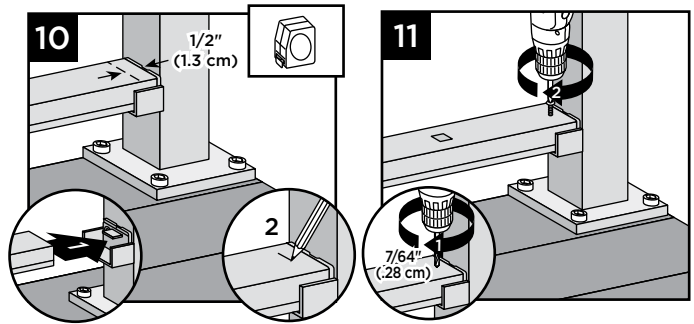


8. Attach shorter, center baluster in center slot in bottom rail using two #8 x 1-1/4" (3.2 cm) screws (provided).

### Attaching Bottom Rail Cover and Bottom Rail to Brackets



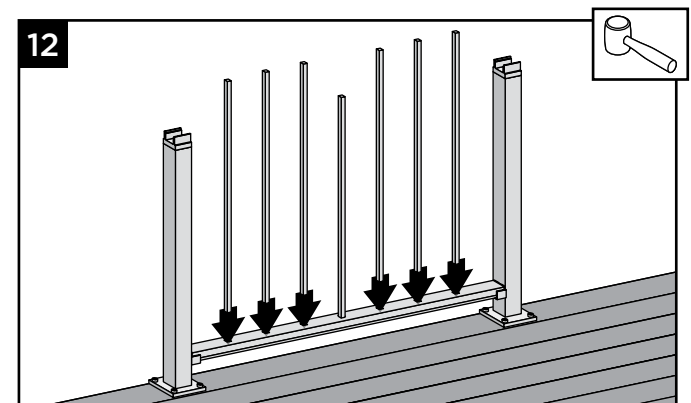
9. Attach "flat" bottom rail cover to bottom rail by first centering cover on bottom rail (this will allow gap on each end of bottom rail for placement into brackets). Align cover on one side of bottom rail in slot on side of rail. Then starting from one end of rail snap cover onto opposing slot working down the length of rail. In some cases, **GENTLE** tapping with a **rubber mallet** may facilitate fastening.



10. Set bottom rail into bottom brackets. Tabs on brackets will be inside of bottom rail (not shown when railing is attached). To ensure fit into tab, measure and mark 1/2" (1.3 cm) out from side of post.
11. Attach bottom rail to bottom bracket by fastening through marked measurement on top of rail into tab on bottom bracket using one self-tapping screw each side (provided).

**NOTE:** Pre-drilling is required (7/64" [0.28 cm] drill bit) for attachment of railing to bracket.

### Installing Remaining Balusters into Bottom Rail

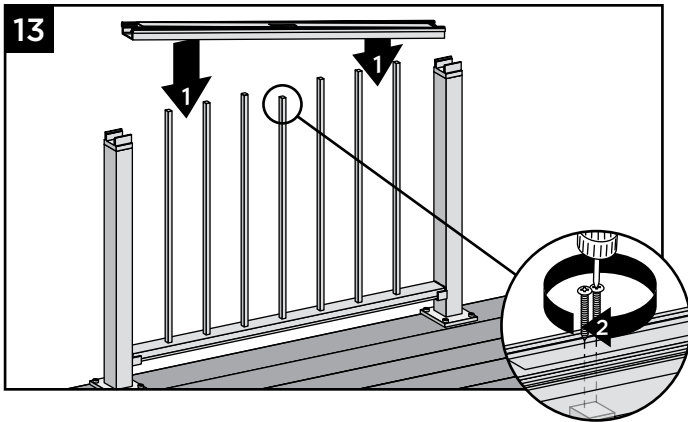


12. Place remaining balusters into holes in lower rail by snapping fully into place. In some cases, **GENTLE** tapping with a **rubber mallet** may facilitate fastening.

# HOW TO INSTALL HORIZONTAL RAILING CROSSOVER POST TO CROSSOVER POST/CONTINUED

## TREX® SIGNATURE™

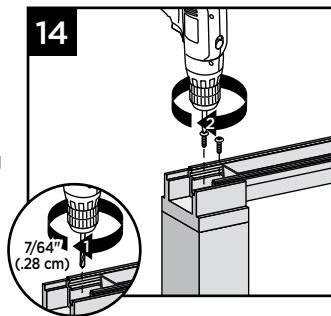
### Attach Upper Railings



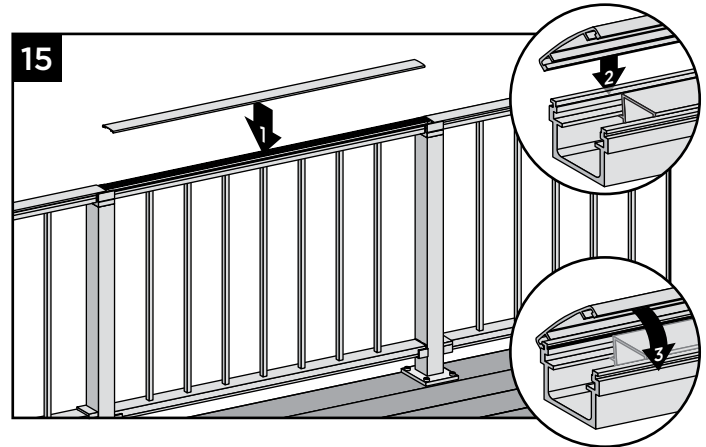
13. Working from one end of upper rail, snap balusters into upper rail working down length of rail. Fasten center baluster into center slot using two #8 x 1-1/4" (3.2 cm) screws (provided).

**NOTE:** Pre-drilling is required (7/64" [0.28 cm] drill bit) for attachment of railing to bracket.

14. At post locations, fasten upper rail to crossover post by installing screws diagonally through upper rail into post using two self-tapping screws each side (provided).

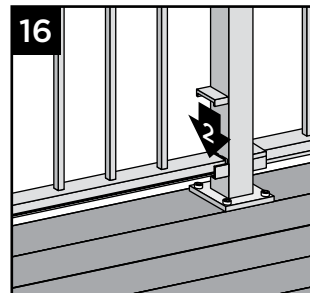


**NOTE:** Pre-drilling is required (7/64" [0.28 cm] drill bit) for attachment of railing to bracket.

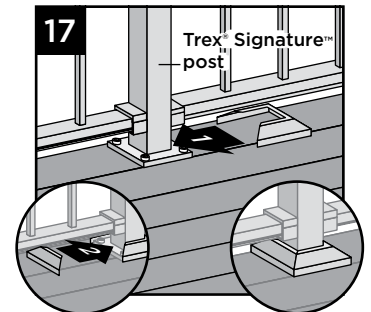


15. Attach "crowned" upper rail cover to upper rail by aligning cover on one side of rail. Then starting from one end of rail, snap cover onto opposing slot working down length of rail. **GENTLE** tapping with a rubber mallet may facilitate fastening.

### Attachment of Bracket Covers, Skirts, and Caps



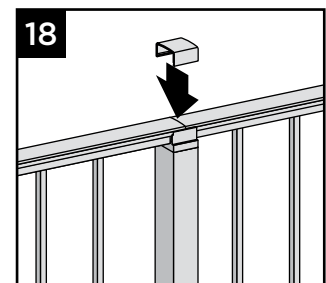
16. Attach corresponding bracket covers over opening in bottom rails.



17. Attach provided post skirt to bottom of posts when using Trex® Signature™ posts.

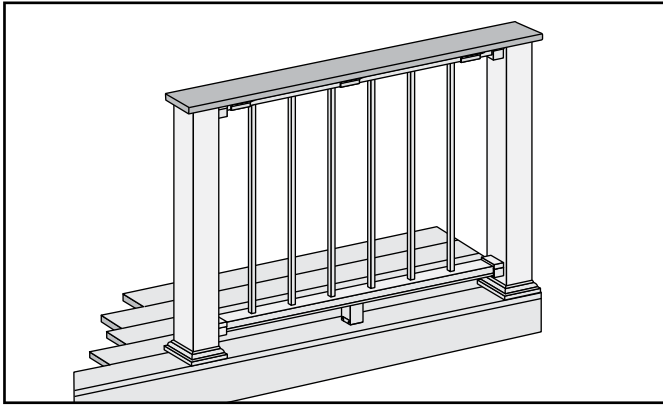
18. Attach crossover post cap to crossover post.

19. Attachment of Foot Block.  
See instructions on page 104.



# HOW TO INSTALL TREX® SIGNATURE™ COCKTAIL RAILING

## TREX® SIGNATURE™



### IMPORTANT NOTE:

» **ONLY** for use with pressure-treated 4 x 4 post (3.5" nominal square) and 4" x 4" (102 mm x 102 mm) post sleeve. Trex® Signature™ posts, Trex post mounts or joist mount posts cannot be used with Trex® Signature™ Cocktail railing. Cutting post and post sleeve only apply to the Cocktail style railing.

### Installing Pressure-treated Posts, Post Sleeves, and Skirts to Use with Trex® Signature™ Railing

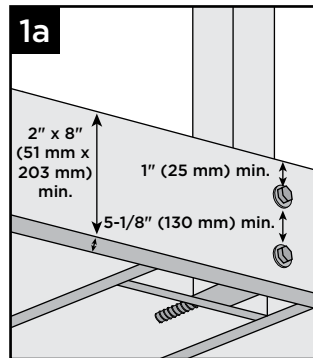
#### 1a. Attach posts using 1/2"

(13 mm) carriage bolts.

» Minimum joist size is 2" x 8" (51 mm x 203 mm).

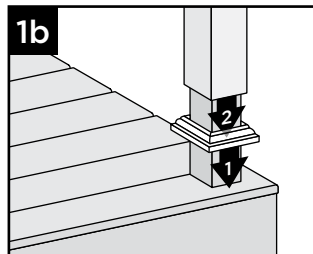
» Top bolts must be 1" (25 mm) from top of joists.

» Bottom bolts must be 5-1/8" (130 mm) from top bolts.



**NOTE:** Blocking can be added for extra strength.

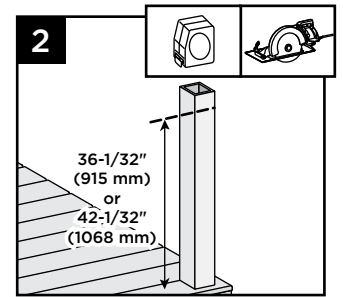
1b. Slide post sleeve skirt over post and down to rest on decking surface. Slide post sleeve over post and position inside post sleeve skirt.



**NOTE:** Shims can be used to plumb post sleeves.

### Cutting Post and Post Sleeve

2. Mark and cut post and post sleeve measuring from deck surface:
  - » 36-1/32" (915 mm) for 36" (914 mm) height.
  - » 42-1/32" (1068 mm) for 42" (1067 mm) height.



### 3. Installing Horizontal Fixed Brackets

See instructions on page 86.

### 4. Installing Horizontal Swivel Brackets

See instructions on page 101.

### 5. Cutting Railings for Horizontal Fixed Brackets

See instructions on page 87 - Post-to-Post, page 90 - Post-to-Crossover Post, or page 94 - Crossover Post-to-Crossover Post.

### 6. Cutting Railings for Horizontal Swivel Brackets

See instructions on page 102.

### 7. Attaching Center Baluster to Bottom Rail

See instructions on page 88 - Post-to-Post, page 92 - Post-to-Crossover Post, or page 98 - Crossover Post-to-Crossover Post.

### 8. Attaching Bottom Rail Cover and Bottom Rail to Brackets

See instructions on page 88 - Post-to-Post, page 92 - Post-to-Crossover Post, or page 96 - Crossover Post-to-Crossover Post.

### 9. Installing Remaining Balusters into Bottom Rail

See instructions on page 89 - Post-to-Post, page 92 - Post-to-Crossover Post, or page 96 - Crossover Post-to-Crossover Post.

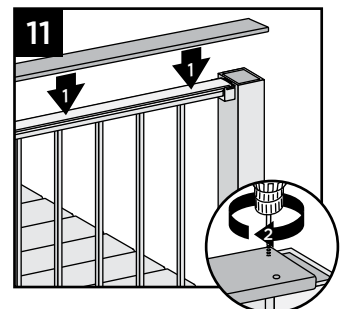
### 10. Attaching Top Rail and Top Rail Cover

See instructions on page 89 - Post-to-Post, page 93 - Post-to-Crossover Post, or page 97 - Crossover Post-to-Crossover Post.

**NOTE:** Top Bracket Covers are not attached in this configuration.

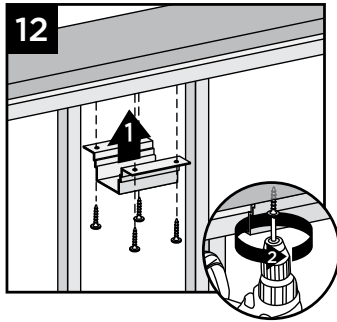
### 11. Attaching Deck Board to Top Rail

Place deck boards (**DO NOT** use Enhance scalloped profile or Escapes deck boards for top rail) over top rails. Attach boards on each post with Trex-recommended composite screws (quantity of 2 per each board end).



## HOW TO INSTALL TREX® SIGNATURE™ COCKTAIL RAILING/CONTINUED TREX® SIGNATURE™

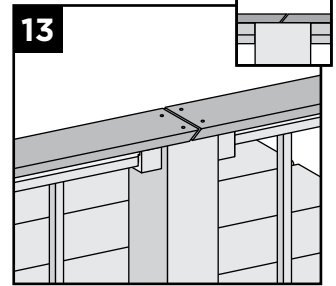
12. Secure boards to top rail using Trex® Signature™ Cocktail Bracket (sold separately). Ensure that there is a bracket at each end of the railing section, then space brackets approximately every 24" and attach with 4 screws provided.



13. Use scarf cut for posts where two deck boards meet.

**NOTES:**

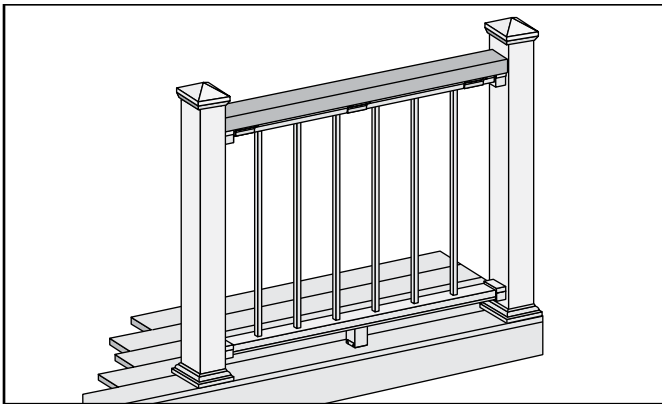
- » Leave 1/8" (3 mm) gap between deck boards.
- » Deck boards can overhang end of last post maximum 1/2" (13 mm).



**NOTE:** Pre-drilling before attachment is recommended.

14. **Attachment of Bottom Bracket Covers and Skirts**  
See instructions on page 90.
15. **Attachment of Foot Block**  
See instructions on page 104.

## HOW TO INSTALL TREX® SIGNATURE™ TRADITIONAL RAILING TREX® SIGNATURE™



**Important:** Only use for use with pressure-treated 4 x 4 post (3.5" nominal square), Trex Post Mounts or Joist Mount Posts and 4" x 4" (102 mm x 102 mm) or 6" x 6" post sleeve. Trex® Signature™ Posts and Signature Joist Mount Posts cannot be used with Trex® Signature™ Traditional railing.

1. **Installing Posts, Post Sleeve Skirts and Post Sleeves**

See instructions on page 82.

2. **Installing Horizontal Fixed Brackets**

See instructions on page 86.

3. **Installing Horizontal Swivel Brackets**

See instructions on page 101.

4. **Cutting Railings for Horizontal Fixed Brackets**

See instructions on page 87 - Post-to-Post, page 91 - Post-to-Crossover Post, or page 95 - Crossover Post-to-Crossover Post.

5. **Cutting Railings for Horizontal Swivel Brackets**  
See instructions on page 102.

6. **Attaching Center Baluster to Bottom Rail**

See instructions on page 88 - Post-to-Post, page 92 - Post-to-Crossover Post, or page 96 - Crossover Post-to-Crossover Post..

7. **Attaching Bottom Rail Cover and Bottom Rail to Brackets**

See instructions on page 88 - Post-to-Post, page 92 - Post-to-Crossover Post, or page 96 - Crossover Post-to-Crossover Post.

8. **Installing Remaining Balusters into Bottom Rail**

See instructions on page 89 - Post-to-Post, page 92 - Post-to-Crossover Post, or page 96 - Crossover Post-to-Crossover Post.

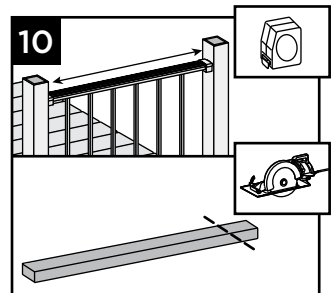
9. **Attaching Top Rail and Top Rail Cover**

See instructions on page 89 - Post-to-Post, page 93 - Post-to-Crossover Post, or page 97 - Crossover Post-to-Crossover Post.

**NOTE:** Top Bracket Covers are not attached in this configuration.

10. **Attaching 2" x 4" (51 mm x 102 mm) to Top Rail**

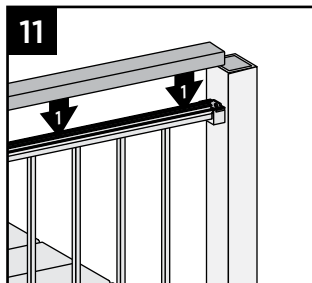
Measure between posts and cut 2" x 4" (51 mm x 102 mm) to length.



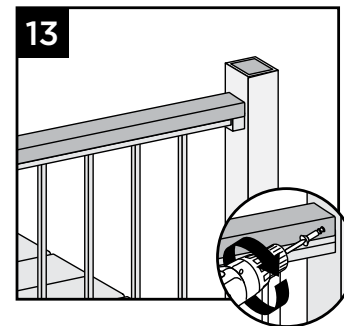
# HOW TO INSTALL TREX® SIGNATURE™ TRADITIONAL RAILING/CONTINUED

## TREX® SIGNATURE™

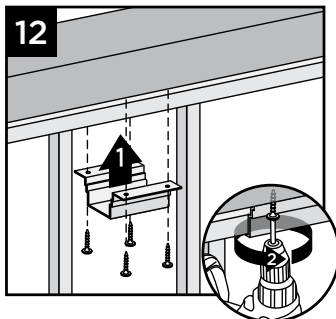
11. Place 2" x 4" (51 mm x 102 mm) on Trex® Signature™ top rail.



13. Pre-drill and toenail 2-1/2" (6.4 cm) approved deck screw at each end of 2" x 4" (5.1 cm x 10.2 cm) into post on back side of rail (side not facing decking).



12. Secure 2" x 4" (51 mm x 102 mm) to top rail using Trex® Signature™ Cocktail Bracket (sold separately). Ensure that there is a bracket at each end of the railing section, then space brackets approximately every 24" and attach with 4 screws provided.



14. **Attachment of Bottom Rail Bracket Covers and Caps**

*See instructions on page 90.*

15. **Attachment of Foot Block**

*See instructions on page 104.*

**NOTE:** Pre-drilling before attachment is recommended.

---





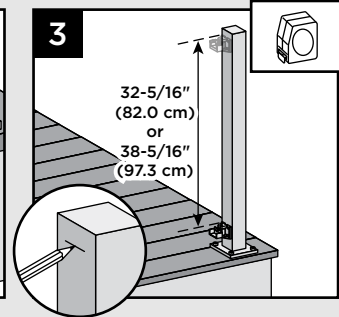
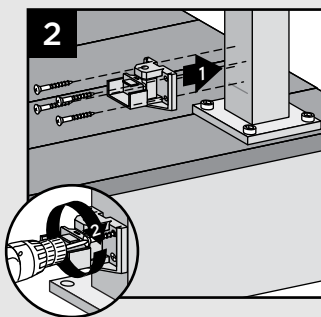
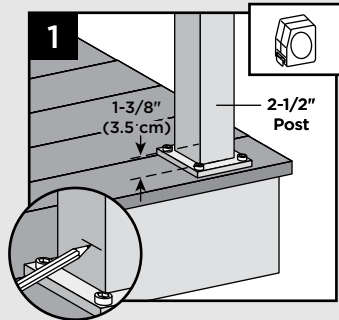
# INSTALLATION OF HORIZONTAL SWIVEL BRACKETS

## TREX® SIGNATURE™ STANDARD

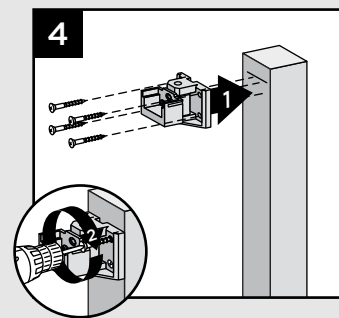
### Attach Swivel Brackets Base Using Trex® Signature™ Posts

**TIP:** Use a clamp to help hold brackets in place while fastening with screws.

1. Measure 1-3/8" (3.5 cm) from top of post base plate or 1-7/8" (4.8 cm) from decking surface. Mark with light line.



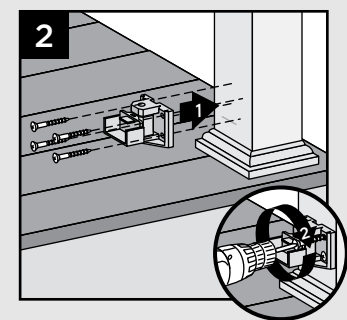
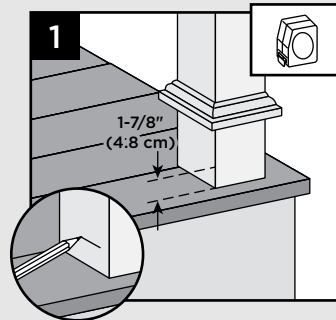
2. Center lower bracket on post **above** the marked line and attach using four self-tapping screws (*provided*).
3. Measure up 32-5/16" (82.0 cm) for 36" (91.4 cm) tall railing or 38-5/16" (97.3 cm) for 42" (106.7 cm) tall railing from top of lower rail bracket. Mark with a light line.
4. Center upper bracket on post **below** marked line and attach using four self-tapping screws (*provided*).



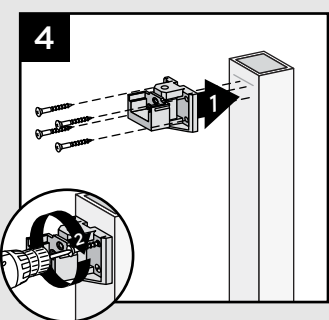
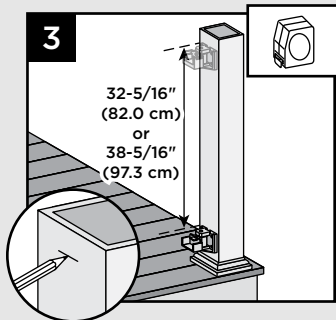
**NOTE:** Upper bracket is not required on crossover post configuration.

### Attach Swivel Brackets Using Pressure-treated Posts and Post Sleeves

**TIP:** Use a clamp to help hold brackets in place while fastening with screws



1. Measure 1-7/8" (4.8 cm) up from deck surface to bottom of bracket. Slide skirt up to allow for proper measurement, then push skirt back down onto surface of decking **BEFORE ATTACHING BRACKET**. Mark with light line.
2. Center lower bracket on post **above** the marked line and attach using four 2" (5.1 cm) wood screws (*provided*).



3. Measure up 32-5/16" (82.0 cm) for 36" (91.4 cm) tall railing or 38-5/16" (97.3 cm) for 42" (106.7 cm) tall railing from top of lower rail bracket. Mark with a light line.
4. Center upper bracket on post **below** marked line and attach using four 2" (5.1 cm) wood screws (*provided*).

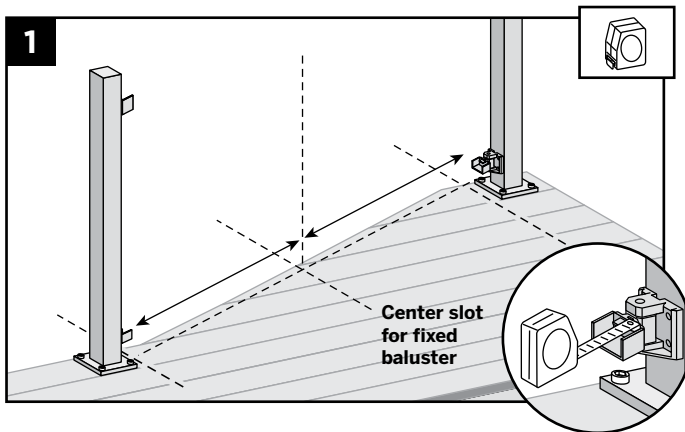
# INSTALLATION OF HORIZONTAL SWIVEL RAILING

## TREX® SIGNATURE™ STANDARD

### NOTES:

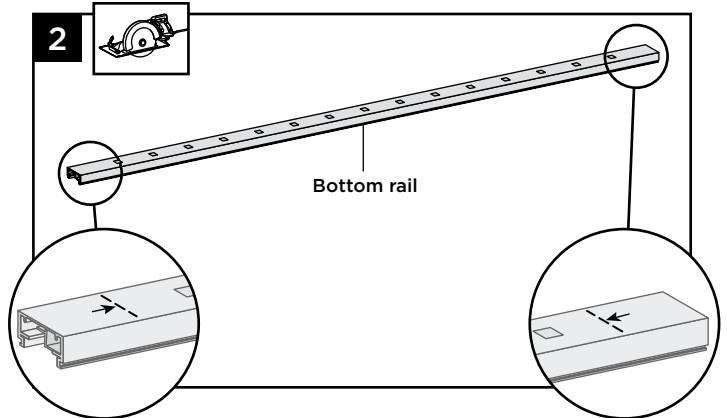
- » WHEN USING TREX® SIGNATURE™ HORIZONTAL SWIVEL BRACKETS, BOTH BOTTOM AND TOP RAILS WILL NEED TO BE MEASURED AND CUT TO APPROPRIATE LENGTHS.
- » HORIZONTAL SWIVEL BRACKETS CAN BE USED UP TO A 50° ANGLE FOR TREX® SIGNATURE™ RAILINGS.
- » WHEN USING HORIZONTAL SWIVEL BRACKETS VERY IMPORTANT TO LAY OUT LOCATION AND ORIENTATION OF POSTS AND SWIVEL BRACKETS BEFORE INSTALLING SWIVEL BRACKETS.
- » WHEN RAILINGS ARE CUT TO ODD SPANS, ALL SPANS GREATER THAN 5' (1.52 M) (EXAMPLE: 8' (2.44 M) SPAN CUT INTO ONE 5' (1.52 M) SPAN AND ONE 3' (0.91 M) SPAN) WOULD REQUIRE FOOT BLOCK UNDER 5' (1.52 M) SPAN SINCE SMALLER FIXED BALUSTER IS NO LONGER CENTERED.

### How to Measure and Cut Bottom and Top Railings

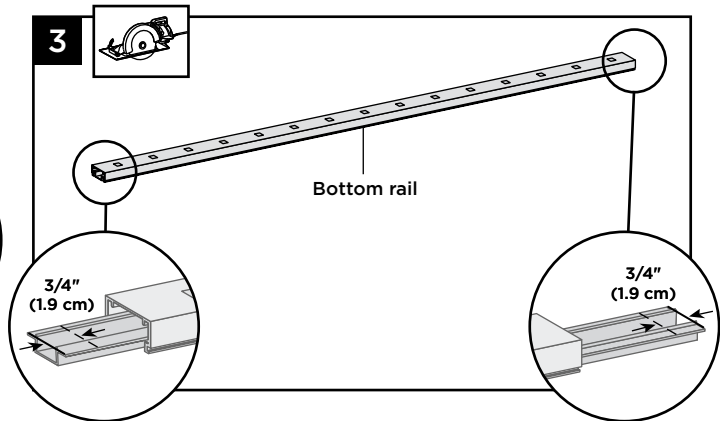


1. With brackets in correct swivel location, measure distance from inside of bracket to inside of bracket. ENSURE THAT BEFORE CUTTING, BALUSTERS HOLES ON BOTH BOTTOM AND TOP RAIL LINE UP. ALSO MAKE SURE CENTER BALUSTER SLOT IS AS CLOSE TO THE MIDDLE OF THE SPAN AS POSSIBLE. In some cases, due to odd railing spans, the center baluster may need to be offset in one or the other direction to ensure there is enough room at both post locations for balusters to be placed.

### Cutting Bottom Rail and Bottom Rail Cover

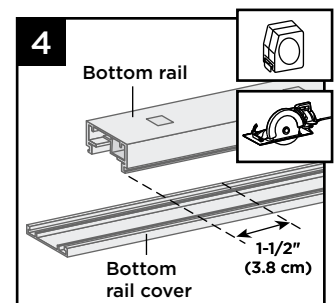


2. Cut bottom rail to the measurement between the bottom swivel brackets.



3. Slide rail insert out and cut 3/4" (1.9 cm) FROM EACH SIDE of insert, then slide back inside rail and center.

4. Mark and cut bottom rail cover 1-1/2" (3.8 cm) shorter than bottom rail.



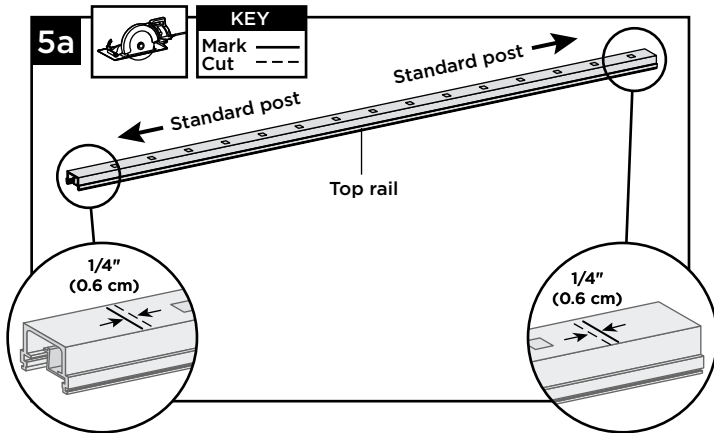
# INSTALLATION OF HORIZONTAL SWIVEL RAILING/CONTINUED

## TREX® SIGNATURE™ STANDARD

### Cutting Top Rail

#### Option 1:

#### For Post-to-Post Configuration

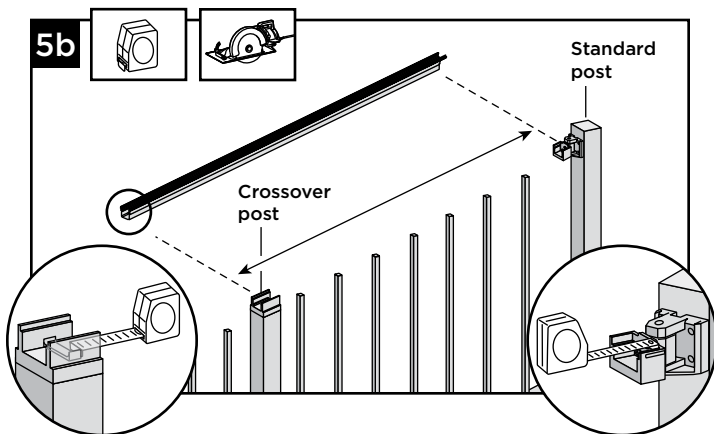


5a. Cut top rail to the measurement between the top swivel brackets. For standard post-to-standard post configurations this would be same dimensions as that of the bottom rail.

### Cutting Top Rail

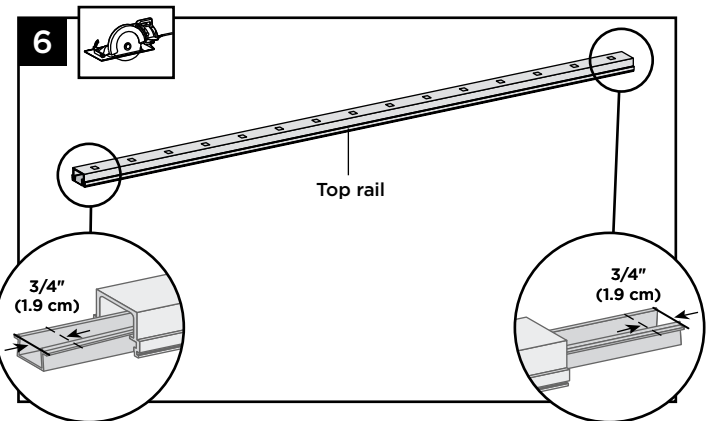
#### Option 2:

#### For Post-to-Crossover Post Configuration



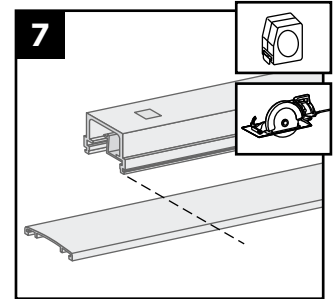
5b. When going from standard-post to crossover post, measurement must be taken from inside of top horizontal swivel bracket to inside lip of crossover post (which is attached to top of crossover post).

### Cutting Top Rail Insert and Cover



6. Slide rail insert out and cut 3/4" (1.9 cm) **FROM EACH SIDE** of insert, then slide back inside rail

7. Mark and cut top rail cover same length as top rail for all top rail configurations.



### 8. Attaching Center Baluster to Bottom Rail

See instructions on page 88 Post-to-Post or 92 Post-to-Crossover Post.

### 9. Attaching Bottom Rail Cover and Bottom Rail to Brackets

See instructions on page 88 Post-to-Post or 92 Post-to-Crossover Post.

### 10. Installing Remaining Balusters into Bottom Rail

See instructions on page 89 Post-to-Post or 92 Post-to-Crossover Post.

### 11. Attach Upper Railings

See instructions on page 89 Post-to-Post or 93 Post-to-Crossover Post.

### 12. Attachment of Bracket Covers, Skirts, and Caps

See instructions on page 90 Post-to-Post or 94 Post-to-Crossover Post.

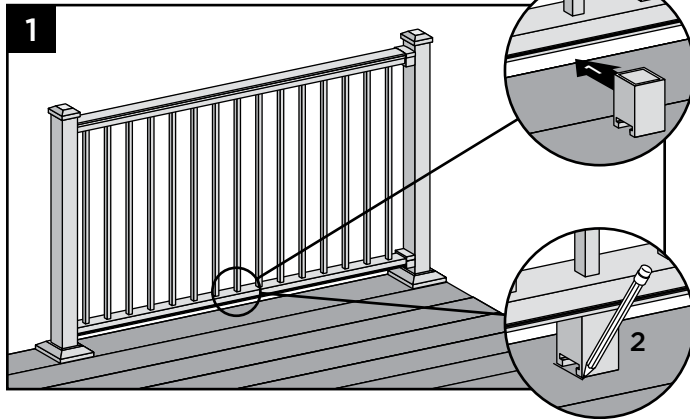
### 13. Attachment of Foot Block

See instructions on page 104.

# HOW TO INSTALL FOOT BLOCKS-HORIZONTAL RAILING

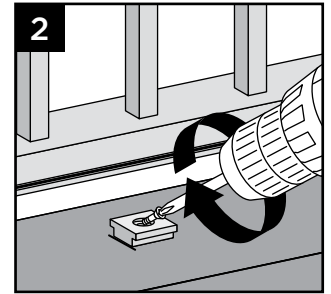
TREX® SIGNATURE™

## Attachment of Foot Block (Required ONLY for All Clear Span Applications Over 6' [1.83 m])



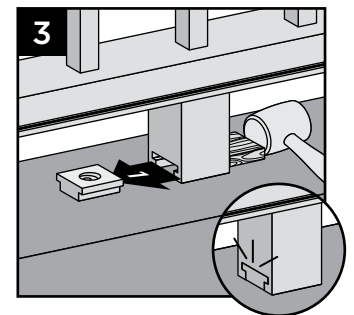
1. To ensure correct location, place foot block under center of bottom rail. Mark to provide placement location of base.

2. Place base (smaller side facing down) on decking surface. Attach base of foot block using one screw at an angle through base and into decking.



**NOTE:** Pre-drilling is recommended (1/8" [0.32 cm] drill bit) for attachment of base.

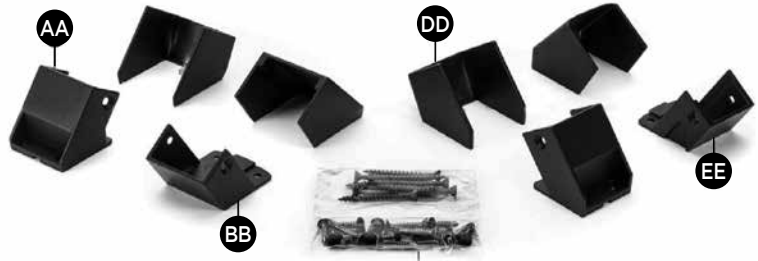
3. After attached, use a rubber mallet along with scrap piece of wood to tap foot block until it locks into place.



# BRACKET HARDWARE - STAIR APPLICATIONS (INCLUDING STAIR SWIVEL BRACKETS, STAIR CROSSOVER BRACKET, AND COMPOUND SWIVEL BRACKETS) TREX® SIGNATURE™

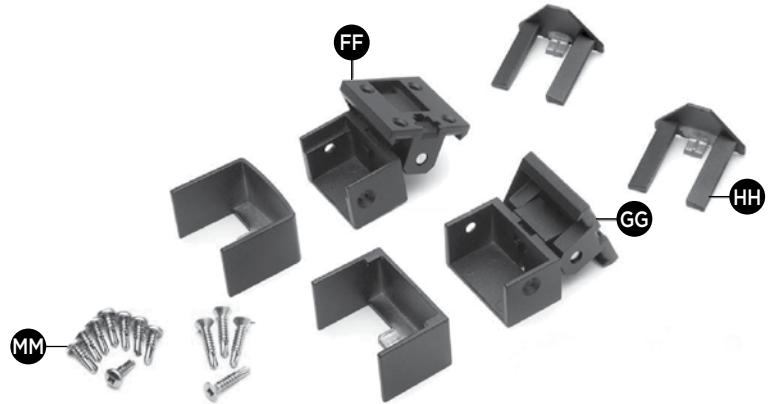
## FIXED BRACKET - STAIR HARDWARE

- AA. Bottom Stair Bracket and Cover - Lower Rail
- BB. Top Stair Bracket and Cover - Lower Rail
- CC. Fastener Pack
- DD. Bottom Stair Bracket and Cover - Upper Rail
- EE. Top Stair Bracket and Cover - Upper Rail



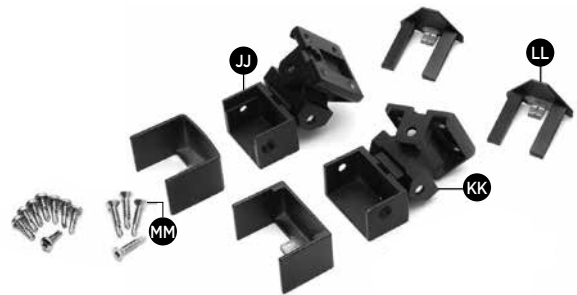
## SWIVEL BRACKET - STAIR HARDWARE

- FF. Swivel Top Rail Bracket and Cover - Stair
- GG. Swivel Bottom Rail Bracket and Cover - Stair
- HH. Fastener Covers
- II. Fastener Pack



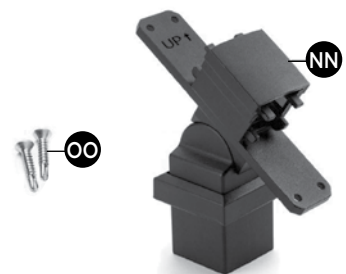
## COMPOUND SWIVEL BRACKET - STAIR HARDWARE

- JJ. Compound Swivel Top Rail Bracket and Cover - Stair
- KK. Compound Swivel Bottom Rail Bracket and Cover - Stair
- LL. Fastener Covers
- MM. Fastener Pack



## SWIVEL CROSSOVER BRACKET KIT - STAIR HARDWARE

- NN. Swivel Crossover Bracket - Stair
- OO. Post-to-Bracket Fasteners





# HOW TO INSTALL TREX® SIGNATURE™ STAIR POSTS AND STAIR RAILING

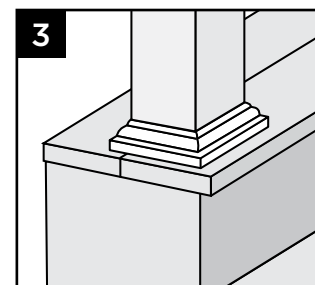
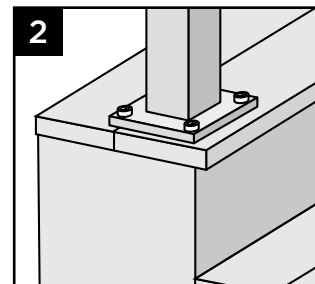
## TREX® SIGNATURE™

### IMPORTANT NOTES:

- » **TREX® SIGNATURE™ POSTS CANNOT BE USED WITH TREX® SIGNATURE™ TRADITIONAL OR TREX® SIGNATURE™ COCKTAIL STAIR DESIGNS, ONLY PRESSURE-TREATED POST/POST SLEEVES CAN BE USED. REFER TO DETAILED INSTRUCTIONS FOR MORE INFORMATION.**
- » **All Trex® Signature™ stair installations require the use of 53" (134.6 CM) stair post, measured and cut to appropriate length if required.**
- » **If crossover stair post is required, use stair post (again cut to appropriate length if required) and use swivel crossover bracket.**
- » **Trex® Signature™ Stair fixed brackets are designed to work only with stair slopes of 32°-37°.**
- » **For smaller (less than 32°) or larger angles (greater than 37°), use the Trex® Signature™ Stair Swivel brackets.**
- » **Trex® Signature™ Compound swivel stair brackets are designed for flared stair designs.**
- » **If installing stair railings at exact span lengths of 6' (1.8 M) or 8' (2.4 M) and using post-to-post configuration, the bottom stair rail will not need to be cut\*, but the top stair rail will need to be measured (making sure balusters line up vertically) and cut.**
- » **If installing stair railings at exact span lengths of 6' (1.8 M) or 8' (2.4 M), and using crossover post configuration (spans from one crossover post to another crossover post), both the bottom and top stair rails will not need to be cut\* if the angle is approximately 34°.**
- » **At all final end post configurations, top stair rail will need to be measured (making sure balusters line up vertically) and cut.**
- » **For odd span lengths, both bottom and top stair rails will need to be measured (making sure balusters line up vertically) and cut. Also, ensure that balusters are spaced with equal distance on each side of the post.**
- » **Rails that do not require cutting must be oriented in the correct direction to ensure balusters are spaced properly when installed in brackets. On both bottom and top stair railings, baluster hole closest to the end of the each stair rail is to be installed at the top of the stair section. Ensure that both bottom and top rails are correct and balusters line up vertically before INSTALLING.**

### Installing Standard Trex® Signature™ Stair Posts, Trex® Signature™ Stair Crossover Posts, or Pressure-treated Post, Post Sleeves and Skirts

1. Make sure 53" (135.6 cm) posts are used for all stair posts.
2. If Trex® Signature™ stair posts are used, install at nose of stair tread directly under required blocking. See Trex® Signature™ horizontal post instructions on page 82 for details.
3. If pressure-treated post/post sleeves are used, posts are to be installed to the inside of the last stair stringer (rails must be over decking surface). See pressure-treated post instructions on page 83 for details.



# ATTACHING FIXED STAIR BRACKETS AND RAILS TO TREX® SIGNATURE™ POSTS AND PRESSURE-TREATED POST AND POST SLEEVES

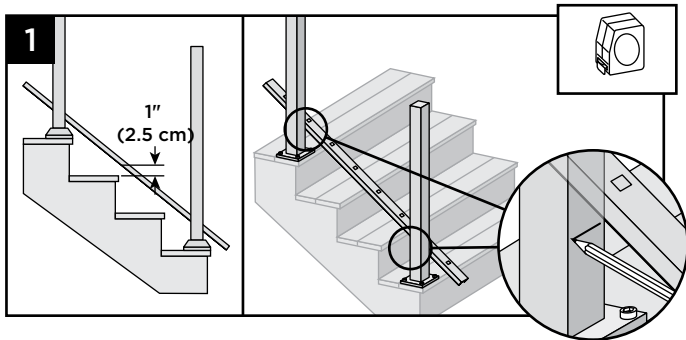
## TREX® SIGNATURE™

### NOTES:

- » All Trex® Signature™ fixed stair brackets work ONLY with stair slopes of 32°-37°.
- » Illustrations shown are representations when using Trex® Signature™ post, but same rules apply if using pressure-treated posts and post sleeves.
- » Use a clamp to help hold stair brackets in place while fastening with screws.

### IMPORTANT NOTE:

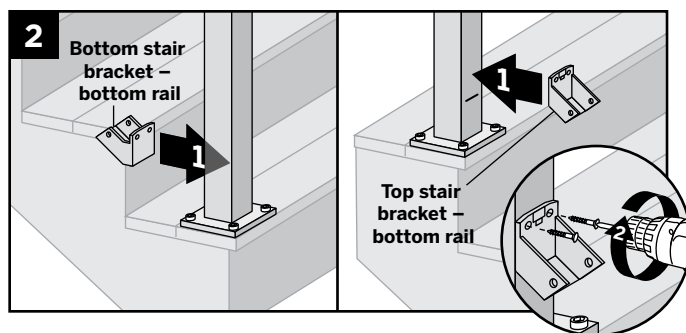
- » BEFORE ATTACHING ANY UPPER BRACKETS MAKE SURE PROPER RAILING HEIGHTS ARE ACHIEVED. RAILING HEIGHTS AND UPPER BRACKET HEIGHTS MAY NEED TO BE ADJUSTED, HOWEVER, DO NOT REDUCE HEIGHTS BASED ON YOUR RAILING CODE REQUIREMENTS. MEASURE CAREFULLY AS DIMENSION HEIGHTS MAY NEED TO BE ADJUSTED!



1. Lay bottom stair rail on steps beside posts. Position bottom rail at least 1" (2.5 cm) above nose of stair tread.

**TIP:** Use a 1" (2.5 cm) deck board as a spacer board and clamp rails to post. Mark where lower brackets are to be attached to both posts. Mark at underside of railing location.

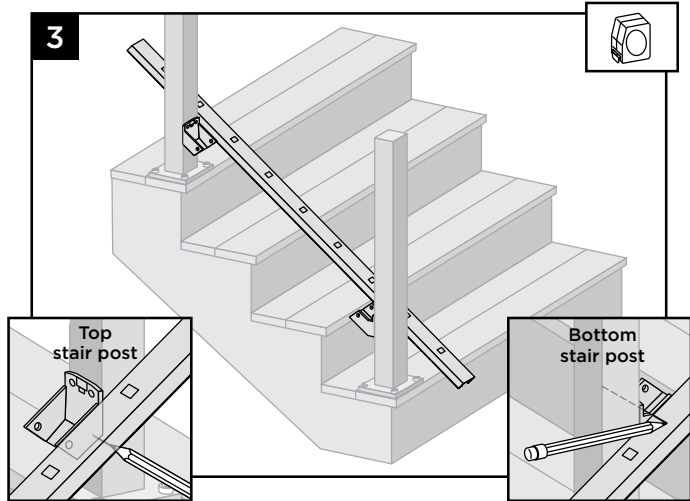
### Installing Lower Fixed Stair Brackets



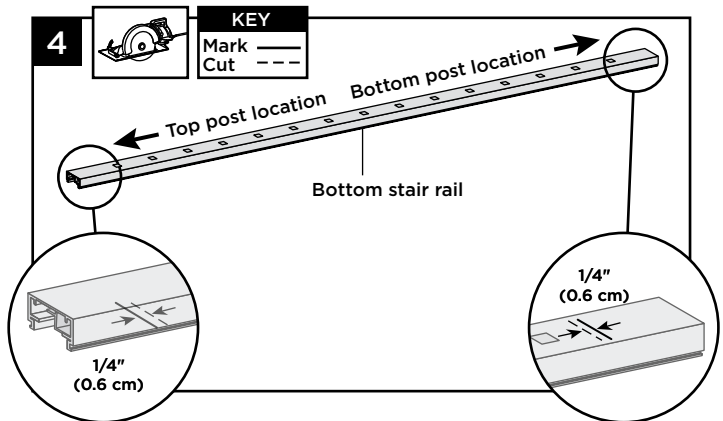
2. Center lower stair bracket on post above the marked line and attach using two self-tapping screws (provided). In some cases it may be difficult to attach the stair bracket on the lower stair post.

A 90° cordless drill is recommended to attach screws in this area (if possible).

### How to Measure Bottom Stair Railing (WHEN REQUIRED)



3. Position bottom stair rail along the nose of the stair treads. Ensure that before cutting, balusters holes are centered in between the posts and also allow for clearance for attachment to brackets. On top stair post location, mark **UNDERSIDE** of lower rail. On bottom stair post location mark **TOPSIDE** of lower rail at angled intersection of the bracket.

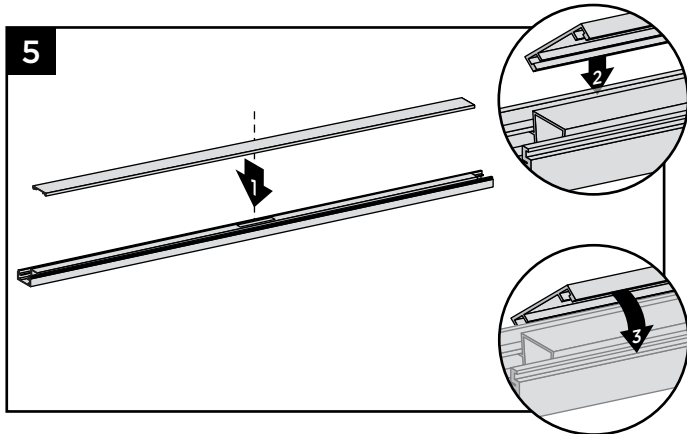


4. Cut each end of the bottom stair rail, rail insert, and bottom rail cover 1/4" (0.6 cm) shorter than the mark on each end to allow for fit into bottom stair rail brackets.

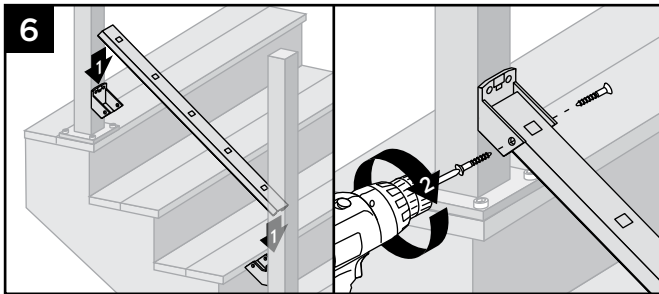
**NOTE:** Railing does not need to be cut at angle. Brackets are designed to allow for railing to be installed with standard straight cut.

# ATTACHING FIXED STAIR BRACKETS AND RAILS TO TREX® SIGNATURE™ POSTS AND PRESSURE-TREATED POST AND POST SLEEVES/CONTINUED

TREX® SIGNATURE™



5. Attach “flat” bottom stair rail cover to bottom stair rail. Align cover on one side of the bottom rail in slot on side of rail. Then starting from one end of rail snap cover onto opposing slot working down the length of the rail. In some cases, **GENTLE** tapping with a **rubber mallet** may facilitate fastening.

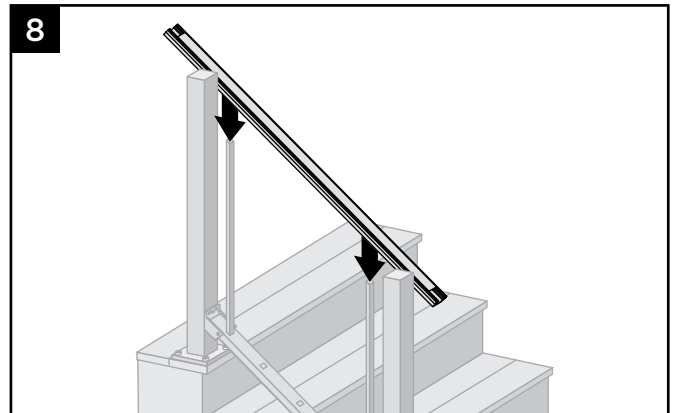
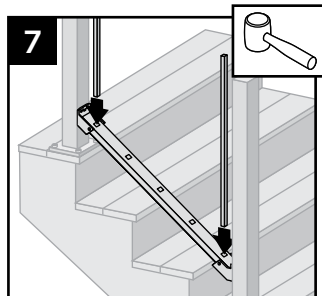


6. Set bottom stair rail into bottom stair rail brackets. Attach bottom stair rail to bottom stair bracket using two self-tapping screws (*provided*) on each side of bracket.

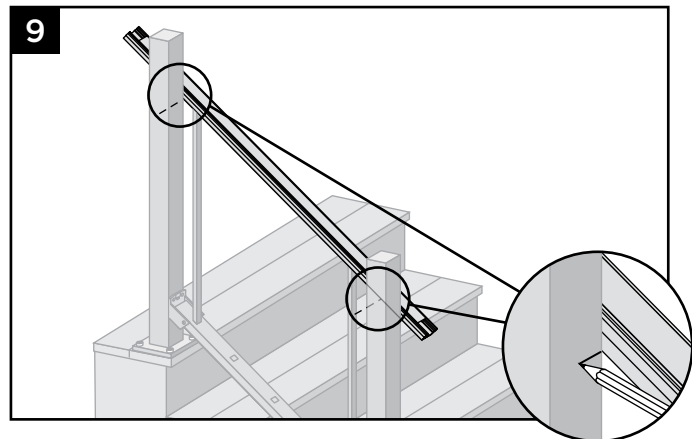
## Installing Upper Fixed Stair Brackets and Measuring Upper Rail

**IMPORTANT NOTE:** BEFORE CUTTING ANY TOP RAILS, MAKE SURE THAT ALL BALUSTER HOLES LINE UP PARALLEL WHEN MEASURING!

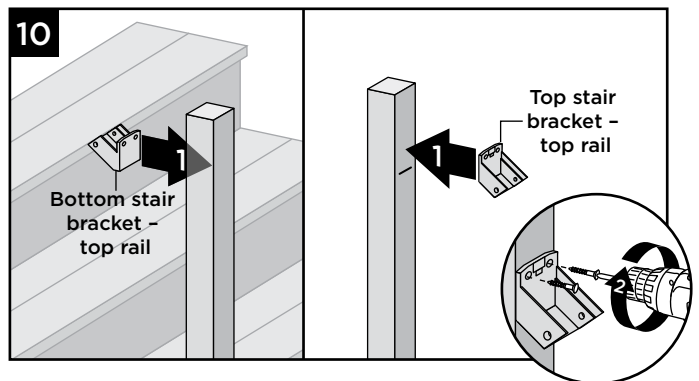
7. Place two balusters into lower rail at each end closest to post.



8. Position top stair rail onto balusters ensuring balusters are fully seated in top rail (position to side of post) and **ENSURE** that balusters are parallel with post.



9. Mark a light line on posts at **UNDERSIDE** of rail to show the location of the fixed stair brackets.

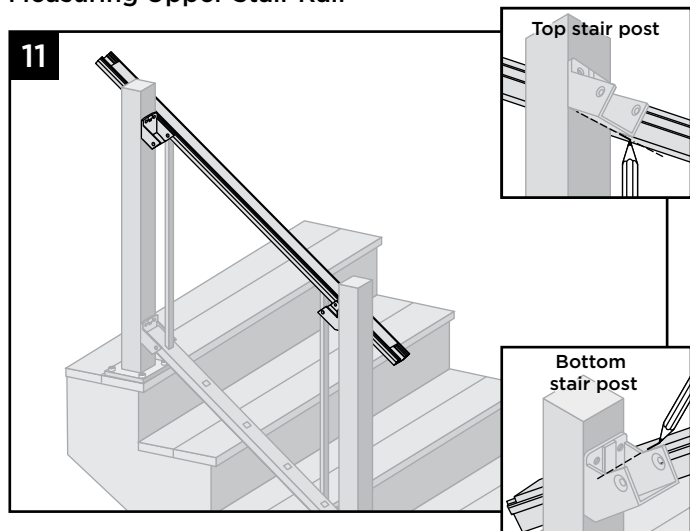


10. Remove upper stair rail and center upper stair fixed bracket on post **above** the marked line and attach using two self-tapping screws (*provided*).

# ATTACHING FIXED STAIR BRACKETS AND RAILS TO TREX® SIGNATURE™ POSTS AND PRESSURE-TREATED POST AND POST SLEEVES/CONTINUED

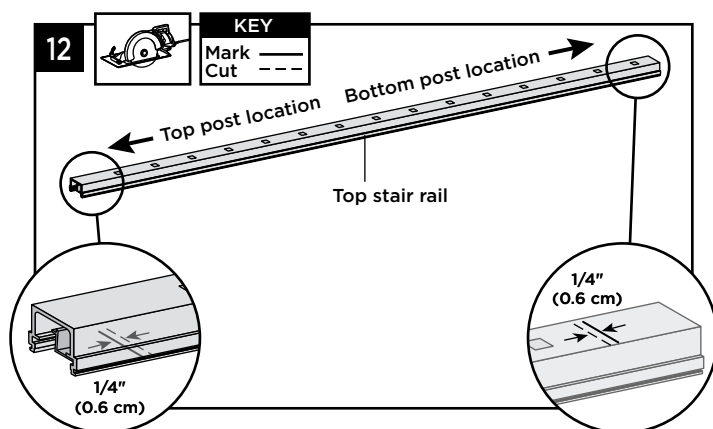
## TREX® SIGNATURE™

### Measuring Upper Stair Rail



11. On top stair post location, mark **UNDERSIDE** of upper rail. On bottom stair post location mark **TOPSIDE** of upper rail at angled intersection inside the bracket.

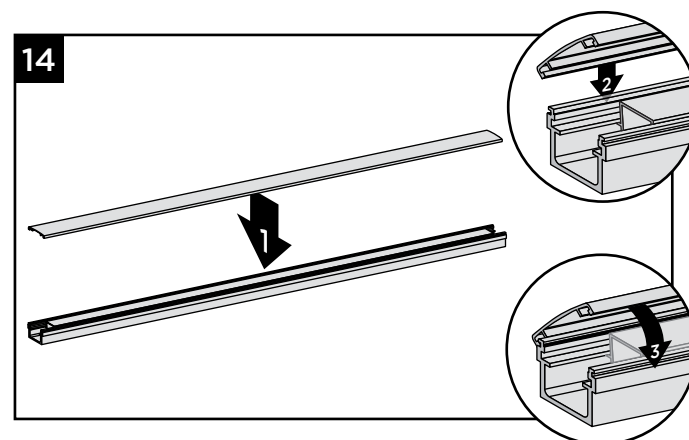
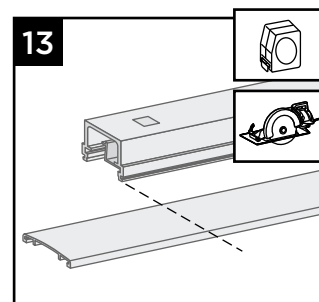
### Cutting Top Stair Rail Cover, and Attachment of Top Stair Rail Cover



12. Cut each end of top stair rail along with rail insert 1/4" (0.6 cm) shorter than mark to allow for fit into top stair rail bracket.

**NOTE:** Railing does not need to be cut at angle. Brackets are designed to allow for railing to be installed with standard straight cut.

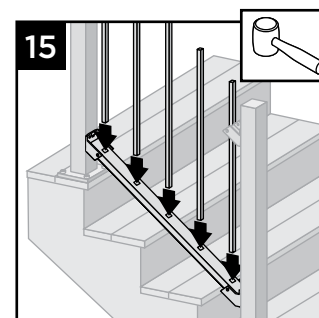
13. Mark and cut top rail cover same length as top rail for all top rail configurations.



14. Attach "crowned" upper stair rail cover to upper stair rail by aligning cover on one side of rail. Then starting from one end of stair rail, snap cover onto opposing slot working down length of stair rail. **GENTLE** tapping with a **rubber mallet** may facilitate fastening.

### Installing Balusters into Bottom Stair Rail

15. Place balusters into holes in lower stair rail by snapping fully into place. In some cases, **GENTLE** tapping with a **rubber mallet** may facilitate fastening.

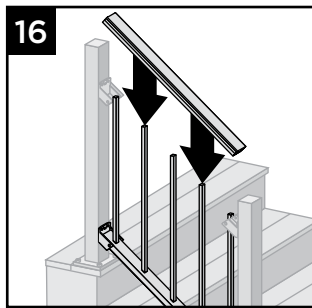


# ATTACHING FIXED STAIR BRACKETS AND RAILS TO TREX® SIGNATURE™ POSTS AND PRESSURE-TREATED POST AND POST SLEEVES/CONTINUED

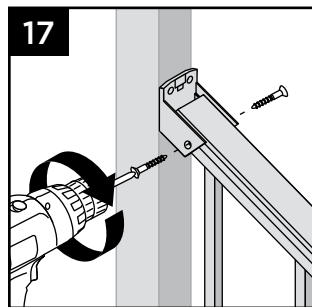
## TREX® SIGNATURE™

### Attaching Upper Stair Rails

16. Working from one end of upper stair rail, snap balusters into upper stair rail working down length of rail.



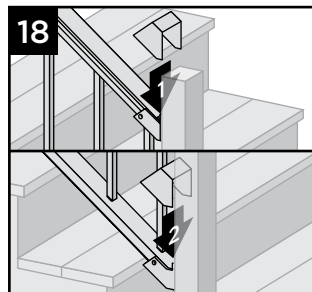
17. Attach top stair rail to top stair bracket (all types) using two self-tapping screws (provided) on each side of stair bracket.



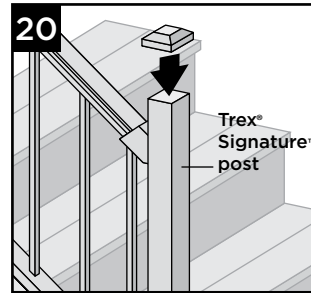
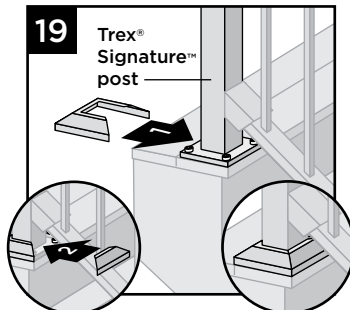
**NOTE:** Pre-drilling is required (7/64" [0.28 cm] drill bit) for attachment of stair railing to stair bracket.

### Attachment of Stair Bracket Covers, Skirts, and Caps

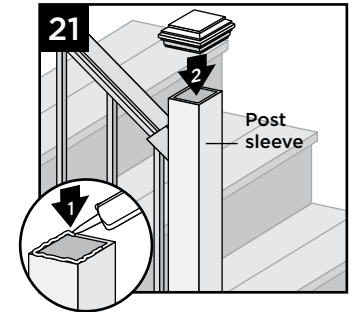
18. Attach corresponding bracket covers over opening in upper and bottom rails.



19. Attach provided post skirt to bottom of posts when using Trex® Signature™ posts.



20. Attach post caps to Trex® Signature™ posts (use of **rubber mallet** may be required for secure attachment).



21. Attach post caps to post sleeves using external grade PVC construction adhesive.



# ATTACHING STAIR SWIVEL/COMPOUND SWIVEL BRACKETS AND RAILS TO TREX® SIGNATURE™ POSTS AND PRESSURE-TREATED POST AND POST SLEEVES

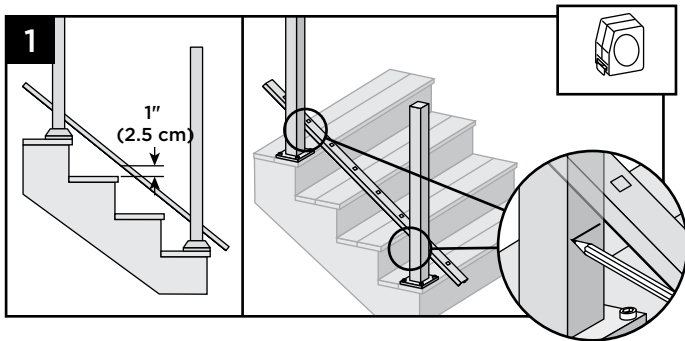
TREX® SIGNATURE™

## NOTES:

- » Illustrations shown are representations when using Trex® Signature™ post, but same rules apply if using pressure-treated posts and post sleeves.
- » Use a clamp to help hold stair brackets in place while fastening with screws.

## IMPORTANT NOTE:

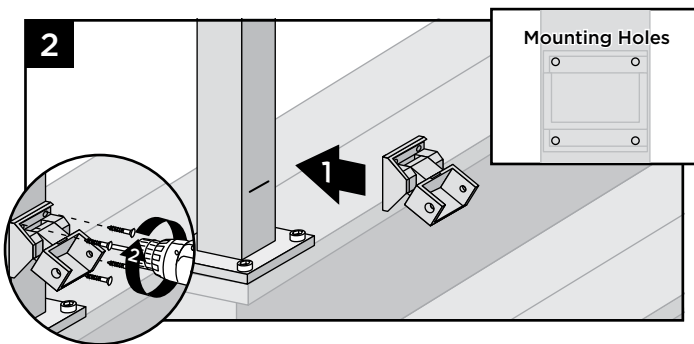
- » BEFORE ATTACHING ANY UPPER BRACKETS, MAKE SURE PROPER RAILING HEIGHTS ARE ACHIEVED. RAILING HEIGHTS AND UPPER BRACKET HEIGHTS MAY NEED TO BE ADJUSTED, HOWEVER, DO NOT REDUCE HEIGHTS BASED ON YOUR RAILING CODE REQUIREMENTS. MEASURE CAREFULLY AS DIMENSION HEIGHTS MAY NEED TO BE ADJUSTED!



1. Lay bottom stair rail on steps beside posts. Position bottom rail at least 1" (2.5 cm) above nose of stair tread.

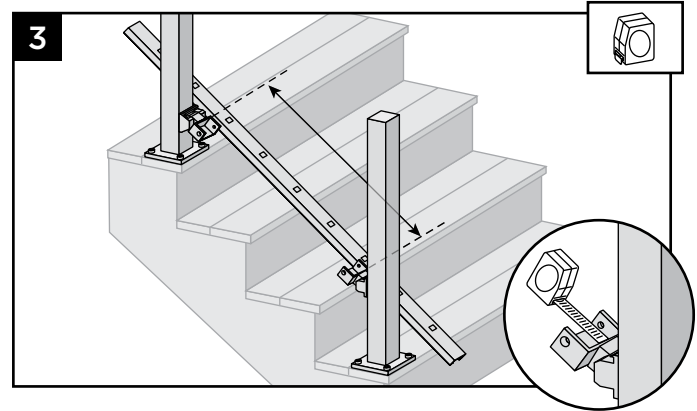
**TIP:** Use a 1" (2.5 cm) deck board as a spacer board and clamp rails to post. Mark where lower brackets are to be attached to both posts. Mark at underside of railing location.

## Installing Lower Stair Swivel and Compound Swivel Brackets



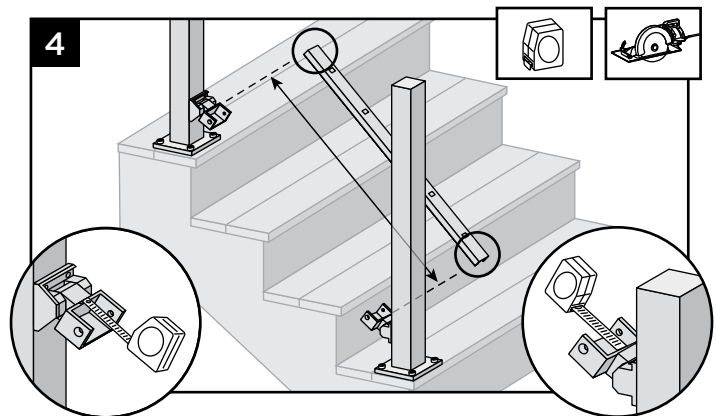
2. Center lower stair swivel bracket on post above the marked line and attach using four self-tapping screws (provided). In some cases it may be difficult to attach the stair bracket on the lower stair post. A 90° cordless drill is recommended to attach screws in this area (if possible).

## How to Measure Bottom Stair Railings (WHEN REQUIRED)



3. With brackets in correct swivel locations, measure distance from inside of swivel bracket to inside of swivel bracket. Ensure that before cutting, balusters holes are parallel and centered in between the posts and also allow for clearance for attachment to brackets. Mark bottom stair rail at each intersection.

## Cutting Bottom Stair Rail, Bottom Stair Rail Cover, and Attachment of Bottom Stair Rail Cover

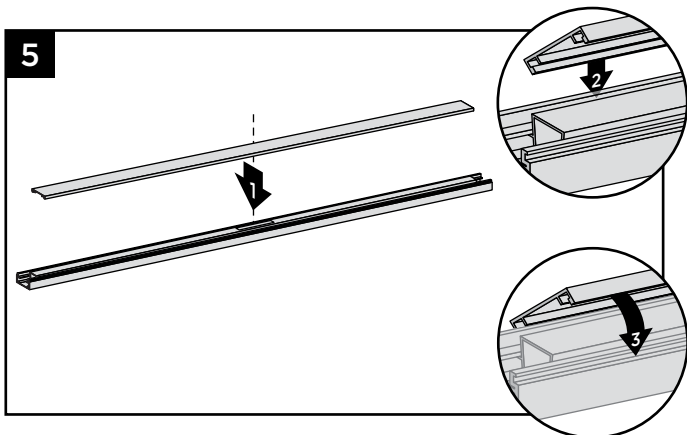


4. Cut each end of the bottom rail, rail insert, and bottom rail cover at the mark on each end to allow for fit into bottom stair rail brackets.

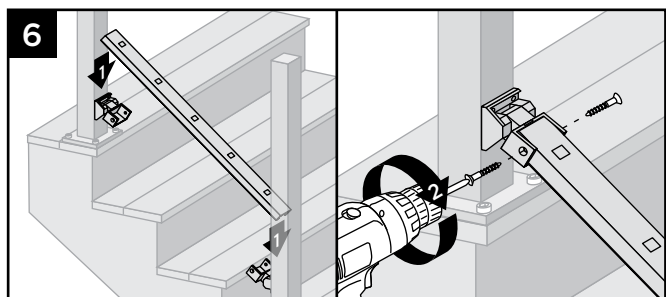
**NOTE:** Railing does not need to be cut at angle. Brackets are designed to allow for railing to be installed with standard straight cut.

# ATTACHING STAIR SWIVEL/COMPOUND SWIVEL BRACKETS AND RAILS TO TREX® SIGNATURE™ POSTS AND PRESSURE-TREATED POST AND POST SLEEVES/CONTINUED

TREX® SIGNATURE™



5. Attach “flat” bottom stair rail cover to bottom stair rail. Align cover on one side of the bottom rail in slot on side of rail. Then starting from one end of rail snap cover onto opposing slot working down the length of the rail. In some cases, **GENTLE** tapping with a **rubber mallet** may facilitate fastening.

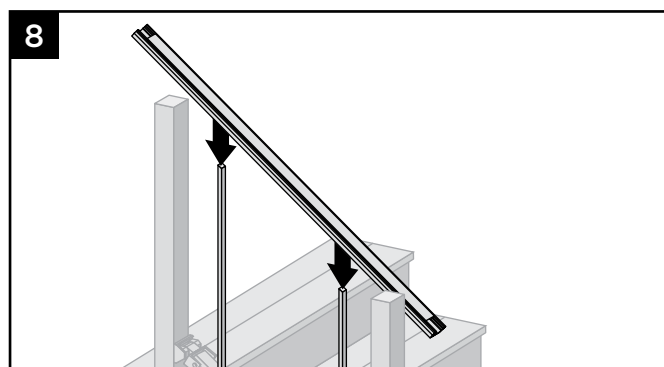
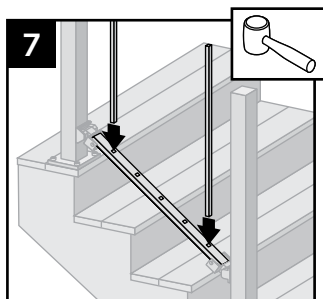


6. Set bottom stair rail into bottom stair rail brackets. Attach bottom stair rail to bottom stair bracket using two self-tapping screws (*provided*) on each side of bracket.

## Installing Upper Brackets and Measuring Upper Stair Rail-Stair Swivel and Compound Swivel

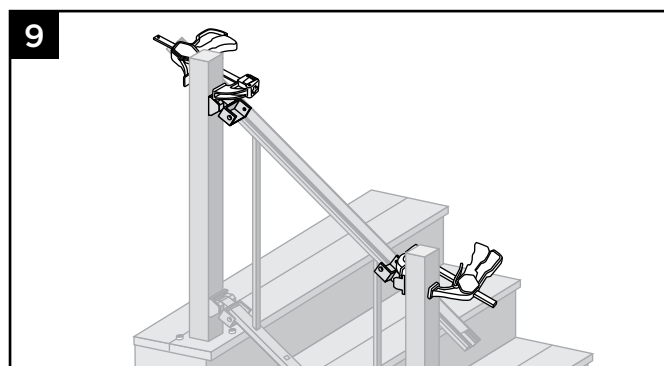
**IMPORTANT NOTE:** BEFORE CUTTING ANY TOP RAILS MAKE SURE THAT WHEN MEASURING, ALL BALUSTER HOLES LINE UP PARALLEL!

7. Place two balusters into lower rail at each end closest to post.

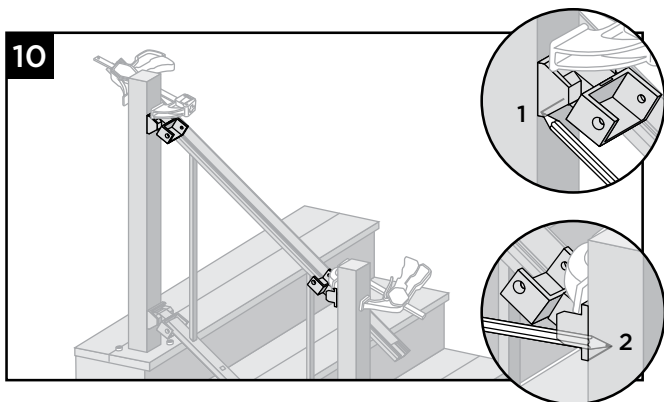


8. Position top stair rail onto balusters ensuring balusters are fully seated in top rail (position to side of post) and **ENSURE** that balusters are parallel with post.

## Installing Upper Stair Swivel and Compound Swivel Brackets



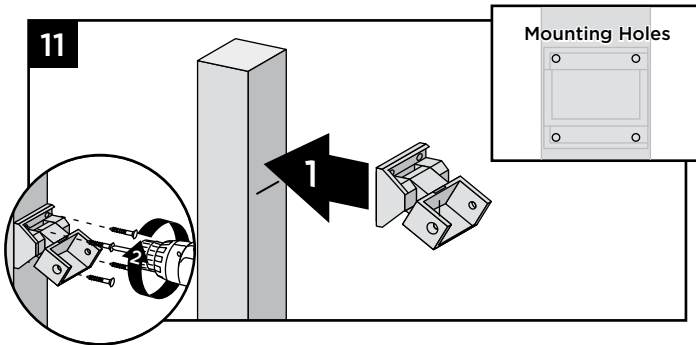
9. Clamp brackets to side of rail with brackets in correct swivel location/angle (this is important to ensure correct location of swivel brackets).



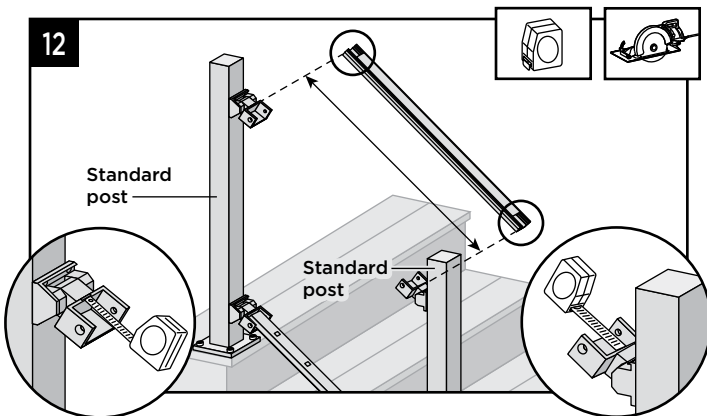
10. Mark a light line on posts at **UNDERSIDE** of where swivel bases (positioned correctly) meets the posts.

# ATTACHING STAIR SWIVEL/COMPOUND SWIVEL BRACKETS AND RAILS TO TREX® SIGNATURE™ POSTS AND PRESSURE-TREATED POST AND POST SLEEVES/CONTINUED

TREX® SIGNATURE™

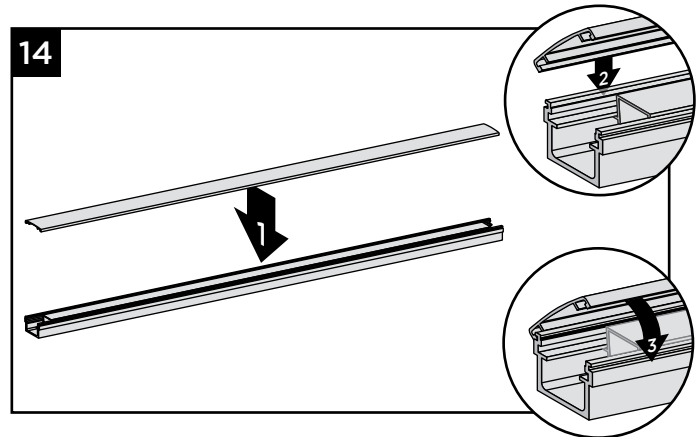
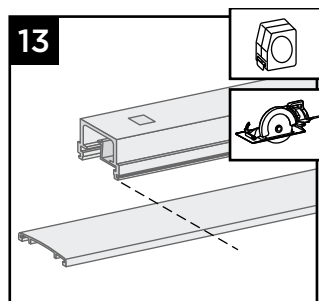


11. Remove upper stair rail from balusters and center upper stair swivel bracket on post **above** the marked line and attach using four self-tapping screws (*provided*).



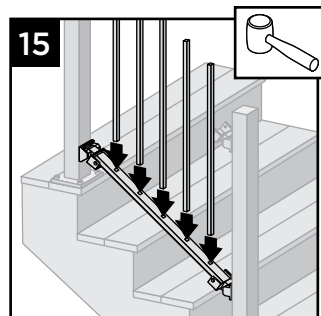
12. Cut top rail along with rail insert to the measurement between the top stair swivel brackets. For standard post to standard post configurations this would be same dimensions as that of the bottom stair rail.

13. Mark and cut top rail cover same length as top rail for all top rail configurations.

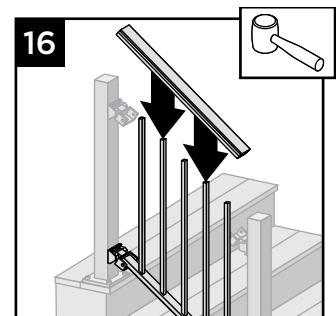


14. Attach “crowned” upper stair rail cover to upper stair rail by aligning cover on one side of rail. Then starting from one end of stair rail, snap cover onto opposing slot working down length of stair rail. **GENTLE** tapping with a **rubber mallet** may facilitate fastening.

## Installing Balusters into Bottom Stair Rail



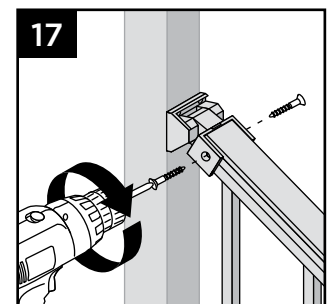
15. Place balusters into holes in lower stair rail by snapping fully into place. In some cases, **GENTLE** tapping with a **rubber mallet** may facilitate fastening.



## Attaching Upper Stair Rails

16. Working from one end of upper stair rail, snap balusters into upper stair rail working down length of rail.

17. Attach top stair rail to top stair bracket (all types) using two self-tapping screws (*provided*) on each side of stair bracket.

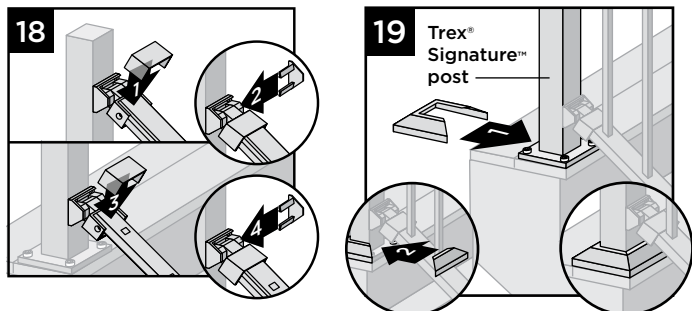


**NOTE:** Pre-drilling is required (7/64" [0.28 cm] drill bit) for attachment of stair railing to stair bracket.

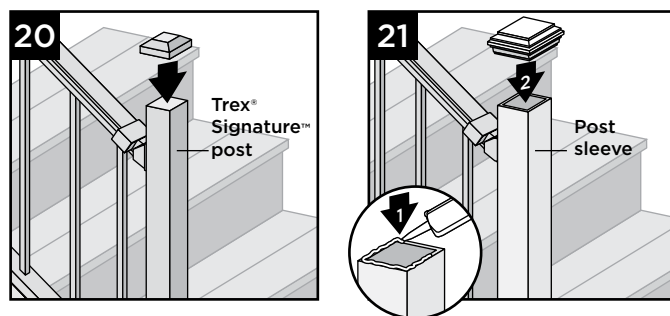
# ATTACHING STAIR SWIVEL/COMPOUND SWIVEL BRACKETS AND RAILS TO TREX® SIGNATURE™ POSTS AND PRESSURE-TREATED POST AND POST SLEEVES/CONTINUED

TREX® SIGNATURE™

## Attachment of Stair Bracket Covers, Skirts, and Caps



18. Attach corresponding bracket covers over opening in upper and bottom rails.
19. Attach provided post skirt to bottom of posts when using Trex® Signature™ posts.

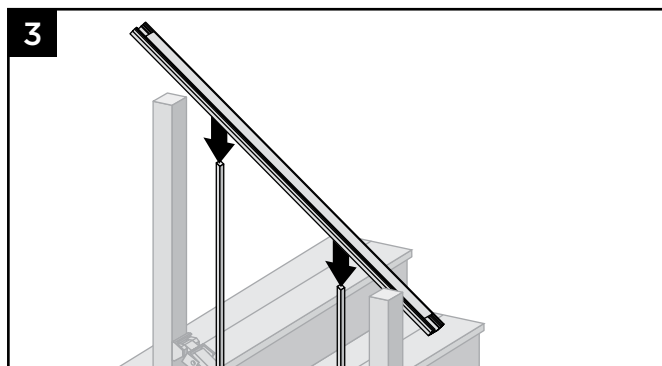
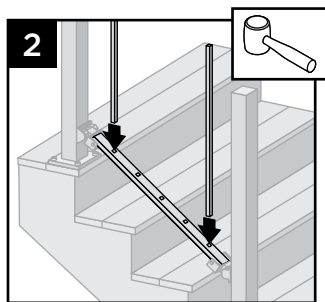


20. Attach post caps to Trex® Signature™ posts (use of **rubber mallet** may be required for secure attachment).
21. Attach post caps to post sleeves using external grade PVC construction adhesive.

## ATTACHING CROSSOVER SWIVEL BRACKET ON SIGNATURE POST

TREX® SIGNATURE™

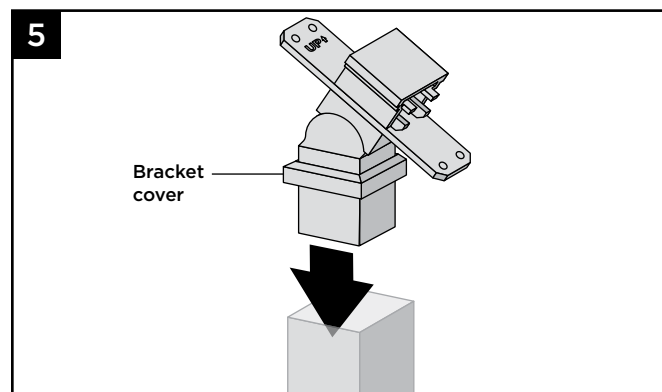
1. Follow previous instructions for installation of lower stair rail into either fixed or swivel brackets.
2. Place two balusters into lower stair rail at each end of post.



3. Position top stair rail onto balusters ensuring balusters are fully seated in top rail (position to side of post) and **ENSURE** that balusters are parallel with post.

4. Follow previous instructions marking and installation of either fixed or swivel bracket where this is required.

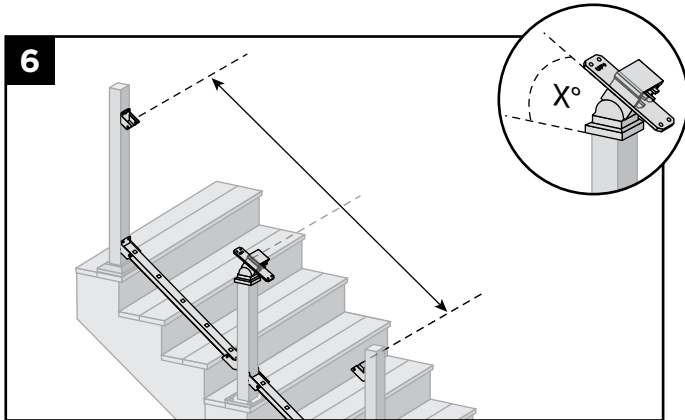
### Attaching Stair Crossover Swivel Bracket to Post



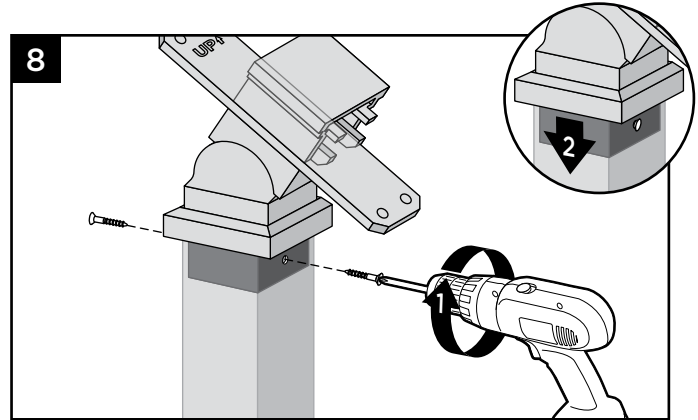
5. Insert stair crossover swivel bracket into post.

**NOTE:** Keep the bracket cover on when inserting this into post, this will cover the screw attachment area.

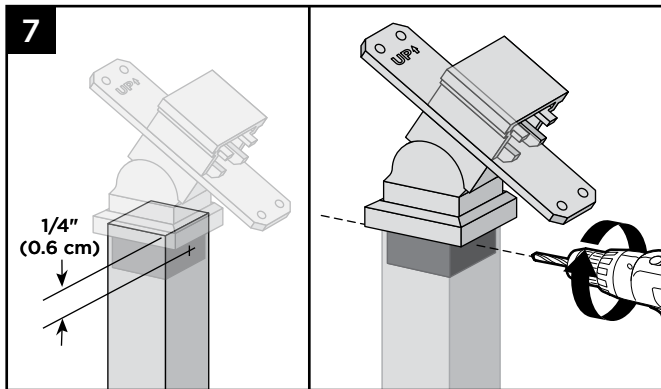
# ATTACHING CROSSOVER SWIVEL BRACKET ON TREX® SIGNATURE™ POST/CONTINUED TREX® SIGNATURE™



6. Determine location/height of the stair crossover swivel bracket by aligning the angle of this with the fixed brackets (or compound swivel brackets) already installed (posts can be cut if necessary).



8. Attach stair crossover swivel bracket to post with two self-tapping screws (*provided*). Slide cover over post to hide screws.



7. Once location/height is determined, center and pre-drill two holes (using a drill bit slightly smaller than that of self-tapping screw diameter) on opposite sides of post, approx. 1/4" (0.6 cm) from top of post. Drill through the post and into the stair crossover swivel bracket on each side.

**NOTE:** Slightly countersink pre-drilled holes to allow for flat head screw to seat flush on the post. This will allow cover to fit over screw heads.

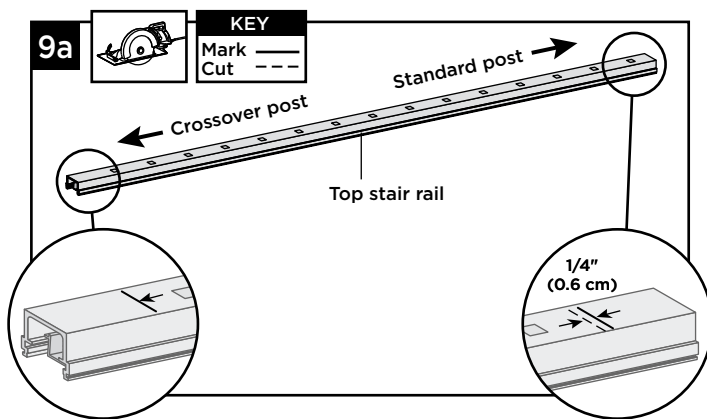


# ATTACHING STAIR RAILS IN CROSSOVER POST APPLICATIONS

## TREX® SIGNATURE™

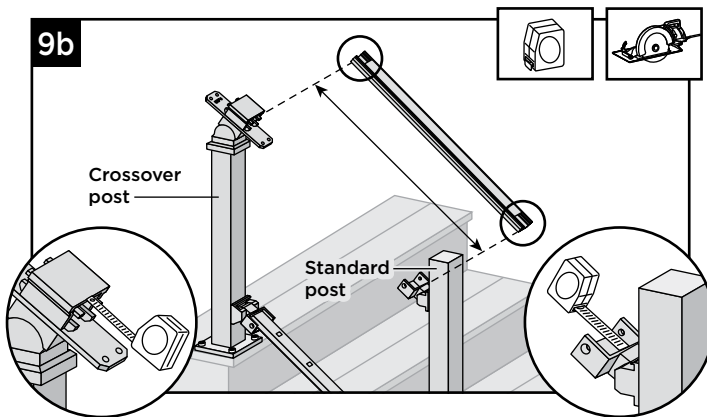
### Cutting Top Stair Rail and Insert For Stair Post-to-Stair Crossover Post Configuration

When Using Fixed Stair Brackets:



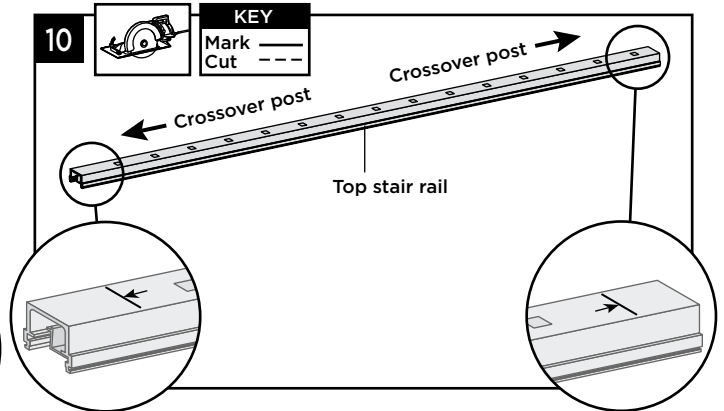
- 9a. Top stair rail along with rail insert must be cut differently on each side of the rail. Railing side that attaches to standard post should be cut 1/4" (0.6 cm) shorter than the mark to allow for fit into top rail bracket. Railing side that attaches to the crossover post should be cut directly on the mark to allow for fit into the crossover post bracket.

When using Upper Stair Swivel and Stair Crossover Swivel Brackets:



- 9b. When going from standard stair post to stair crossover post, measurement must be taken from inside of top horizontal stair swivel bracket to inside lip of stair crossover bracket. Crossover post will need to be modified to have swivel crossover bracket installed.

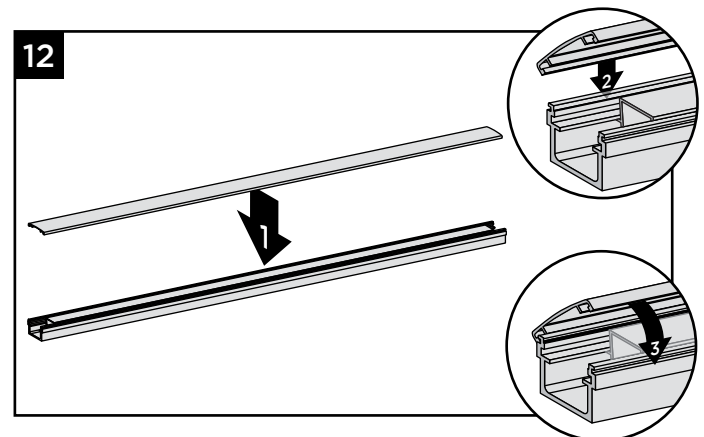
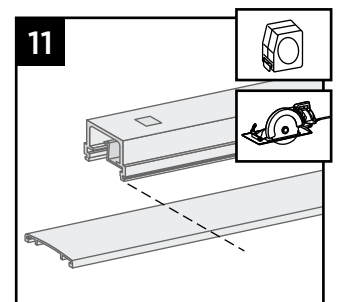
### Cutting Top Stair Rail and Rail Insert For Stair Crossover Post-to-Stair Crossover Post Configuration



10. Cut each end of the top stair rail along with rail insert on the mark line to allow for fit into the crossover post bracket on each side.

### Cutting Top Stair Rail Cover, and Attachment of Top Stair Rail Cover

11. Mark and cut top rail cover same length as top rail for all top rail configurations.

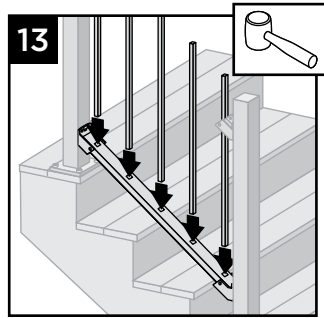


12. Attach "crowned" upper stair rail cover to upper stair rail by aligning cover on one side of rail. Then, starting from one end of stair rail, snap cover onto opposing slot working down length of stair rail. **GENTLY** tapping with a **rubber mallet** may facilitate fastening.

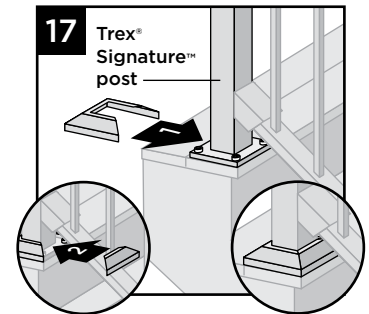
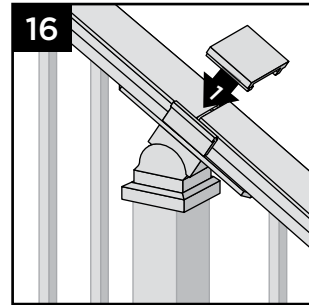
# ATTACHING STAIR RAILS IN CROSSOVER POST APPLICATIONS/CONTINUED TREX® SIGNATURE™

## Installing Balusters into Bottom Stair Rail

13. Place balusters into holes in lower stair rail by snapping fully into place. In some cases, **GENTLE** tapping with a **rubber mallet** may facilitate fastening.

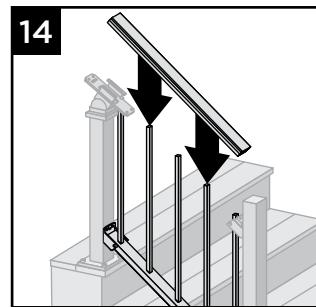


## Attachment of Stair Bracket Covers, Skirts, and Caps



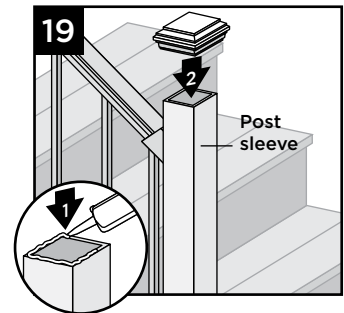
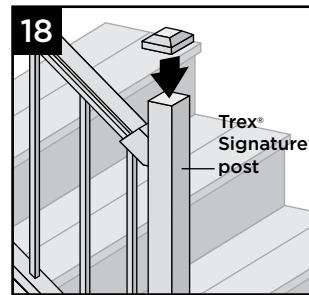
## Attaching Upper Stair Rails

14. Working from one end of upper stair rail, snap balusters into upper stair rail working down length of rail.

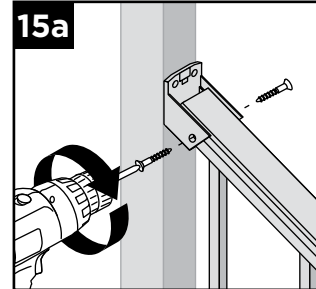


16. Attach crossover bracket covers over opening in upper rails.

17. Attach provided post skirt to bottom of posts when using Trex® Signature™ posts.



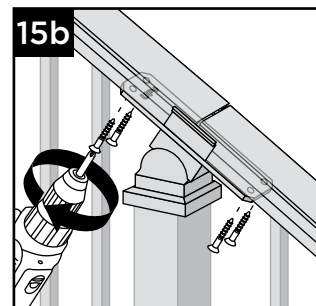
- 15a. For stair post-to-post configuration, attach top stair rail to top stair bracket (all types) using two self-tapping screws (*provided*) on each side of stair bracket.



18. Attach post caps to Trex® Signature™ posts (use of **rubber mallet** may be required for secure attachment).

19. Attach post caps to post sleeves using external grade PVC construction adhesive.

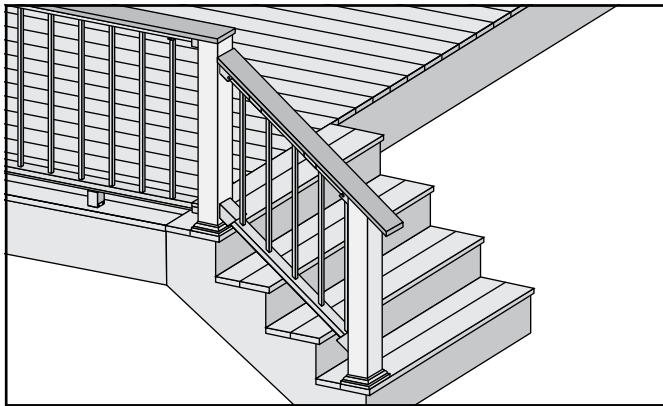
- 15b. For stair crossover post configuration, fasten upper stair rail to swivel crossover post bracket by installing screws diagonally through crossover stair bracket into upper rail using two self-tapping screws (*provided*) on each side.



**NOTE:** Pre-drilling is required (7/64" [0.28 cm] drill bit) for attachment of stair railing to stair bracket.

# HOW TO INSTALL TREX® SIGNATURE™ COCKTAIL STAIR RAILING

TREX® SIGNATURE™



## IMPORTANT NOTES:

- » Only for use with pressure-treated 4 x 4 post (3.5" nominal square) and 4" x 4" (102 mm x 102 mm) post sleeve. Trex® Signature™ posts, Trex post mounts or joist mount posts cannot be used with Trex® Signature™ Cocktail stair railing. Cutting post and post sleeve only apply to the Cocktail style railing.
- » DO NOT CUT POST/POST SLEEVES UNTIL TOP RAILING AND COVER IS FULLY INSTALLED.
- » When referring to previous instructions referenced, disregard all crossover post instructions as these cannot be used with Cocktail railing.
- » THE DECK BOARD USED IN TREX® SIGNATURE™ COCKTAIL WILL NEED TO TERMINATE AT THE TOP OF THE POST AS SHOWN ABOVE. THE DECK BOARD WILL HAVE TO BE TOENAILED INTO THE SIDE OF THE POST IN THESE AREAS USING 2 APPROPRIATE COMPOSITE DECKING SCREWS - PRE-DRILLING IS RECOMMENDED.
- » Do Not use Enhance (scalloped profile) or Escapes for top board.

## Installing Pressure-treated Posts, Post Sleeves, and Skirts to Use with Trex® Signature™ Railing

1. See instructions on page 106.

## Installing Brackets

2. Follow previous stair instructions for the installation of desired brackets, making sure that all dimensions are calculated before installation, and ensuring deck board is placed in correct location. See instructions on page 107 for fixed stair brackets and 111 for swivel stair brackets.

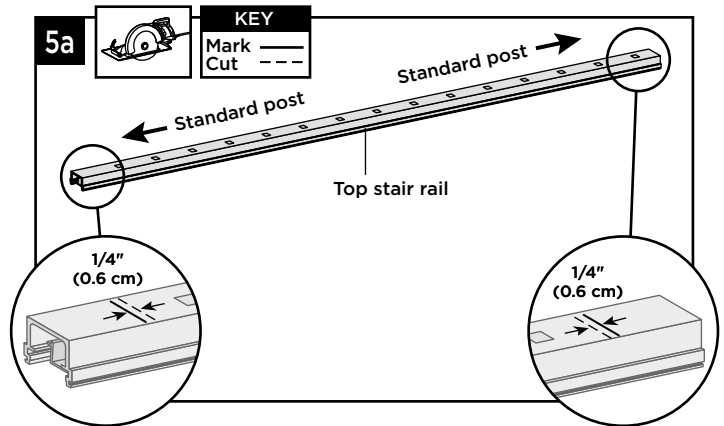
## Cutting Bottom Stair Rail and Cover, and Attachment of Bottom Stair Rail

3. See instructions on page 107 for fixed stair brackets and page 111 for swivel stair brackets.

## How to Measure Top Stair Railings (WHEN REQUIRED)

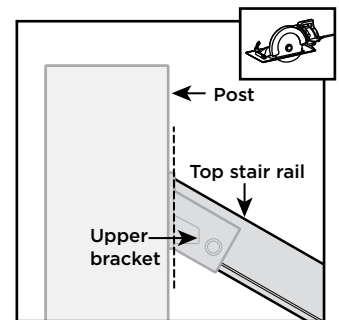
4. See instructions on page 108 for fixed stair brackets and 112 for swivel stair brackets.

## Cutting Top Stair Rail, Rail Insert and Cover When using Fixed Stair Brackets



- 5a. Cut each end of top stair rail along with rail insert 1/4" (0.6 cm) shorter than mark to allow for fit into top stair rail bracket.

**NOTE:** THE TOP RAIL WILL NEED TO BE CUT AT APPROPRIATE ANGLE ON THE END OF THE RAIL THAT CONNECTS TO THE UPPER FIXED BRACKET, SO THAT WHEN THE RAIL IS INSTALLED IT SITS FLUSH WITH THE END OF THE BRACKET AS SHOWN.



## Cutting Top Stair Rail, Rail Insert and Cover When using Upper Stair Swivel and Compound Swivel Brackets

- 5b. See instructions on page 113.

## Installing Balusters into Bottom Stair Rail

6. See instructions on page 109 for fixed stair brackets and page 113 for swivel stair brackets.

## Attaching Upper Stair Rails

7. See instructions on page 110 for fixed stair brackets and page 113 for swivel stair brackets.

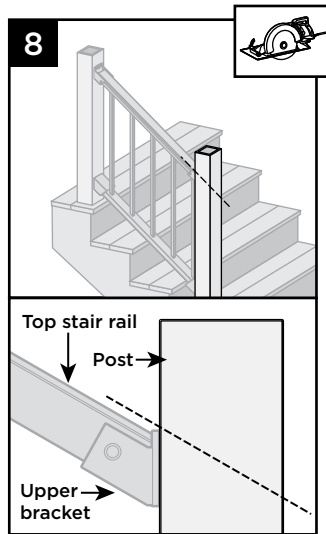


# HOW TO INSTALL TREX® SIGNATURE™ COCKTAIL STAIR RAILING

## TREX® SIGNATURE™/CONTINUED

### Cutting Post and Post Sleeve and Attaching Deck Board to Top Rail

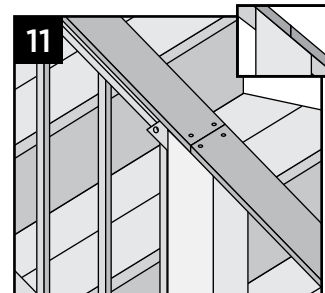
8. Cut post and post sleeves at proper angle so these are flush with the top of the top brackets and/or top rail cover. BE CAREFUL NOT to CUT brackets.



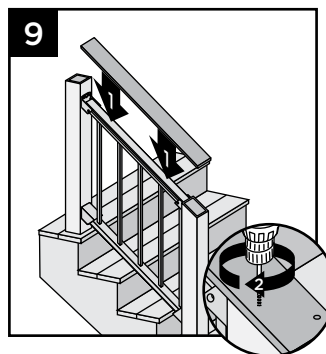
11. Use scarf cut for posts where two deck boards meet.

#### NOTES:

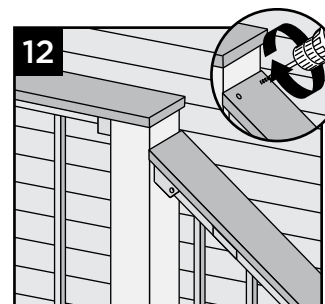
- » Leave 1/8" (3 mm) gap between deck boards.
- » Deck boards can overhang end of last post maximum 1/2" (13 mm).



9. Place deck boards over top rails. **DO NOT** use Enhance (scalloped profile) or Escapes deck boards for top rail. PLACE DECK BOARD ON TOP RAIL TO CHECK FOR PROPER FIT AND RAIL CLEARANCE AT BRACKET LOCATIONS. DECK BOARD MAY REQUIRE EITHER A NOTCH CUT ON THE UNDERSIDE OR SLIGHT PLANING ON THE UNDERSIDE TO ALLOW DECK BOARD TO CLEAR TOPS OF BRACKETS AND SIT FLUSH ON TOP OF POSTS AND RAILS. Attach boards on each post with Trex-recommended composite screws (quantity of 2 per each board end).



12. Where deck board terminates at top of post horizontal deck board, PREDRILL and toenail two approved composite deck screws as shown into post, being careful to avoid hitting stair bracket.

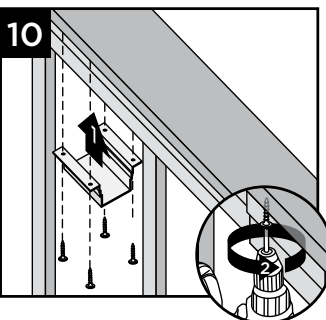


#### Attachment of Bottom Bracket Covers and Skirts

13. See instructions on page 110.

**NOTE:** Top Bracket Covers are not attached in this configuration.

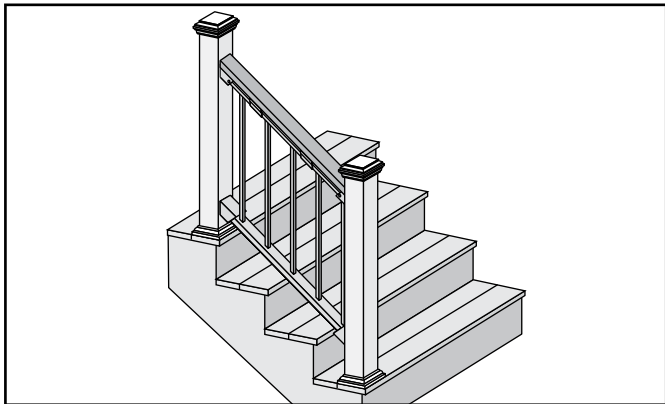
10. Secure boards to top rail using Trex® Signature™ Cocktail Bracket (sold separately). Ensure that there is a bracket at each end of the stair railing section, then space brackets approximately every 24" and attach with 4 screws provided.



**NOTE:** Pre-drilling before attachment is recommended.

# HOW TO INSTALL TREX® SIGNATURE™ TRADITIONAL STAIR RAILING

## TREX® SIGNATURE™



### IMPORTANT NOTE:

» Only for use with pressure-treated 4 x 4 post (3.5" nominal square), Trex Post Mounts, or Joist Mount Posts, and 4" x 4" (102 mm x 102 mm) or 6" x 6" post sleeve. Trex® Signature™ Posts cannot be used with Trex® Signature™ Traditional railing.

### Installing Standard Trex® Signature™ Stair Posts, or Pressure-treated Post

1. See instructions on page 106.

### Installing Lower Stair Brackets

2. See instructions on page 107 for fixed stair brackets or page 111 for swivel stair brackets.

### How to Measure Bottom Stair Railings

3. See instructions on page 107 for fixed stair brackets or page 111 for swivel stair brackets.

### Cutting Bottom Stair Rail, Bottom Stair Rail Cover

4. See instructions on page 107 for fixed stair brackets or page 111 for swivel stair brackets.

### Attachment of Bottom Stair Rail Cover and Bottom Stair Rail

5. See instructions on page 108 for fixed stair brackets or page 112 for swivel stair brackets.

### Installing Upper Stair Brackets and Measuring Upper Rail

6. See instructions on pages 108 for fixed stair brackets or page 112 for swivel stair brackets.

### Cutting Top Stair Rail, Rail Insert and Cover

7. See instructions on page 109 for fixed stair brackets or page 113 for swivel stair brackets.

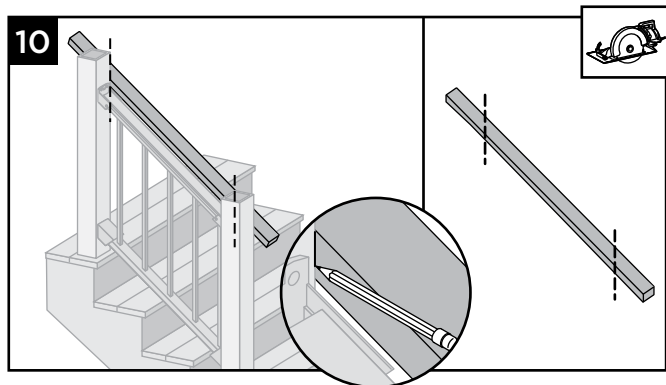
### Installing Balusters into Bottom Stair Rail

8. See instructions on page 109 for fixed stair brackets or page 113 for swivel stair brackets.

### Attaching Upper Stair Rails

9. See instructions on page 110 for fixed stair brackets or page 113 for swivel stair brackets.

### Attaching 2"x 4" to Top Rail



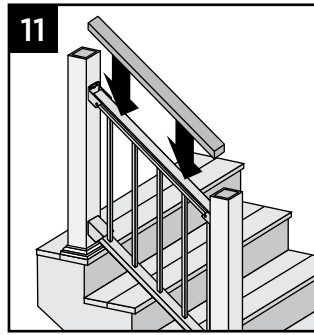
10. Place 2" x 4" (51 mm x 102 mm) beside top rail. Mark and cut (both ends need to be cut on an angle for proper fit).



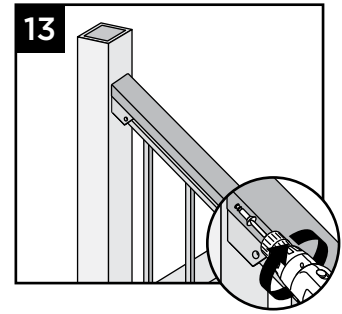
# HOW TO INSTALL TREX® SIGNATURE™ TRADITIONAL STAIR RAILING

## TREX® SIGNATURE™/CONTINUED

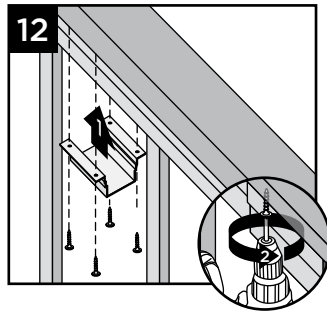
11. Place 2" x 4" (51 mm x 102 mm) on Trex® Signature™ top stair rail.



13. Pre-drill a pilot hole and toenail 2-1/2" (6.4 cm) screw at each end of 2" x 4" (5.1 cm x 10.2 cm) into post on back side of rail (side not facing decking).



12. Secure 2" x 4" (51 mm x 102 mm) to top rail using Trex® Signature™ Cocktail Bracket (sold separately). Ensure that there is a bracket at each end of the railing section, then space brackets approximately every 24" and attach with 4 screws provided.



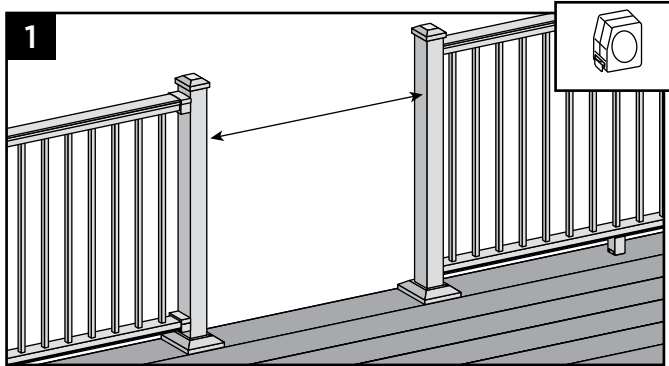
### Attachment of Lower Stair Bracket Covers, Skirts, and Caps

14a. See instructions on page 110 for fixed stair brackets or page 118 for swivel stair brackets.

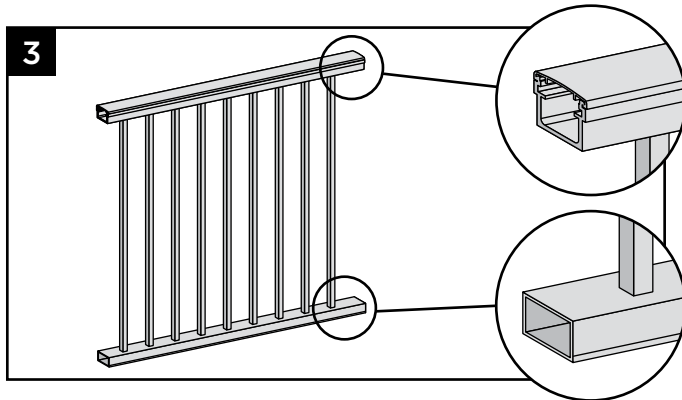
**NOTE:** Top Bracket Covers are not attached in this configuration.

**NOTE:** Pre-drilling before attachment is recommended.

# HOW TO INSTALL ALUMINUM GATE

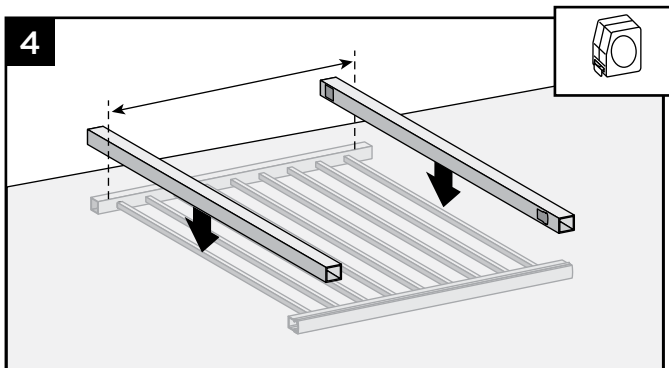


1. Measure opening between posts (gates can be customized to fit nearly any opening up to 48" [1219 mm] wide).
2. Subtract 1-7/8" (48 mm) from above measurement. This will allow for proper gapping and location of gate.

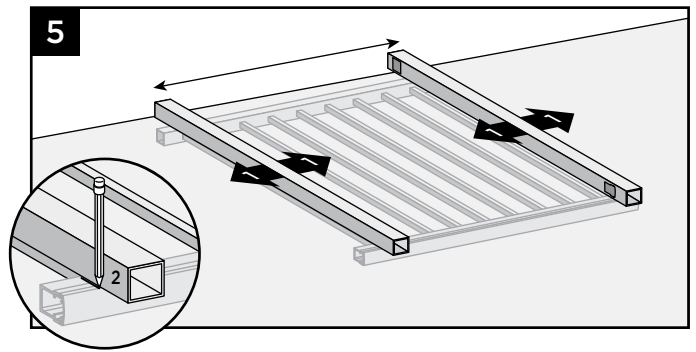


3. Identify top and bottom of panel.

**NOTE:** The posts only fit in one direction.

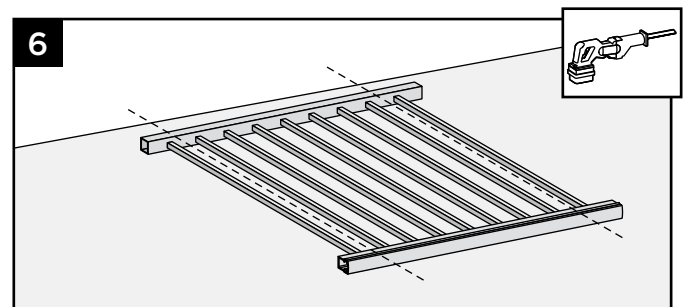


4. Lay panel on a flat non-marring surface. Place posts on top of panel. Place posts so that width measurement from Step 2 is to the outside of each post.

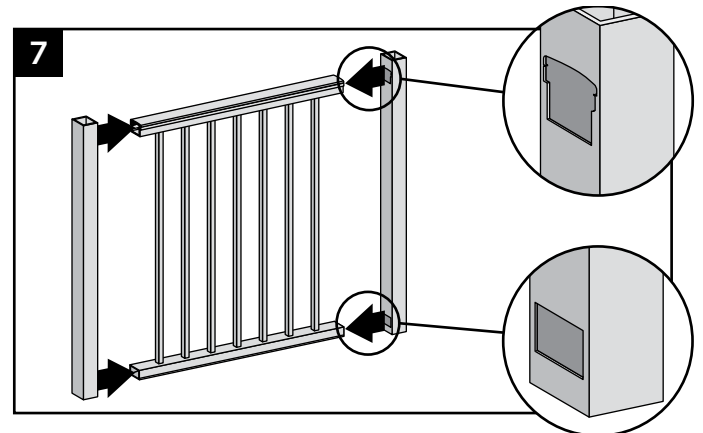


5. Adjust posts so that cut marks do not fall on a baluster. Make sure distance from first baluster to post is the same on both sides. Mark cut locations on panel.

**NOTE:** If widths do fall on a baluster, cut baluster flush at top and bottom prior to cutting panel.



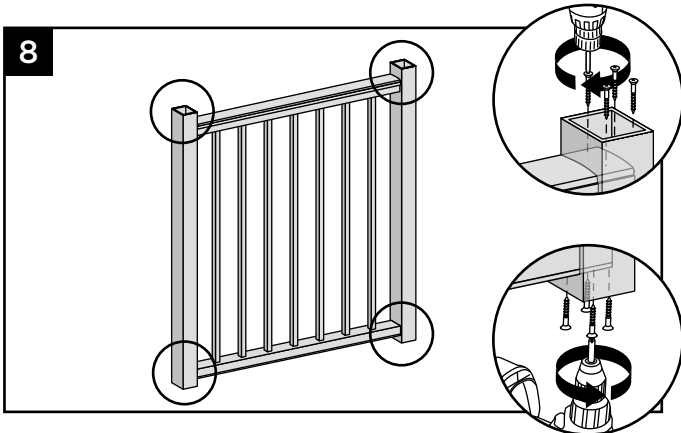
6. Cut panel using a reciprocating saw (equipped with a metal blade).



7. Insert posts into panel.

**NOTE:** Make sure top and bottom of panel orientation is correct.

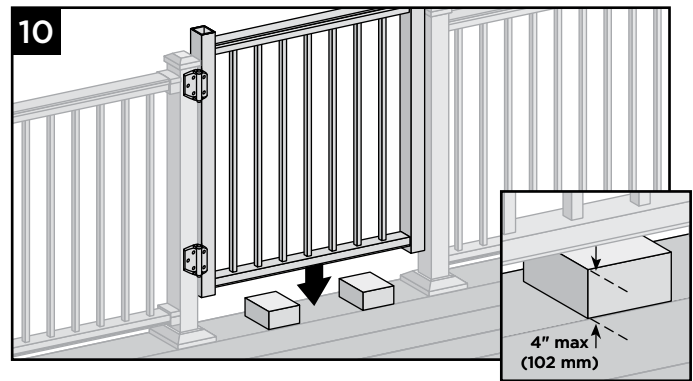
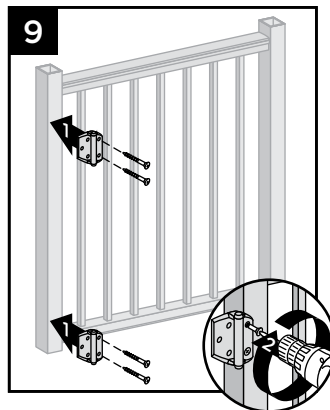
# HOW TO INSTALL ALUMINUM GATE/CONTINUED



8. Secure posts to panel with four #8-18 short self-tapping screws (*provided*) in each location.

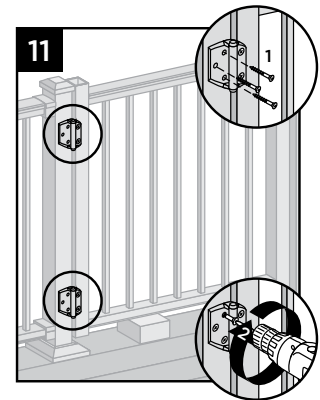
9. Attach shorter side of hinge to the gate.

**NOTE:** Refer to instructions included in hardware package. Be sure to use correct fasteners for aluminum. See chart below.



10. Place gate in opening on blocks. Sweep between bottom of gate and top of deck cannot exceed 4" (102 mm) per IRC/IBC code regulations. Ensure bottom gate posts will be high enough to clear skirts on bottom of deck posts.

11. Make sure posts are plumb and gate is level. Attach longer side of hinges to post using appropriate hardware for type of post installed. Install hinge cover.



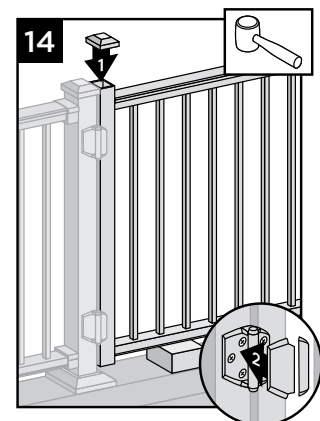
**NOTES:**



- » Both wood and aluminum screws are included in hardware kit. (Refer to chart under Step 9.)
- » If using Trex Post Mounts with Post Sleeves, pre-drilling is required using 1/8" (3 mm) drill bit, as you must go through both aluminum sleeve and internal post.

12. After determining location and height of hinge and hasp (If using PT post/post sleeve, measure location of latch body before attachment to post sleeve. If necessary the L bracket of the latch body can be removed in order to place the latch body in proper location for latch bolt to engage.), install per instructions included with hardware kit.

13. Ensure proper operation of gate. Hinge tension is adjustable (*check hardware kit instructions for more detail*).

14. After gate installation, place blocks under gate for support. Use a rubber mallet to install cap onto gate post. Repeat for other gate post cap. Snap all hinge covers into place.



| MINIMUM FASTENER SIZE  |                |       |
|--|----------------|-------|
| SCREWS   |                |       |
| Type   | Length         | No.   |
| <br>Wood Screw  | 2-1/2" (64 mm) | #9    |
| <br>Metal Screw | 2" (51 mm)     | #8-18 |

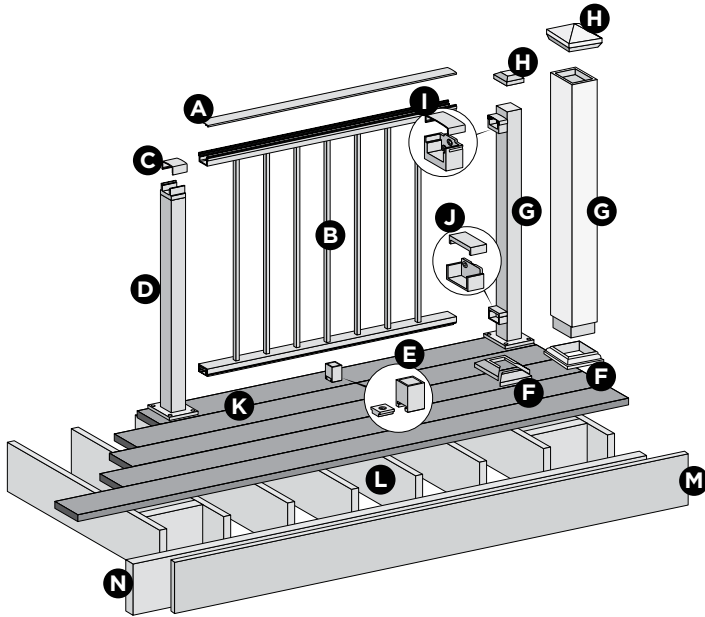
**NOTE:** Use of non-Trex hardware is not recommended and could result in serious injury or death.

# TREX® SIGNATURE™ PANELS

## NOTES:

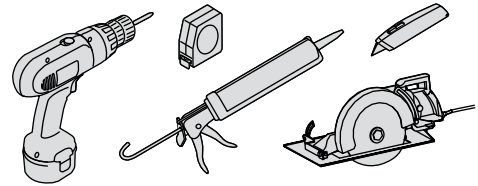
- » TREX® SIGNATURE™ RAILINGS ARE DESIGNED TO BE ATTACHED WITH POSTS INSTALLED AT A CLEAR SPAN OF 6' (1.83 M) OR 8' (2.44 M).
- » IF INSTALLING AT EXACT SPAN LENGTHS OF 6' (1.83 M) OR 8' (2.44 M), AND USING POST-TO-POST CONFIGURATION, THE BOTTOM RAIL WILL NOT NEED TO BE CUT, BUT THE TOP RAIL WILL NEED TO BE MEASURED AND CUT.
- » IF INSTALLING AT EXACT SPAN LENGTHS OF 6' (1.83 M) OR 8' (2.44 M), AND USING CROSSOVER POST CONFIGURATION (SPANS FROM ONE CROSSOVER POST TO ANOTHER CROSSOVER POST), BOTH THE BOTTOM RAIL AND TOP RAIL WILL NOT NEED TO BE CUT.
- » IN ADDITION, AT ALL FINAL END POST CONFIGURATIONS, TOP RAIL WILL NEED TO BE MEASURED AND CUT.
- » SEE INFORMATION WITHIN DETAILED INSTRUCTIONS FOR MORE INFORMATION.
- » SEE PAGE 59 FOR SKU NUMBERS.

## PARTS



- A. Trex® Signature™ upper rail cover\*
  - 6' (actual length 73-1/2" [1867 mm])
  - 8' (actual length 97-1/2" [2477 mm])
- B. Trex® Signature™ Panel (includes top and bottom railings and square balusters)
- C. Crossover bracket cover (supplied with crossover post)
- D. Trex® Signature™ crossover post\*\*
  - 36" (actual length 34-1/2" [876 mm])
  - 42" (actual length 40-1/2" [1029 mm])
- E. Trex® Signature™ foot block\*\*\*
- F. Trex® Signature™ post skirt or post sleeve skirt\*\*
- G. Trex® Signature™ post\*\*
  - 2-1/2"
  - 36" (actual length 37" [940 mm])
  - 42" (actual length 43" [1092 mm])
  - or Trex 4x4 post sleeve\*\*
    - 36" (actual length 39" [991 mm])
    - 42" (actual length 45" [1143 mm])
- H. Trex® Signature™ post cap or post sleeve cap\*\*

## TOOLS NEEDED



## NOTES:

- » Assembled Trex® Signature™ Panels DO NOT come with foot blocks. You must purchase foot blocks separately. SKU - BKALFTBLK (one per panel required on spans greater than 6', see note below\*\*).
- » Assembled Trex® Signature™ Panels DO NOT come with brackets and screws. You must purchase the horizontal rail hardware separately. SKU - XXHZBTMBRKTPNL (one per panel). Older horizontal rail hardware SKU BKFHBKTAL will also work when installing panel rails. See detailed instructions.

- I. Trex® Signature™ upper rail bracket and cover
- J. Trex® Signature™ lower rail tabless bracket and cover
- K. Trex decking
- L. Code-approved wood joist 2" x 8" (51 mm x 203 mm) or larger
- M. Trex Fascia
- N. Code-approved wood rim joist 2" x 8" (51 mm x 203 mm) or larger

\* Covers are slightly longer to accommodate crossover post applications.

\*\* Item not included in Trex® Signature™ Panel kits. Both 4" x 4" (102 mm x 102 mm) and 6" x 6" (152 mm x 152 mm) post sleeves are designed to fit over 4" x 4" pressure-treated post.

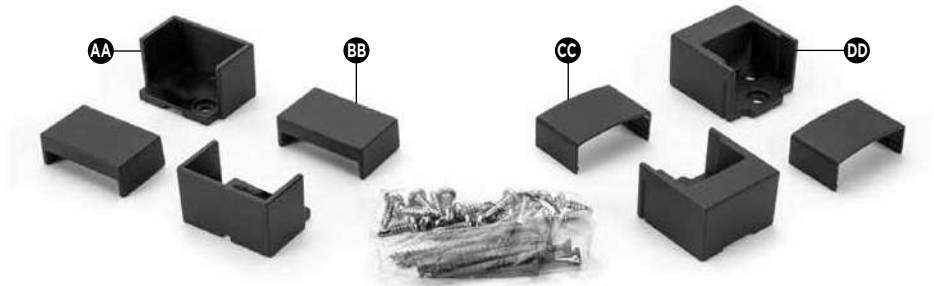
\*\*\* Required ONLY for all clear span applications over 6' (1.83 m) when fixed baluster is centered or unsupported spans greater than 5' (1.52 m). For example, if an 8' (2.44 m) panel is cut into a 5-1/2' (1.68 m) section, it would require a foot block due to the off-center placement of the fixed baluster.

NOTE: If installing 42" (1067 mm) railing, and using pressure-treated posts with Trex post sleeves, ensure that a longer pressure-treated post is used along with longer post sleeve, both cut to a height of 46" (1168 mm) from decking surface.

# BRACKET HARDWARE - HORIZONTAL APPLICATIONS (INCLUDING HORIZONTAL SWIVEL BRACKETS) TREX® SIGNATURE™

## HORIZONTAL RAILING HARDWARE

- AA. Lower rail bracket
- BB. Lower rail bracket cover
- CC. Upper rail bracket cover
- DD. Upper rail bracket



## FOOT BLOCK COMPONENTS

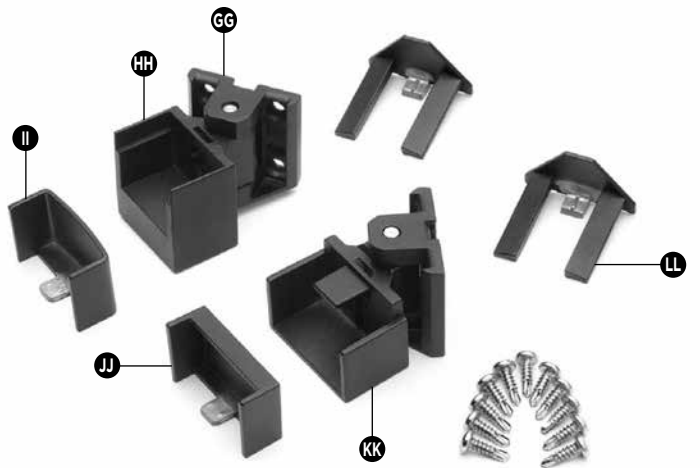
- EE. Foot block base
- FF. Foot block support



## HORIZONTAL SWIVEL HARDWARE

- GG. Swivel base
- HH. Horizontal swivel bracket top rail
- II. Horizontal swivel bracket top rail cover
- JJ. Horizontal swivel bracket bottom rail cover
- KK. Horizontal swivel bracket bottom rail
- LL. Swivel base cover

**NOTE:** For measurements and detailed horizontal swivel hardware installation instructions, please see the complete Trex® Signature™ installation section.





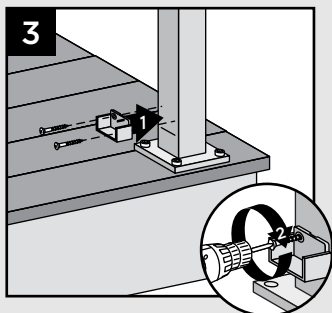
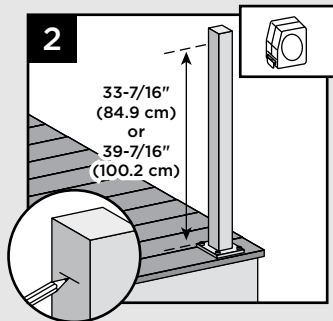
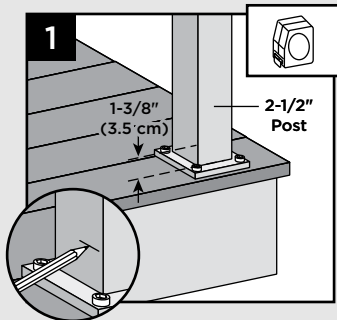
# HOW TO INSTALL PANELS TREX® SIGNATURE™ STANDARD

**NOTE: FOR EASE OF INSTALLATION, IT IS RECOMMENDED THAT YOU USE THE TREX® SIGNATURE™ RAIL TEMPLATES TO ATTACH BRACKETS (SOLD SEPARATELY).**

## Attach Brackets Using Trex® Signature™ Posts

**TIP:** Use a clamp to help hold brackets in place while fastening with screws.

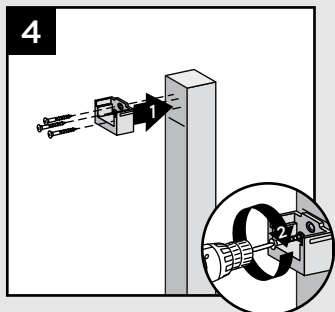
1. Measure 1-3/8" (3.5 cm) from top of post base plate or 1-7/8" (4.8 cm) from decking surface. Mark with light line.



2. Measure up from post base plate 33-7/16" (84.9 cm) for 36" (92 cm) rail height or 39-7/16" (100.2 cm) for 42" (107 cm) rail height. Mark with light line.

**NOTE:** If measuring from decking surface, measure up 33-15/16" (86.2 cm) for 36" (92 cm) rail height or 39-15/16" (101.4 cm) for 42" (107 cm) rail height.

3. Center lower bracket on post **above** the marked line and attach using two self-tapping screws (provided).
4. Center upper bracket on post **above** marked line and attach using (3) self-tapping screws (provided).

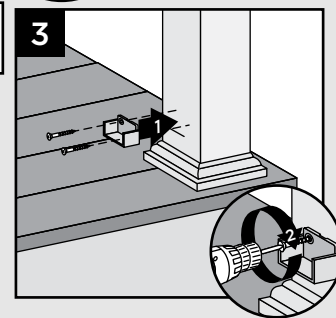
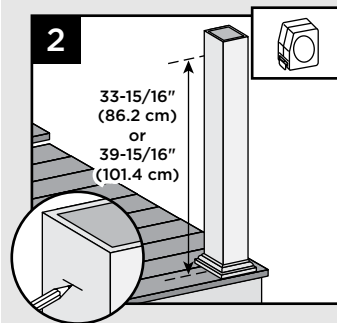
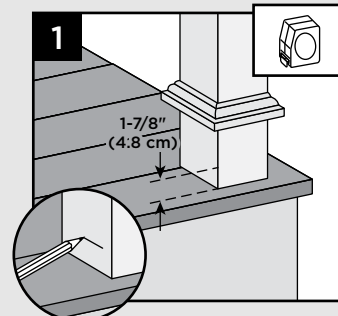


**NOTE:** Upper bracket is not required on crossover post configuration.

## Attach Brackets Using Pressure-Treated Posts and Post Sleeves

**TIP:** Use a clamp to help hold brackets in place while fastening with screws.

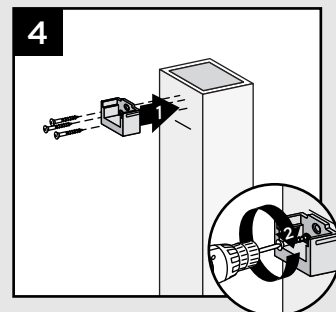
1. Measure 1-7/8" (4.8 cm) up from deck surface to bottom of bracket. Slide skirt up to allow for proper measurement. Mark with light line.



2. Measure up from decking surface 33-15/16" (86.2 cm) for 36" (92 cm) rail height or 39-15/16" (101.4 cm) for 42" (107 cm) rail height. Mark with light line.

**NOTE:** Push skirt back down onto surface of decking **BEFORE ATTACHING BRACKETS.**

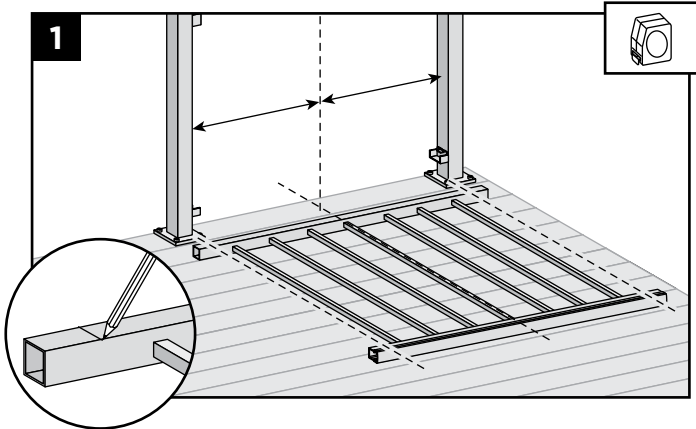
3. Center lower bracket on post **above** the marked line and attach using two 2" (51 mm) wood screws (provided).
4. Center upper bracket on post **above** marked line and attach using three 2" (51 cm) wood screws (provided).



# HOW TO INSTALL PANELS/CONTINUED

## TREX® SIGNATURE™

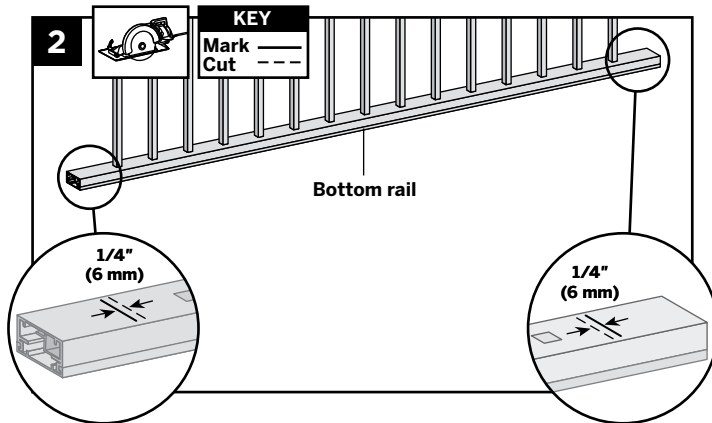
### How to Measure and Cut Bottom and Top Railings of Trex® Signature™ Panel (When REQUIRED)



1. Position panel between posts and align with bottom bracket. Align center baluster with middle of span between posts (this will allow for equal spacing between end balusters and each post). Mark bottom and top rail at each end.

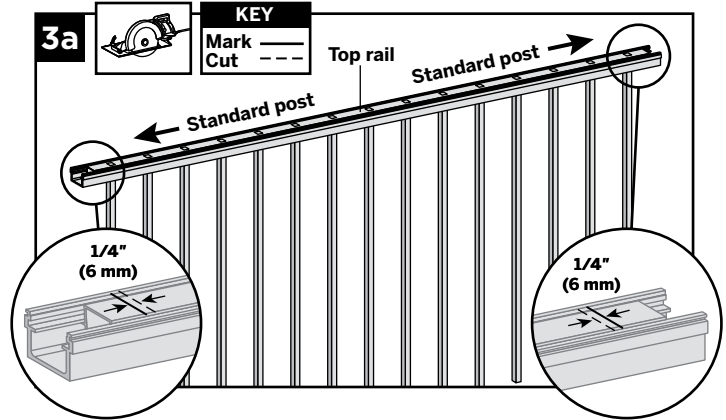
*NOTE: If the end balusters fall too close to the brackets, the center point can be adjusted one baluster to the left or right to allow more room.*

#### Cutting Bottom Rail



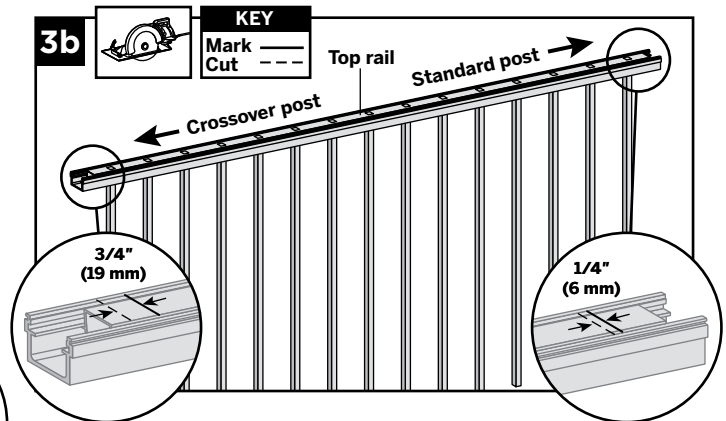
2. Using a saw equipped with a non-ferrous metal blade, cut each end of bottom rail and bottom rail insert  $1/4''$  (6 mm) shorter than mark on each end to allow for fit into bottom rail brackets.

### Cutting Top Rail Option 1: For Post-to-Post Configuration



- 3a. Using a saw equipped with a non-ferrous metal blade, cut each end of top rail  $1/4''$  (6 mm) shorter than mark to allow for fit into top rail brackets.

### Cutting Top Rail Option 2: For Post-to-Crossover Post Configuration



- 3b. Top rail must be cut differently on each side of the rail. Railing side that attaches to standard post should be cut  $1/4''$  (6 mm) shorter than the mark to allow for fit into top rail bracket. Railing side that attaches to the crossover post should be cut  $3/4''$  (19 mm) **LONGER** than the mark to allow for fit into the crossover post bracket.

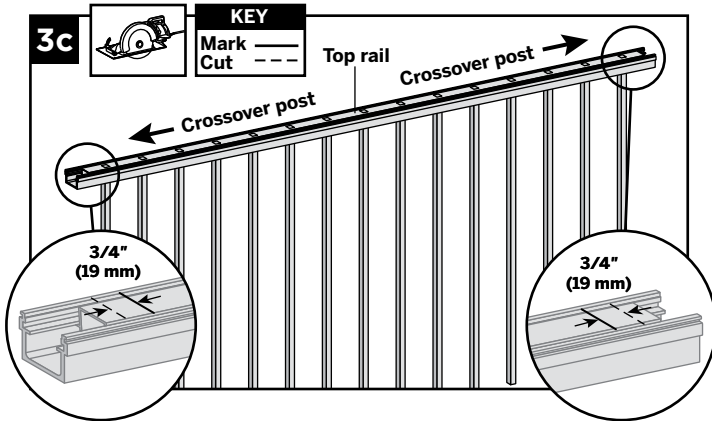
# HOW TO INSTALL PANELS/CONTINUED

## TREX® SIGNATURE™

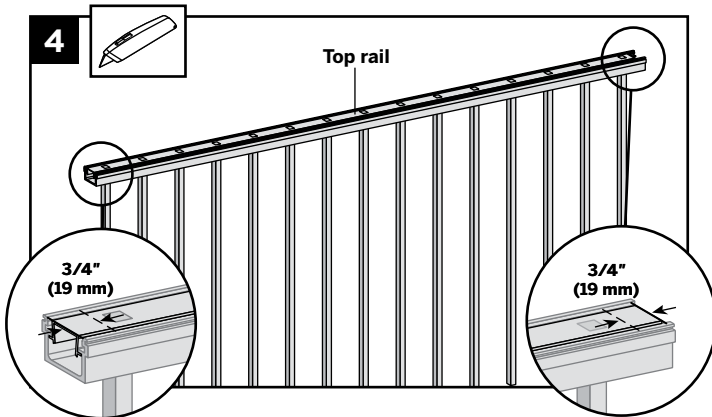
### Cutting Top Rail

#### Option 3:

For Crossover Post-to-Crossover Post Configuration

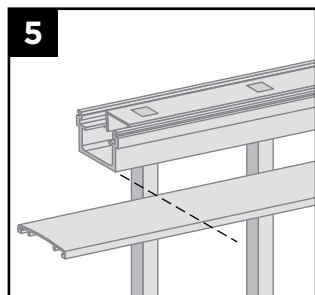


3c. Cut each end of top rail 3/4" (19 mm) **LONGER** than the mark to allow for fit into the crossover post bracket on each side.

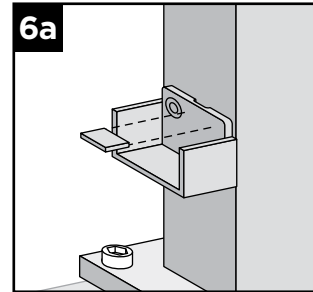


4. Using razor knife or other cutting tool, cut rail insert 3/4" (19 mm) **FROM EACH SIDE**.

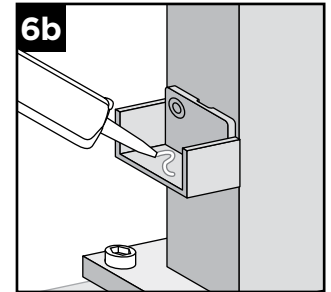
5. Mark and cut top rail cover same length as top rail for all top rail configurations.



### If Installing Trex® Signature™ Panel Using Lower Bracket with Tab



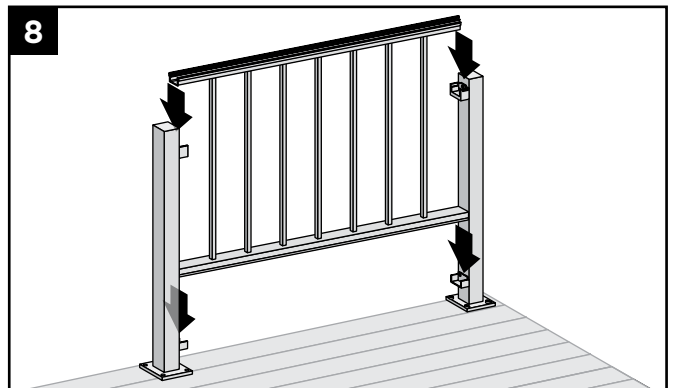
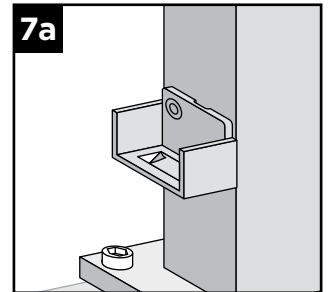
6a. Break or cut the bottom tab off the bottom brackets.



6b. Put a dab of silicone in the basket of the bottom bracket to prevent rattle.

### If Installing Trex® Signature™ Panel Using Lower Rail Tabless Bracket

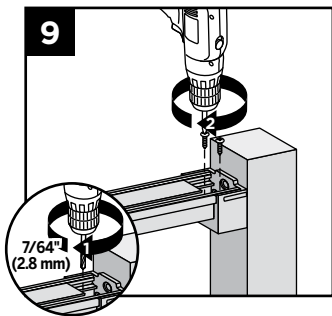
7. Peel backings from adhesive strip provided and place inside the bottom bracket.



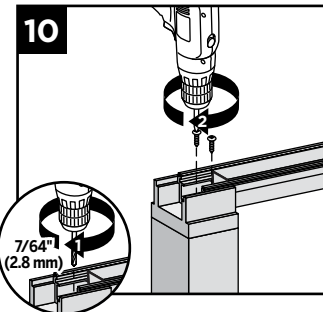
8. Place panel in bottom and top brackets.

## HOW TO INSTALL PANELS/*CONTINUED* TREX® SIGNATURE™

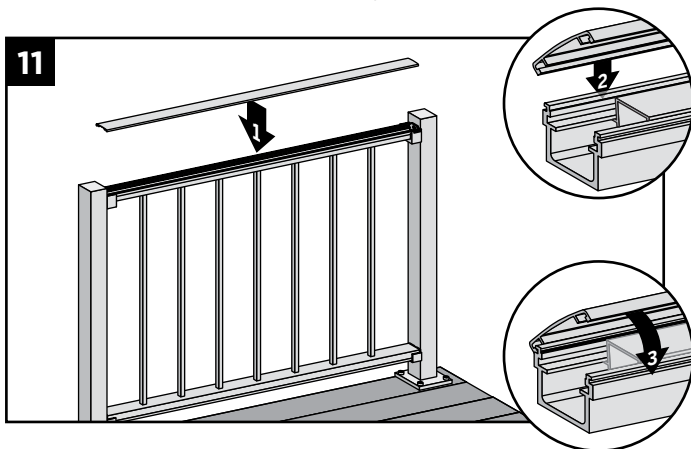
9. For post-to-post configuration, fasten upper rail to each bracket by installing screws diagonally through upper rail into bracket using two self-tapping screws each side (*provided with bracket kit*).



10. For crossover post configuration, fasten upper rail to crossover post by installing screws diagonally through upper rail into post using two self-tapping screws each side (*provided with bracket kit*).



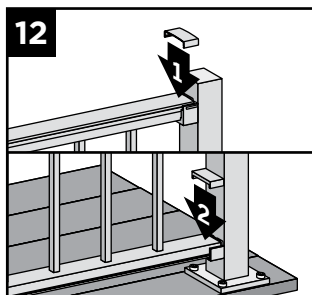
**NOTE:** Pre-drilling is recommended (7/64" [2.8 mm] drill bit) for attachment of railing to bracket.



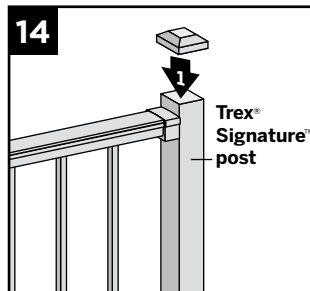
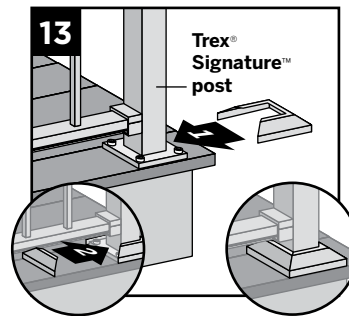
11. Attach upper rail cover to upper rail by aligning cover on one side of rail. Then, starting from one end of rail, snap cover onto opposing slot working down length of rail. **GENTLE** tapping with a **rubber mallet** may facilitate fastening.

### Attachment of Bracket Covers, Skirts, and Caps

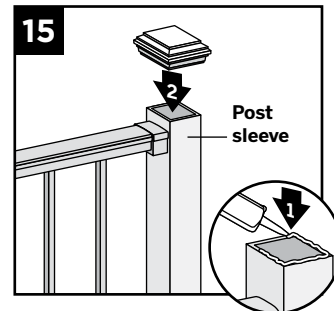
12. Attach corresponding bracket covers over opening in upper and bottom rails.



13. Attach provided post skirt to bottom of posts when using Trex® Signature™ posts.

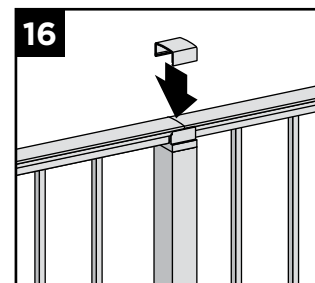


14. Attach post caps to Trex® Signature™ posts (use of **rubber mallet** may be required for secure attachment).



15. Attach post caps to post sleeves using external grade PVC construction adhesive.

16. For crossover post configuration, attach crossover post cap to crossover post.

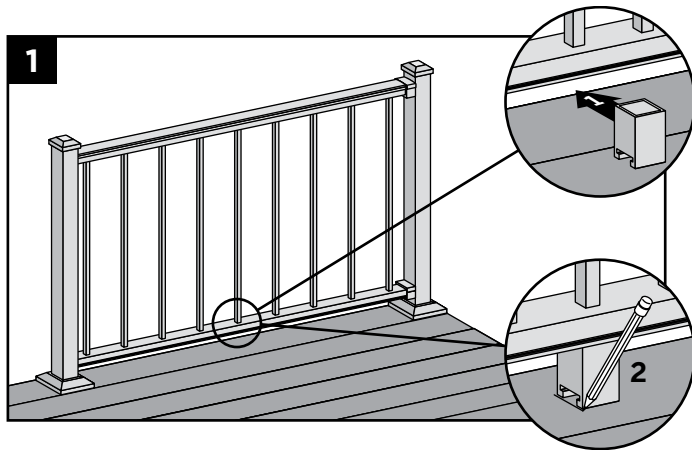


# HOW TO INSTALL FOOT BLOCKS – PANELS

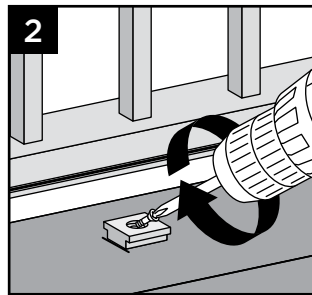
## TREX® SIGNATURE™

Attachment of Foot Block (Required **ONLY** for All Clear Span Applications Over 6' [1.83 m])

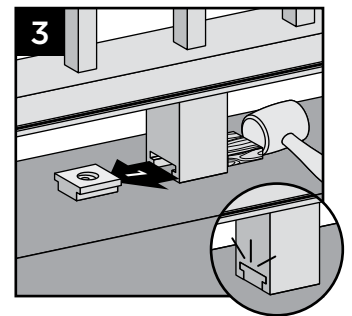
**NOTE:** Pre-drilling is recommended (1/8" [33 mm] drill bit) for attachment of base.



1. To ensure correct location, place foot block under center of bottom rail. Mark to provide placement location of base.
2. Place base (smaller side facing down) on decking surface. Attach base of foot block using one screw at an angle through base and into decking.



3. After attaching, use a rubber mallet along with scrap piece of wood to tap foot block until it locks into place.





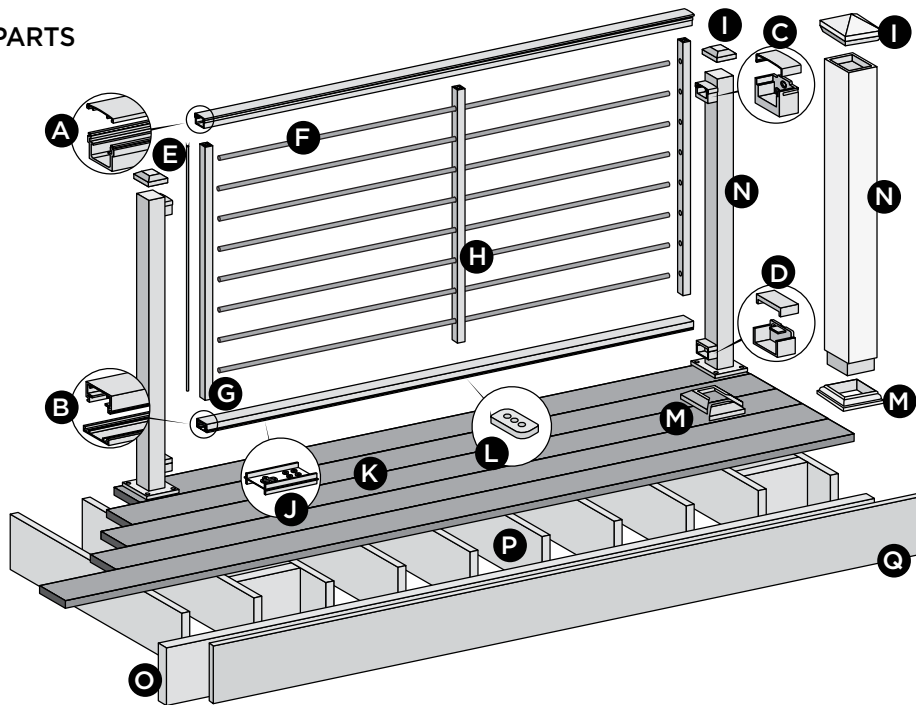
# HOW TO INSTALL HORIZONTAL ROD RAILING

## TREX® SIGNATURE™ STANDARD

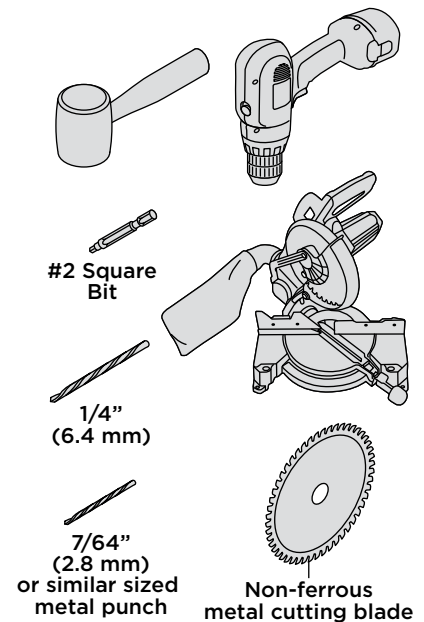
### NOTES:

- » Adjust drill power to lowest setting that will drive screw. **DO NOT OVER TORQUE 316 STAINLESS STEEL STAINLESS FASTENERS.**
- » **NEVER** use impact tools on 316 Stainless Steel Fasteners.
- » Be careful inserting rods through intermediate vertical supports. Lay pieces on a flat, solid surface and insert as straight as possible to prevent scratching.
- » When marking lines on bottom rail, do not make a mark wider than 1" or it will be visible after installation.
- » **TOP AND BOTTOM RAILS ARE DIFFERENT LENGTHS, TO ACCOMMODATE THE INSTALLATION OF CROSSOVER POST APPLICATIONS.**

### PARTS



### TOOLS NEEDED



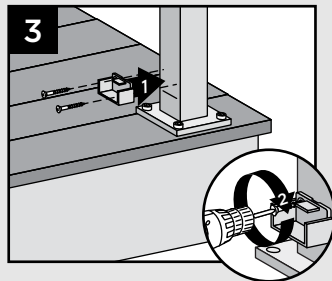
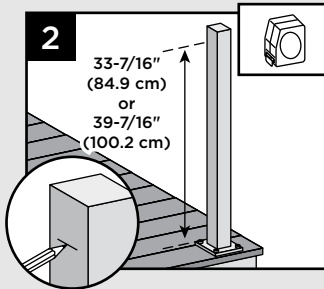
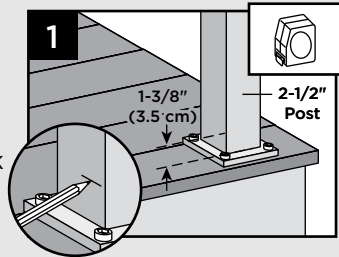
- A. Trex® Signature™ top rail and crowned cover
  - 6' (actual length 73-1/2" [1867 mm])
  - 8' (actual length 97-1/2" [2477 mm])
- B. Trex® Signature™ bottom rail and flat cover
  - 6' Rail (actual length 71-1/2" [181.6 cm])
  - 6' Cover (actual length 70" [177.8 cm])
  - 8' Rail (actual length 95-1/2" [242.6 cm])
  - 8' Cover (actual length 94" [238.8 cm])
- C. Trex® Signature™ upper rail bracket and cover
- D. Trex® Signature™ lower rail bracket and cover
- E. Anti-rattle strip
- F. Rod
- G. End vertical support
- H. Intermediate vertical support\*
- I. Trex® Signature™ post cap or post sleeve cap\*\*
- J. Template
- K. Trex decking
- L. HZ spacer
- M. Trex® Signature™ post skirt or post sleeve skirt\*\*
- N. Trex® Signature™ post\*
  - 36" (actual length 37" [94.0 cm])
  - 42" (actual length 43" [109.2 cm])
  - or Trex 4" x 4" post sleeve\*
    - 36" (actual length 39" [99.1 cm])
    - 42" (actual length 45" [114.3 cm])
- O. Code-approved wood rim joist 2" x 8" (5.1 cm x 20.3 cm) or larger
- P. Code-approved wood joist 2" x 8" (5.1 cm x 20.3 cm) or larger
- Q. Trex Fascia
  - \* 1 for 6' span/2 for 8' span
  - \*\* Item not included in Trex® Signature™ Railing kits. Both 4" x 4" (10.2 cm x 10.2 cm) and 6" x 6" (15.2 cm x 15.2 cm) post sleeves are designed to fit over 4" x 4" pressure-treated post.
  - \*\*\* For 8' Rail Sections only - RODRAILSTIFFENER (included with kit), not shown above
  - \*\*\*\*Foot block (not shown above) required for all spans greater than 6'

# HOW TO INSTALL HORIZONTAL ROD RAILING BRACKETS TREX® SIGNATURE™ STANDARD

## Attach Brackets Using Trex® Signature™ Posts

**TIP:** Use a clamp to help hold brackets in place while fastening with screws.

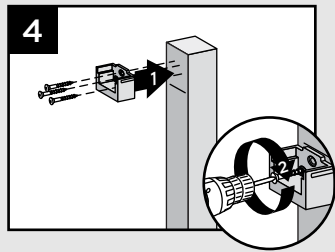
1. Measure 1-3/8" (3.5 cm) from top of post base plate or 1-7/8" (4.8 cm) from decking surface. Mark with light line.



2. Measure up from post base plate 33-7/16" (84.9 cm) for 36" (92 cm) rail height or 39-7/16" (100.2 cm) for 42" (107 cm) rail height. Mark with light line.

**NOTE:** If measuring from decking surface, measure up 33-15/16" (86.2 cm) for 36" (92 cm) rail height or 39-15/16" (101.4 cm) for 42" (107 cm) rail height.

3. Center lower bracket on post **above** the marked line and attach using two self-tapping screws (provided).
4. Center upper bracket on post **above** marked line and attach using (3) self-tapping screws (provided).

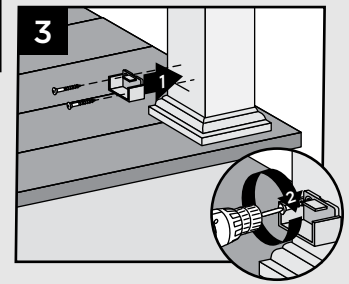
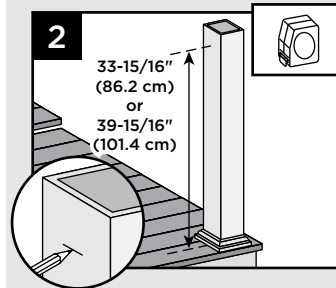
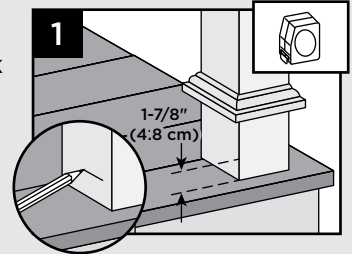


**NOTE:** Upper bracket is not required on crossover post configuration.

## Attach Brackets Using Pressure-Treated Posts and Post Sleeves

**TIP:** Use a clamp to help hold brackets in place while fastening with screws.

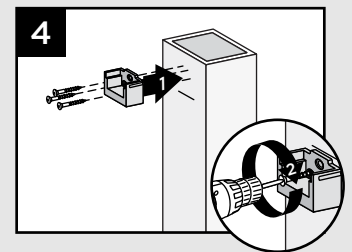
1. Measure 1-7/8" (4.8 cm) up from deck surface to bottom of bracket. Slide skirt up to allow for proper measurement. Mark with light line.



2. Measure up from decking surface 33-15/16" (86.2 cm) for 36" (92 cm) rail height or 39-15/16" (101.4 cm) for 42" (107 cm) rail height. Mark with light line.

**NOTE:** Push skirt back down onto surface of decking **BEFORE ATTACHING BRACKETS.**

3. Center lower bracket on post **above** the marked line and attach using two 2" (51 mm) wood screws (provided).
4. Center upper bracket on post **above** marked line and attach using three 2" (51 mm) wood screws (provided).



# HOW TO INSTALL HORIZONTAL ROD RAILING/ TREX® SIGNATURE™ STANDARD

1. Prepare a solid work surface area (plywood, deck surface, etc.).

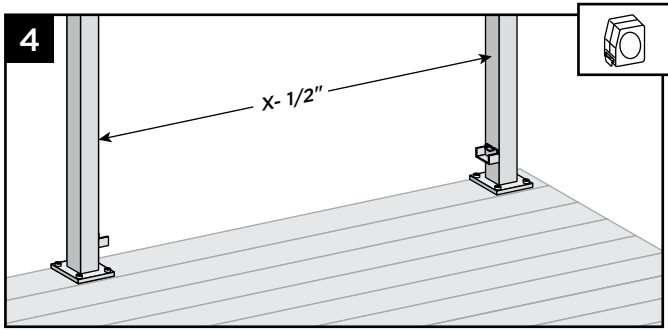
## How to Measure Bottom and Top Railings (When Required)

2. For Full Span Post to Post Applications - only top rail will need to be cut.

3. For Full Span Crossover to Crossover post Applications - no rails have to be cut, HOWEVER the location of the HZ Template on the top rail will need to be adjusted in 3/4" on each side of top rail to allow for proper placement of vertical supports.

# HOW TO INSTALL HORIZONTAL ROD RAILING/CONTINUED

## TREX® SIGNATURE™ STANDARD

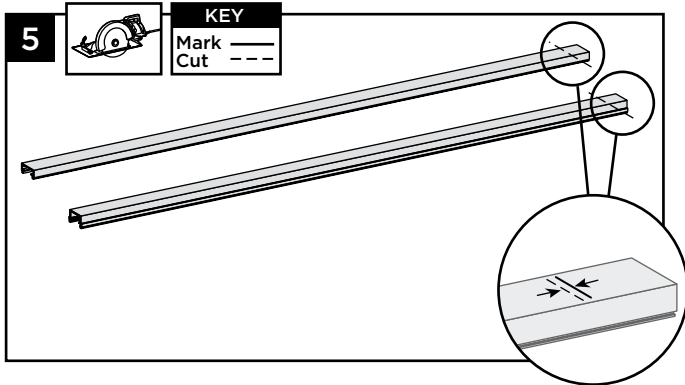


4. Measure distance between posts (X), and subtract 1/2" for bracket clearance.

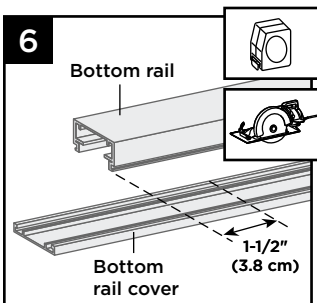
If installing crossover post configurations adjust top rail length:  $X + 3/4"$  if using one crossover post, or  $X + 1-1/2"$  if using two crossover posts.

If using swivel brackets, measure distance between brackets and cut railings to this distance.

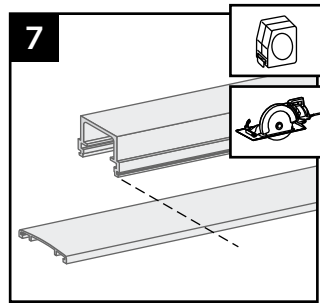
### Cutting Railings and Covers



5. Cut both bottom and top rail to length as determined above.

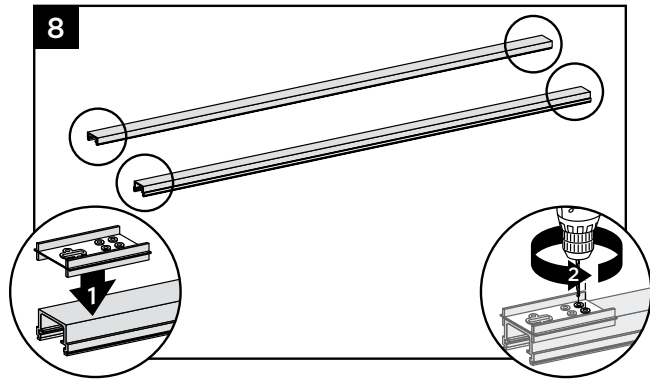


6. Mark and cut bottom rail cover 1-1/2" (3.8 cm) shorter than bottom rail.



7. Mark and cut top rail cover same length as top rail for all top rail configurations.

### Locating Vertical Holes on Bottom and Top Rails

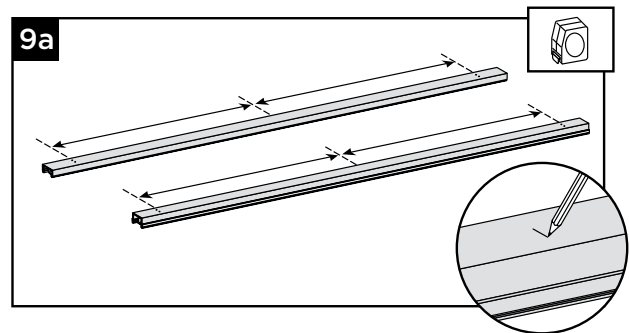


8. Place HZ template at end of top and bottom rails. Pre-drill pilot holes (using a 7/64" bit or small punch) at locations.

### NOTES:

- » Template is labeled for the type of bracket used.
- » Pilot holes will be drilled out larger in a later step.
- » For Compound Swivel Brackets, set the rail in the bracket and mark 3.75" from the post.

### 6' Rail Spans or Shorter



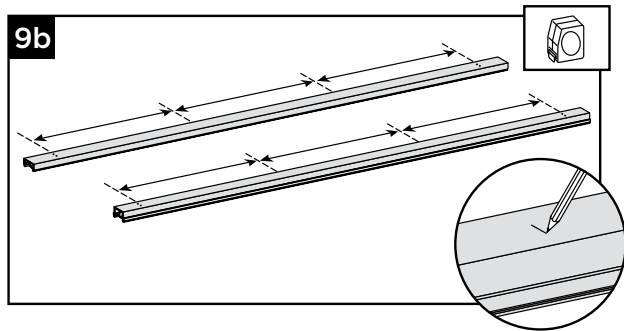
9a. Measure the distance between the vertical end holes on **both top and bottom rails**. Mark the center.

**IMPORTANT NOTE: DO NOT** mark the line across the entire width of the bottom rail, as it will be visible after install. Maximum recommended line width is 1".

# HOW TO INSTALL HORIZONTAL ROD RAILING/CONTINUED

## TREX® SIGNATURE™ STANDARD

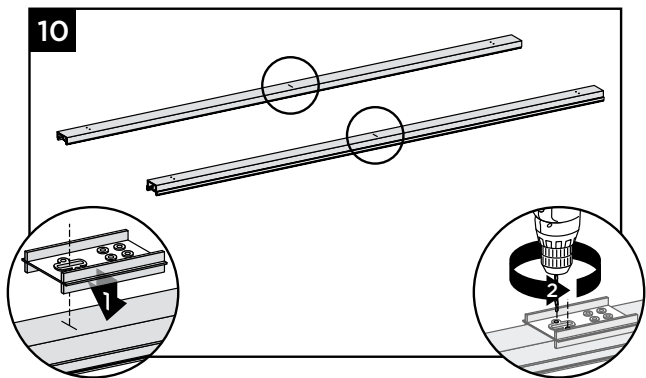
### Over 6' Rail Spans



9b. Measure the distance between the vertical end holes on **both top and bottom rails**. Divide the distance into thirds and make two marks on top and bottom rails.

**NOTE:** Maximum unsupported rod span is 32.25".

### Locating and Drilling Midspan Holes

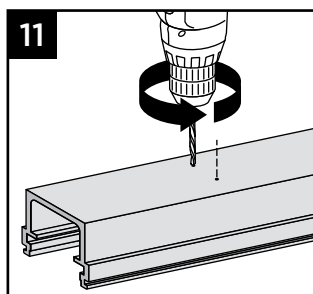


10. Using the slot on the HZ template, locate marked line and drill two 7/64" pilot holes (or mark with a punch).

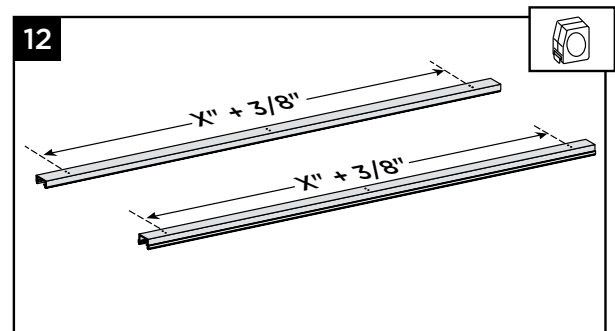
**NOTE:** Pilot holes will be drilled out larger in next step.

11. Using pilot holes (or marks), drill 1/4" holes for all vertical supports in both top and bottom rails.

**NOTE:** Clean any burrs from edges of holes to ensure good fit on both sides.

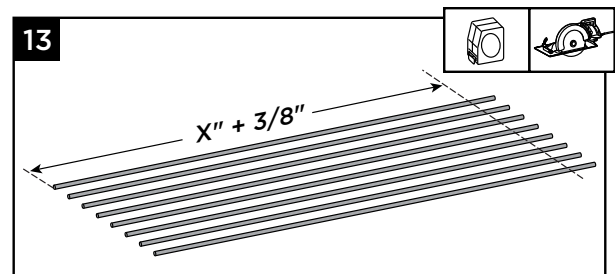


### Cutting Rods to Length (When Required)



12. Measure the distance between the end (outer) holes (X") on top or bottom rail and add 3/8" to this measurement.

**NOTE:** If installed at exact spans, rods do not have to be cut.

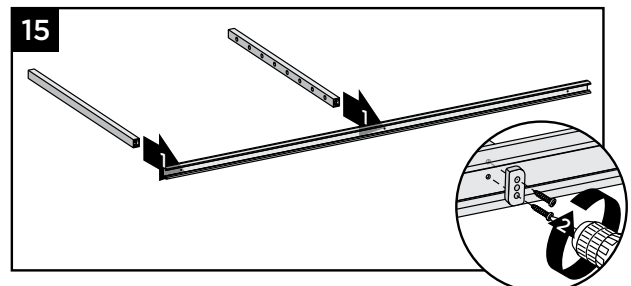
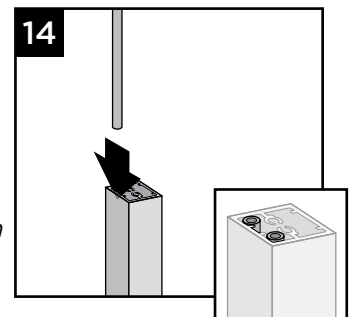


13. Cut rods to the length measured in previous step.

### Vertical and Rod Assembly

14. Insert anti-rattle strips into the vertical supports.

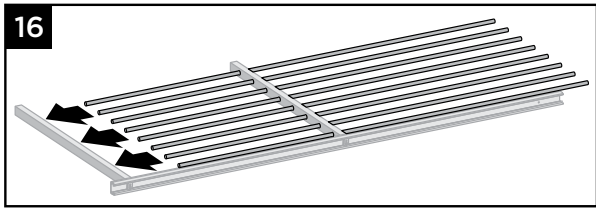
**NOTE:** There are two anti-rattle strips for each support which can only be inserted in one side.



15. Attach **one** end vertical and **all** intermediate verticals to bottom rail using HZ spacer and screws provided.

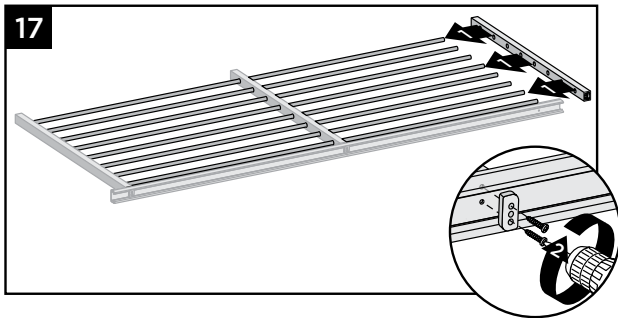
# HOW TO INSTALL HORIZONTAL ROD RAILING/CONTINUED

## TREX® SIGNATURE™ STANDARD



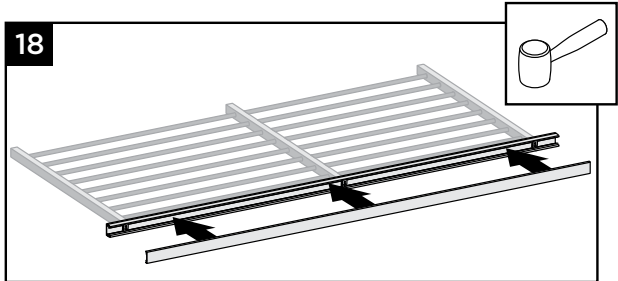
16. Slide all rods through intermediate supports and into end vertical support.

**NOTE:** When inserting rods through intermediate supports, keep rods straight to avoid scratching.

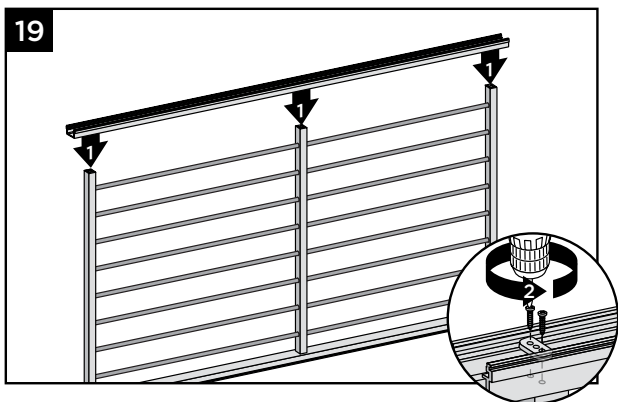


17. Slide end vertical onto rods and attach to bottom rail using HZ spacer and screws provided.

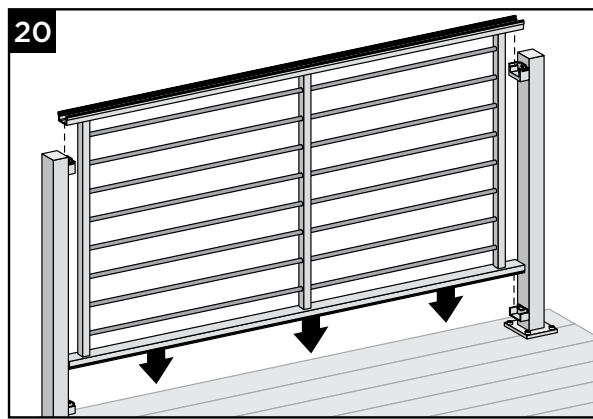
### Installing Top and Bottom Rails



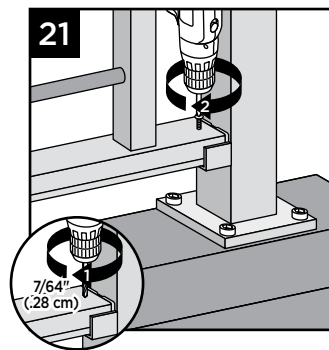
18. Using a mallet, install bottom rail cover onto bottom rail.



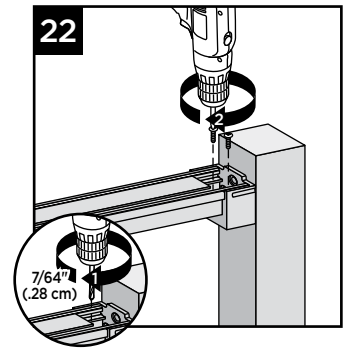
19. Install top rail to all vertical and end supports using HZ spacer and screws provided.



20. Drop assembled rod rail panel into brackets.



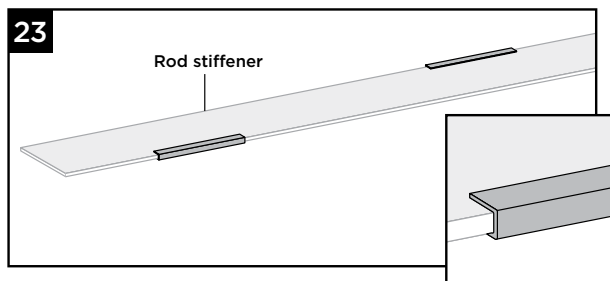
21. Attach bottom rail to bottom brackets by using one self-tapping screw (*provided*) for each bracket.



22. Attach top rail to top brackets by using two self-tapping screws (*provided*) for each bracket.

**NOTE:** Pre-drilling is required (7/64" [0.28 cm] drill bit) for attachment of railing to bracket.

### Inserting Rod Rail Stiffener - For Rail Sections over 6'

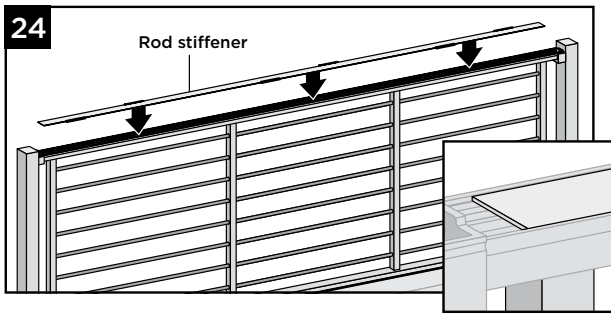


23. Attach tape (qty 6 provided) to alternating sides of the rod stiffener as shown.

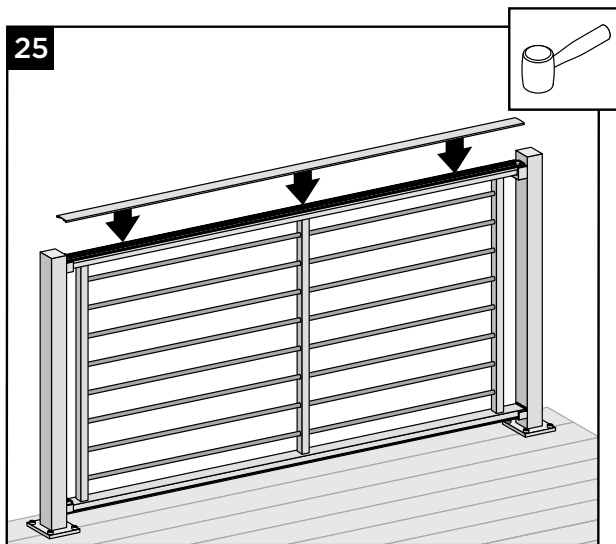


# HOW TO INSTALL HORIZONTAL ROD RAILING/CONTINUED

## TREX® SIGNATURE™ STANDARD

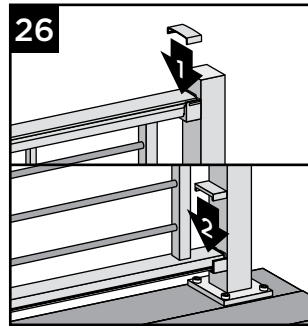


24. Place rod stiffener inside rail channel.

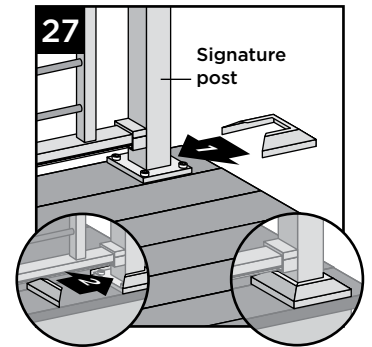


25. Using a mallet, install top rail cover.

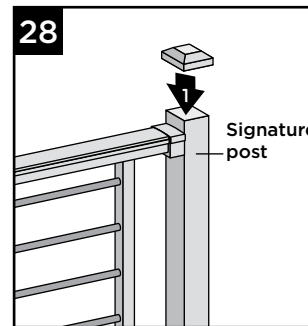
### Attachment of Bracket Covers, Skirts, and Caps



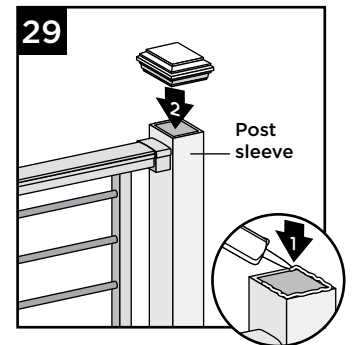
26. Attach corresponding bracket covers over opening in top and bottom rails.



27. Attach provided post skirt to bottom of posts when using Trex® Signature™ posts.



28. Attach post caps to Trex® Signature™ posts. (Use of **rubber mallet** may be required for secure attachment.)

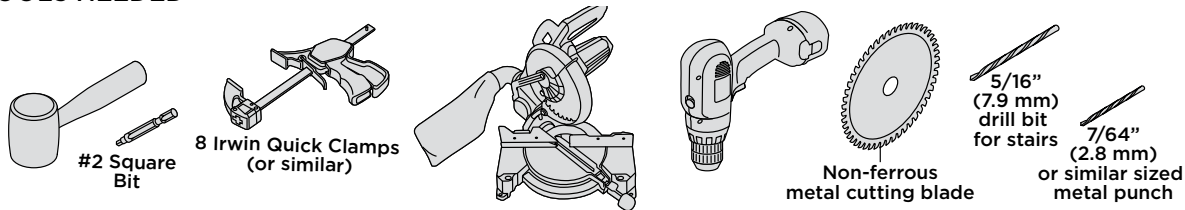


29. Attach post caps to post sleeves using external grade PVC construction adhesive.

# HOW TO INSTALL TREX® SIGNATURE™ STAIR POSTS AND HORIZONTAL ROD RAILING STAIRS

## TREX® SIGNATURE™ STANDARD

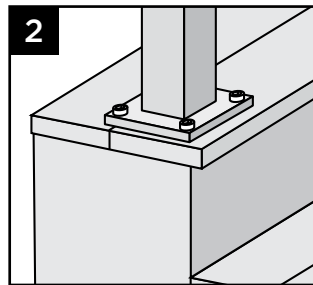
### TOOLS NEEDED



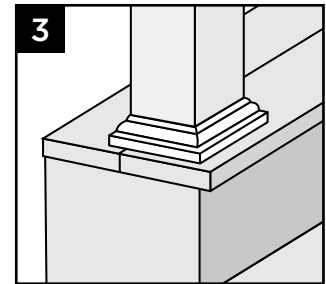
## INSTALLING STANDARD STAIR POSTS, OR PRESSURE-TREATED POST, POST SLEEVES AND SKIRTS TREX® SIGNATURE™ STANDARD

1. Make sure 53" (135.6 cm) posts are used for all stair posts.

2. If Trex® Signature™ stair posts are used, install at nose of stair tread directly under required blocking. Refer to Trex® Signature™ Instructions for detailed post installation.



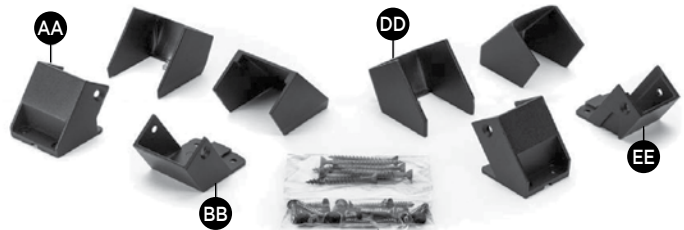
3. If pressure-treated post/post sleeves are used, posts are to be installed to the inside of the last stair stringer. (Rails must be over decking surface.) Refer to Trex® Signature™ Instructions for detailed post installation.



## BRACKET HARDWARE - STAIR APPLICATIONS

### TREX® SIGNATURE™ STANDARD

- AA. Bottom Stair Bracket and Cover - Lower Rail
- BB. Top Stair Bracket and Cover - Lower Rail
- CC. Fastener Pack
- DD. Bottom Stair Bracket and Cover - Upper Rail
- EE. Top Stair Bracket and Cover - Upper Rail

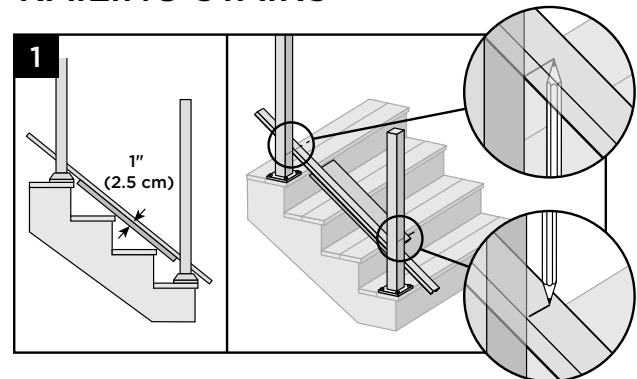


## HOW TO INSTALL HORIZONTAL ROD RAILING STAIRS

### TREX® SIGNATURE™ STANDARD

#### NOTES:

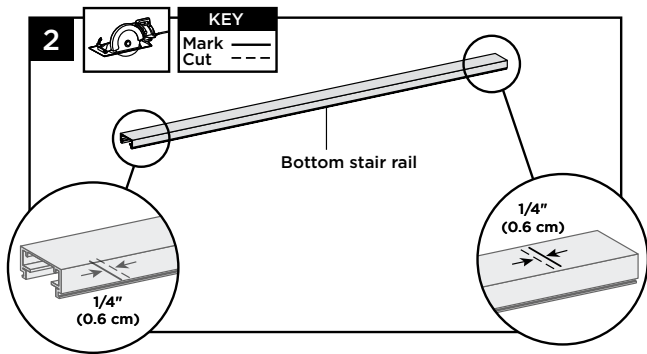
- » All Trex® Signature™ fixed stair brackets ONLY work with stair slopes of 32°-37°.
- » Illustrations shown are representations when using Trex® Signature™ post, but same rules apply if using pressure-treated posts and post sleeves.



1. Place a 1" deckboard on the nose of the stair tread, then lay the bottom stair rail on top of the deckboard. Use the lower and upper stair post to set the size of the lower stair rail. On **UPPER STAIR POST**, mark from underside of bottom rail. On **LOWER STAIR POST**, mark from top side of bottom rail.

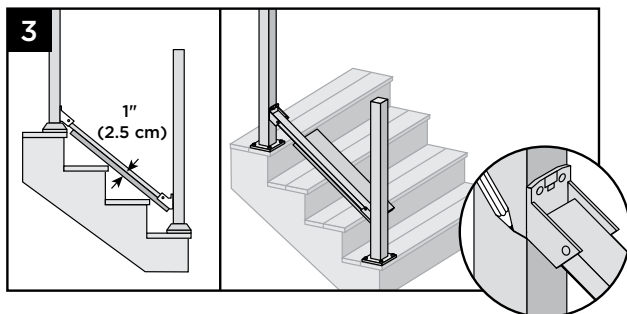
# HOW TO INSTALL HORIZONTAL ROD RAILING STAIRS/CONTINUED

## TREX® SIGNATURE™ STANDARD



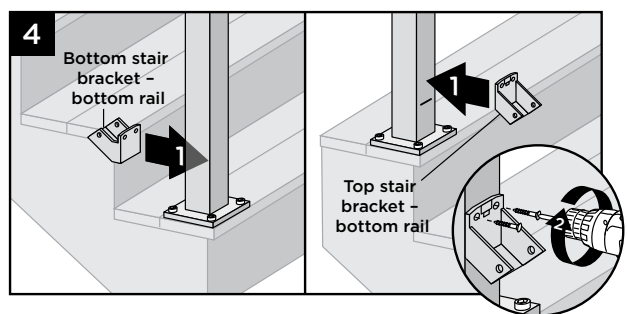
2. Cut each end of the bottom stair rail and bottom rail cover 1/4" (0.6 cm) shorter than the mark on each end to allow for fit into bottom stair rail brackets.

**NOTE:** Railing does not need to be cut at angle. Brackets are designed to allow for railing to be installed with standard straight cut.



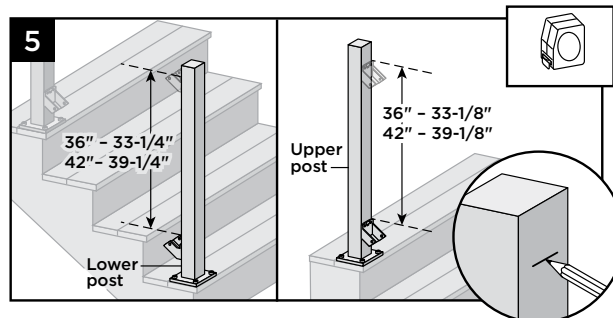
3. With deckboard still on nose of stair tread, place brackets on end of bottom stair rail (DO NOT attach brackets to rail) and mark posts for bracket locations.

### Installing Lower Stair Brackets

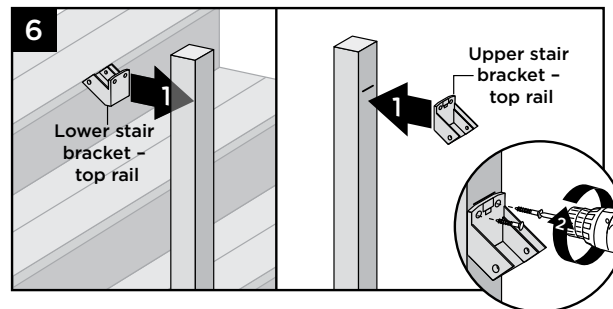


4. Center lower stair bracket on post above the marked line and attach using two self-tapping screws (provided). In some cases it may be difficult to attach the stair bracket on the lower stair post. Recommend using a 90° drill adapter or loosen the post to get access to the lower bracket screw holes.

### Installing Upper Stair Brackets

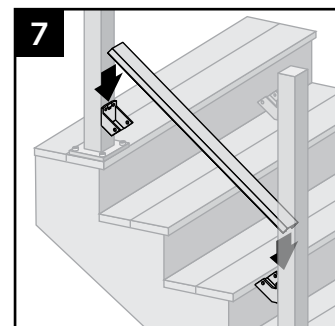


5. **On Lower Post** - From top of lower bracket, measure up and mark with light line (33-1/4" for 36" rail; 39-1/4" for 42" rail).  
**On Upper Post** - From top of lower (upper) bracket, measure up and mark with light line (33-1/8" for 36" rail; 39-1/8" for 42" rail).



6. Center upper stair brackets on posts **below** the marked lines and attach using two self-tapping screws (provided).

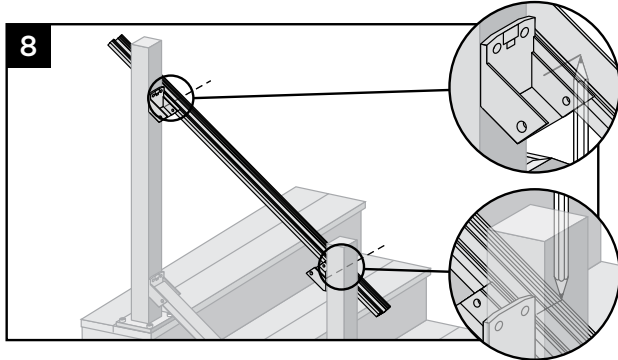
7. Set bottom stair rail into bottom stair rail brackets.



# HOW TO INSTALL HORIZONTAL ROD RAILING STAIRS/CONTINUED

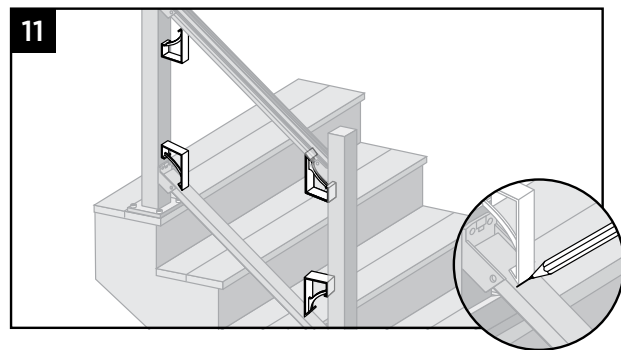
## TREX® SIGNATURE™ STANDARD

### How to Mark, Cut and Place Top Stair Railing



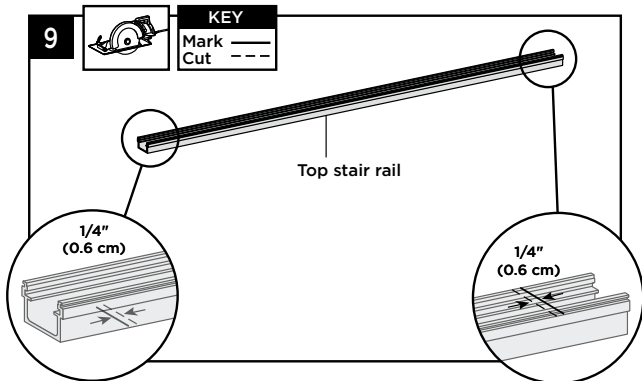
8. Position top rail to side of post. Mark top stair rail at each location stated. On **UPPER STAIR POST**, mark from underside of bottom rail. On **LOWER STAIR POST**, mark from topline of bottom rail.

### Measuring and Cutting Rods



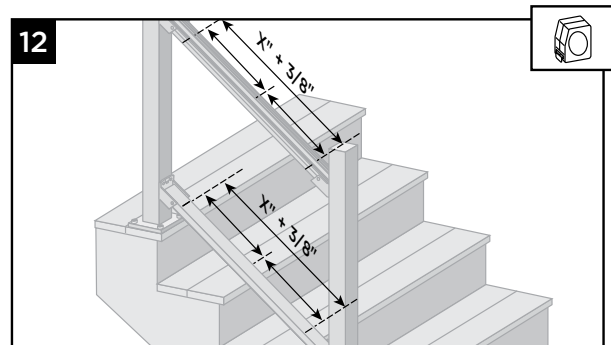
11. Using the long edge of the stair template, mark the location of the end verticals on the upper and lower rails.

**NOTE:** Mark should only be 1" max length or it will be visible after installation of verticals.



9. Cut each end of top stair rail and top rail cover  $\frac{1}{4}$ " (0.6 cm) shorter than mark to allow for fit into top stair rail bracket.

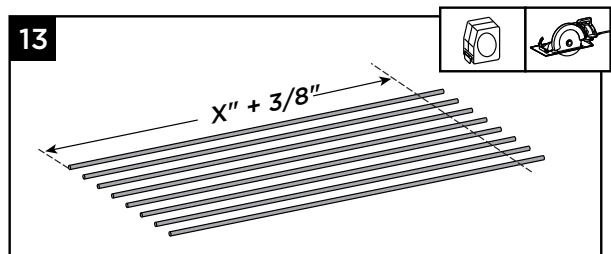
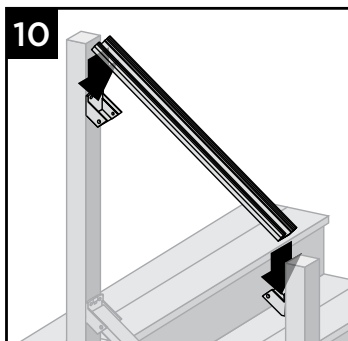
**NOTE:** Railing does not need to be cut at angle. Brackets are designed to allow for railing to be installed with standard straight cut.



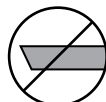
12. Measure and mark the mid-line (6' sections) of the two end marks of the top and bottom rail. Take that measurement and add  $\frac{3}{8}$ " for rod length in next step.

**NOTE:** For 8' sections divide the distance into thirds and make two marks for the two verticals.

10. Set top stair rail into top stair rail brackets.



13. Cut rods to the length measured in previous step.

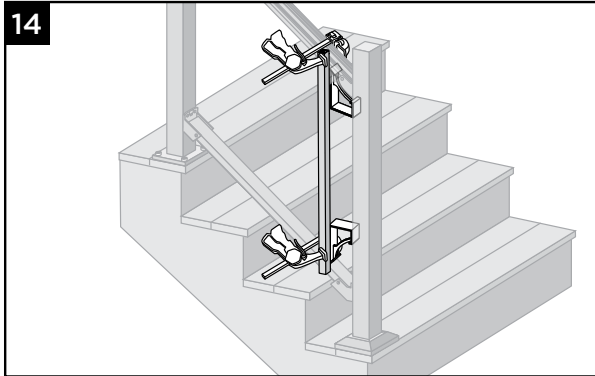


**IMPORTANT: DO NOT CUT RODS AT RAIL ANGLE; MAKE 90° CUTS ONLY!**

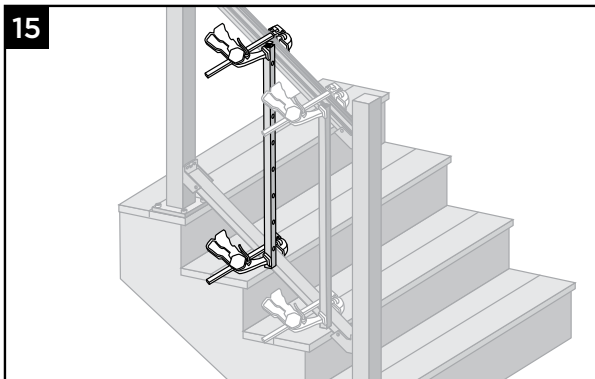
# HOW TO INSTALL HORIZONTAL ROD RAILING STAIRS/CONTINUED

## TREX<sup>®</sup> SIGNATURE<sup>™</sup> STANDARD

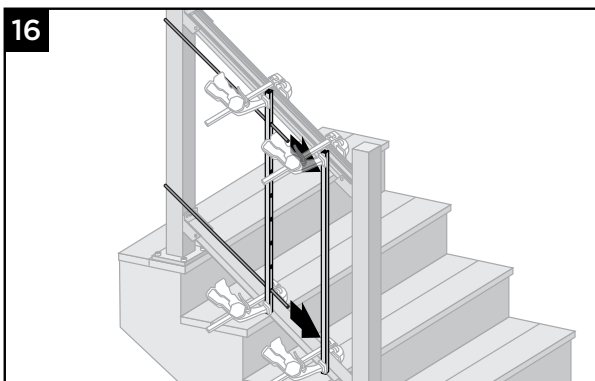
### Measuring and Cutting Verticals



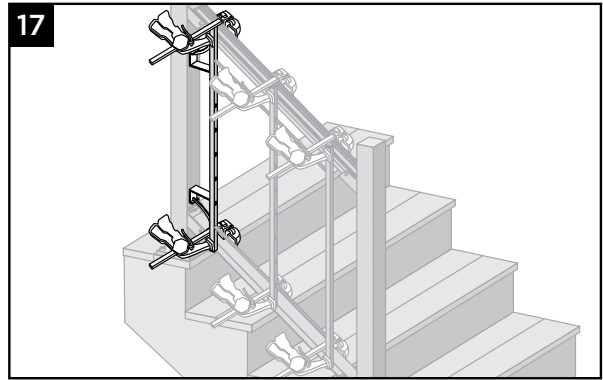
14. Clamp first vertical (lower part of stairs) in place, using width of stair template to position.



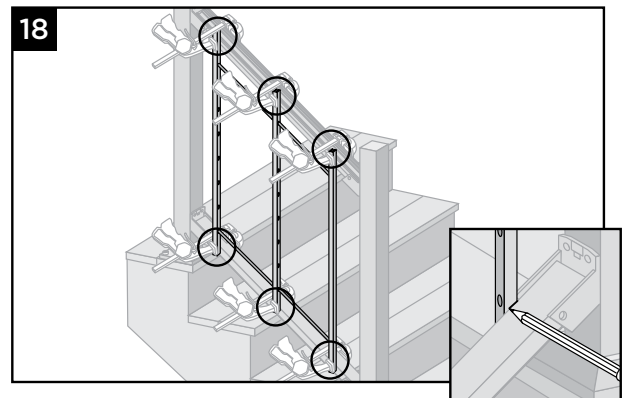
15. Clamp middle vertical(s) in place.



16. Slide a rod into top and bottom of all verticals. Ensure that distance of top rod to top rail and bottom rod to bottom rail are equal.

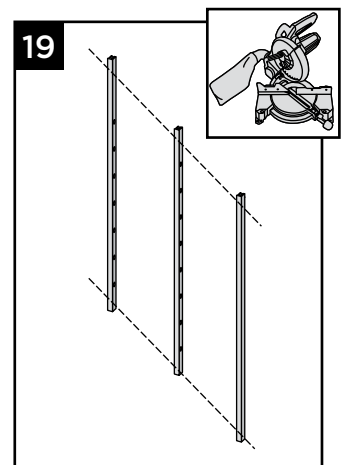


17. Clamp top vertical (upper part of stairs) in place, using width of stair template to position.



18. Mark angle cuts at top and bottom on all verticals.

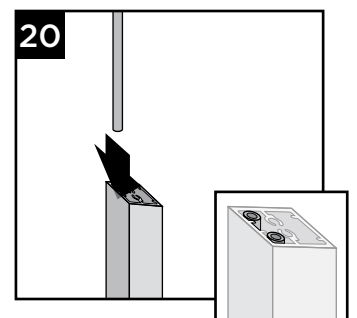
19. After removing rods and verticals, make angle cuts on top and bottom of verticals following marks from previous step.



### Vertical and Rod Assembly

20. Insert anti-rattle strips into the vertical supports.

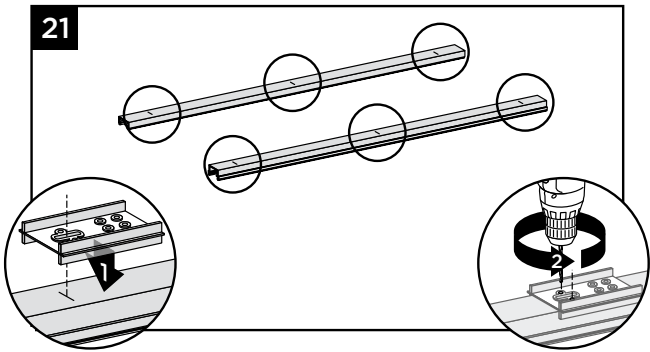
**NOTE:** There are two anti-rattle strips for each support which can only be inserted in one side.





# HOW TO INSTALL HORIZONTAL ROD RAILING STAIRS/CONTINUED

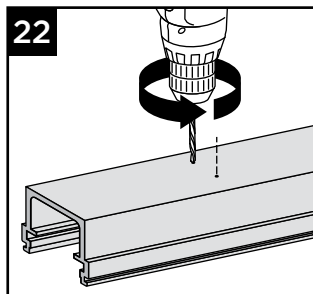
## TREX<sup>®</sup> SIGNATURE<sup>™</sup> STANDARD



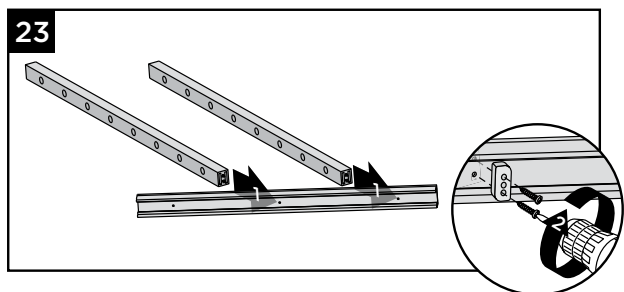
21. Using the slot on the HZ template, locate marked line and drill two 7/64" pilot holes at each mark (or mark with a punch).

**NOTE:** Pilot holes will be drilled out larger in next step.

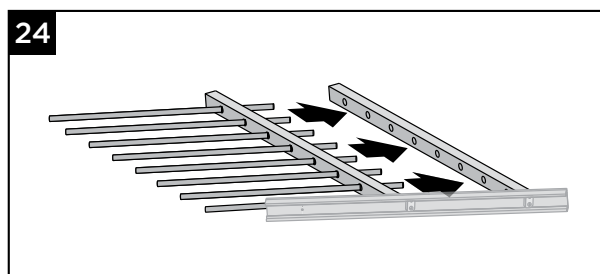
22. Using pilot holes (or marks), drill 5/16" holes for all vertical supports in both top and bottom rails.



### Installing Top and Bottom Rails

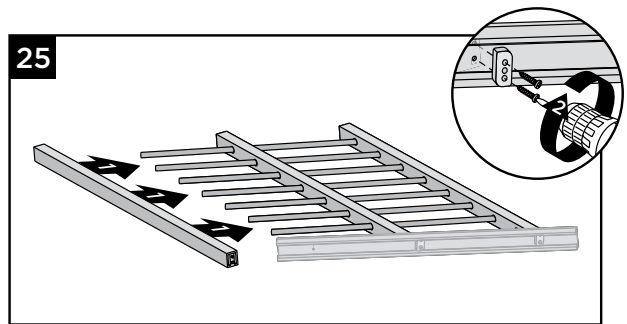


23. Install lowest end vertical and all intermediate verticals to bottom rail using ST Wedge Spacer and screws provided.

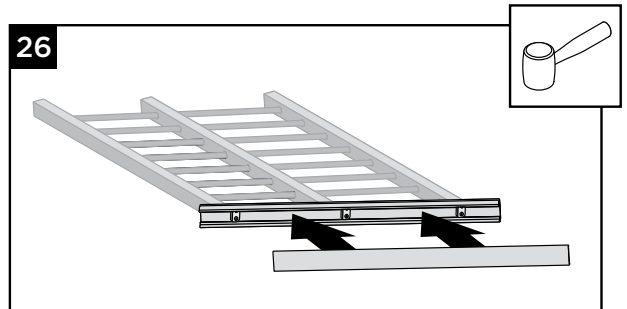


24. Slide rods into lower end and all intermediate verticals.

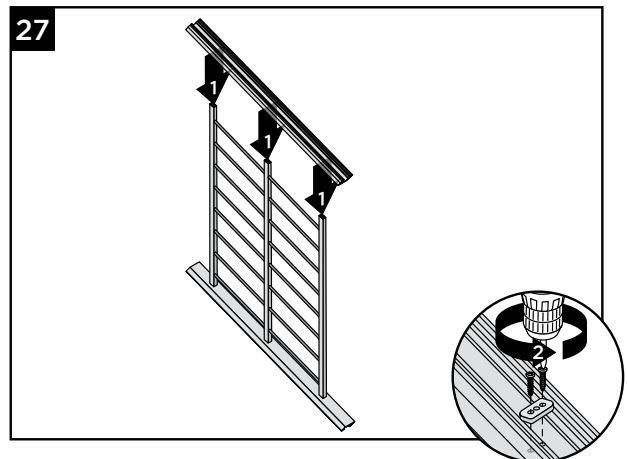
**NOTE:** When inserting rods into intermediate supports, keep rods straight to avoid scratching.



25. Slide upper end vertical onto rods and attach to bottom rail using ST Wedge Spacer and screws provided.



26. Using a mallet, install bottom rail cover onto bottom rail.

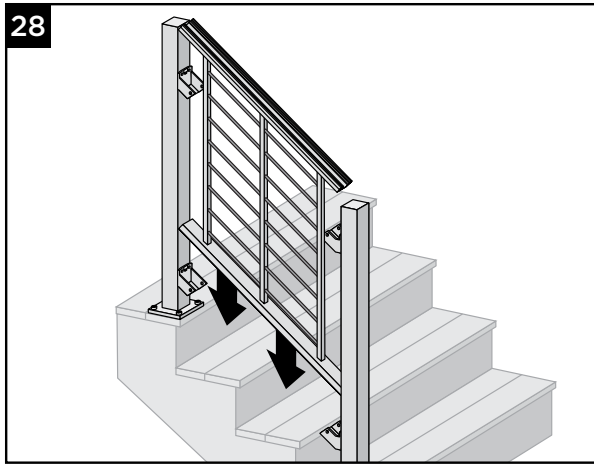


27. Install top rail to all vertical and end supports using ST Wedge Spacer and screws provided.

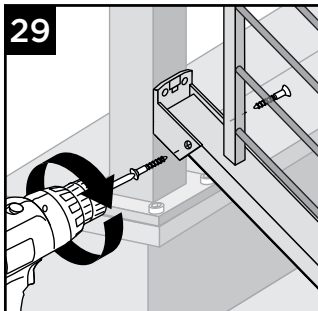
# HOW TO INSTALL HORIZONTAL ROD RAILING STAIRS/*CONTINUED*

## TREX® SIGNATURE™ STANDARD

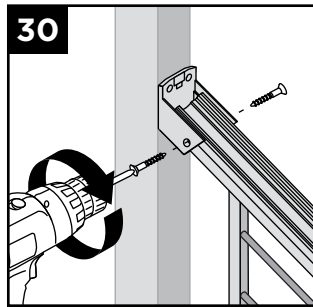
### Final Installation



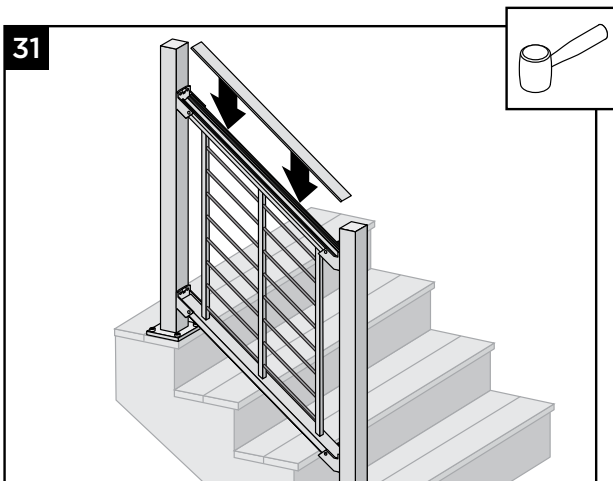
28. Drop assembled stair rod rail panel into brackets.



29. Attach bottom stair rail to bottom stair bracket using two self-tapping screws (*provided*) on each side of bracket.

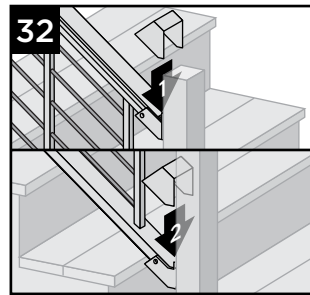


30. Attach top stair rail to top stair bracket (all types) using two self-tapping screws (*provided*) on each side of stair bracket.

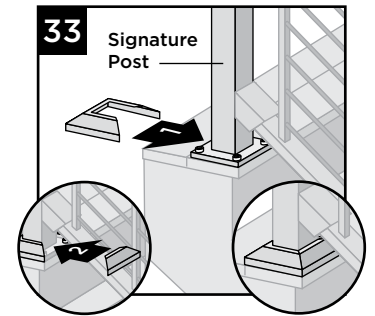


31. Using a mallet, install top rail cover.

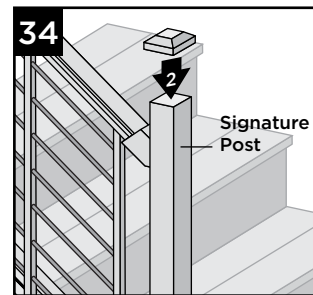
### Attachment of Bracket Covers, Skirts, and Caps



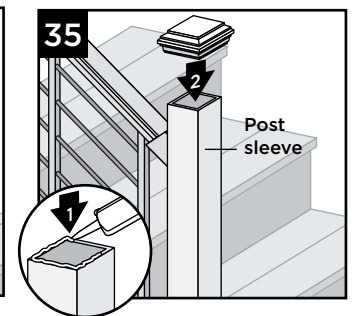
32. Attach corresponding bracket covers over opening in upper and bottom rails.



33. Attach provided post skirt to bottom of posts when using Trex® Signature™ posts.



34. Attach post caps to Trex® Signature™ posts. (Use of **rubber mallet** may be required for secure attachment.)



35. Attach post caps to post sleeves using external grade PVC construction adhesive.



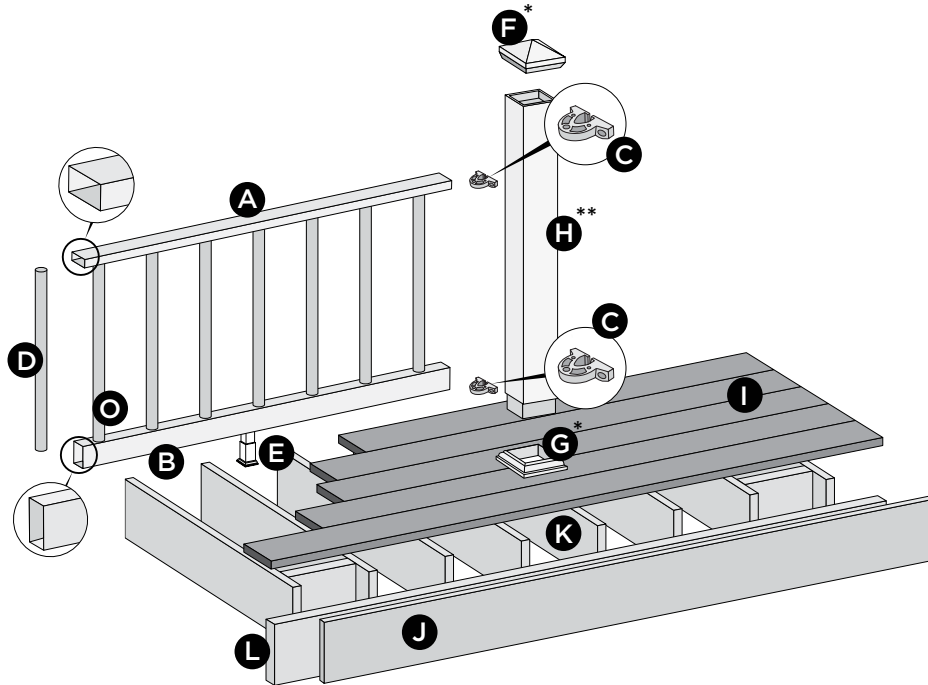
# TREX SELECT RAILING

## NOTES:

» All Trex Select Railing lengths are manufactured at ON CENTER dimensions (spanning from center of each post): 67-5/8" (176.8 cm) for 6' (1.83 m) on center, and 92-5/8" (235.3 cm) for 8' (2.44 m) on center. Note that railings are designed to be slightly longer than required to allow for very slight play in post placement – trimming may be required. IT IS VERY IMPORTANT TO MEASURE FIRST.

» SEE PAGE 61 FOR SKU NUMBERS.

## PARTS



- A. Select top rail
- B. Select bottom rail
- C. Brackets
- D. Balusters
- E. Adjustable foot block
- F. Post sleeve cap\*
- G. Post sleeve skirt\*
- H. Post sleeve – 4" x 4" (102 mm x 102 mm) or 6" x 6" (152 mm x 152 mm) post sleeve\*\*
- I. Trex decking
- J. Trex fascia
- K. Code-approved wood joist – 2" x 8" (51 mm x 203 mm)
- L. Code-approved wood rim joist – 2" x 8" (51 mm x 203 mm) or larger

\* Item not included in the Select railing kits.

\*\* Both 4" x 4" (102 mm x 102 mm) and 6" x 6" (152 mm x 152 mm) post sleeves are designed to fit over 4x4 pressure-treated post.

**NOTE:** If installing 42" (1067 mm) railing, use longer post sleeves and measure accordingly to ensure a proper cut (**DO NOT CUT POST SLEEVES TO ACTUAL 42" – THESE NEED TO BE LONGER TO ALLOW FOR POST CAPS TO FIT**).

**NOTE:** Pictorial representations shown may only show one style of railing, while others may also be used. Review detailed instructions to determine what railing styles and combinations can be used.

### DETERMINING BALUSTERS NEEDED

| Baluster Type                                    | Per 6' OC Section | Per 8' OC Section |
|--|-------------------|-------------------|
| Round Aluminum Baluster (Horizontal Application) | 14                | 20                |
| Round Aluminum Baluster (Stair Application)      | 12                | 16                |

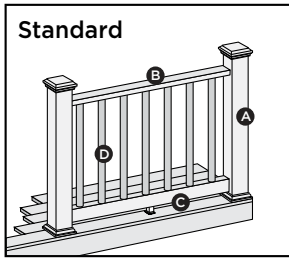
### CODE APPROVED APPLICATIONS

|                      | 6' Railing                                | 8' Railing                                |
|----------------------|---|---|
| < 30" height decking | Acceptable (Code approval not applicable) | Acceptable (Code approval not applicable) |
| IRC Compliant        | Yes                                       | No  |
| IBC Compliant        | No  | No  |

**NOTE:** If using 8' railings, the Trex Select® 8' Aluminum Rail Stiffener (sku SELALRAILSTIFFENER) can also be used to allow for the rail to be stronger if required.

# TREX SELECT RAILING

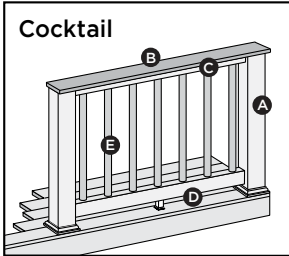
## RAILING CONFIGURATIONS



Cutting post sleeves is **NOT** required.

- A. Pressure-treated post or Trex post mounts\* with Trex Transcend post sleeves, or Trex joist mount posts\*
- B. Select top rail
- C. Select bottom rail
- D. Select balusters

See page 144 for "How to Install Standard Railing".

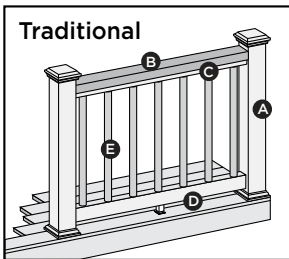


Post sleeves **WILL NEED TO BE CUT**.

- A. Pressure-treated post with Trex Transcend post sleeve  
**NOTE:** » Only for use with 4" x 4" (102 mm x 102 mm) post sleeve.  
 » Trex post mounts or joist mount posts cannot be Select cocktail design.
- B. Deck board top rail.  
**NOTES:** » Enhance (scalloped profile) and Escapes cannot be used  
 » Deck boards will need to be cut to fit each rail span
- C. Select top rail
- D. Select bottom rail
- E. Select balusters

See page 147 for "How to Install Select Cocktail Railing".

**POST SLEEVES WILL NEED TO BE CUT**



Cutting post sleeves is **NOT** required.

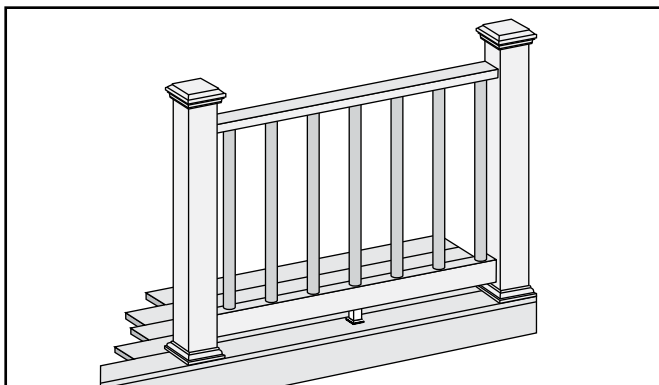
- A. Pressure-treated post or Trex post mounts\* with Trex Transcend post sleeves, or Trex joist mount posts\*
- B. 2" x 4" (51 mm x 102 mm) lateral top rail
- C. Select top rail
- D. Select bottom rail
- E. Select balusters

See page 148 for "How to Install Traditional Railing".

\*See specific installation instructions for attachment of Trex post mounts or Trex Joist Mount Posts prior to installing any railing.

## HOW TO INSTALL TREX SELECT STANDARD RAILING

### TREX SELECT



Read all instructions **BEFORE** installation.

**Important:** Post sleeves are **NOT** to be cut for this design style.



# HOW TO INSTALL TREX SELECT RAILING/CONTINUED

## TREX SELECT

### Installing Pressure-Treated Posts

» *Select Railing Kits are designed for posts to be installed at maximum of 6' or 8' (1.83 m or 2.44 m) ON CENTER depending on the length being used.*

**NOTE:** *Smaller spans are allowed.*

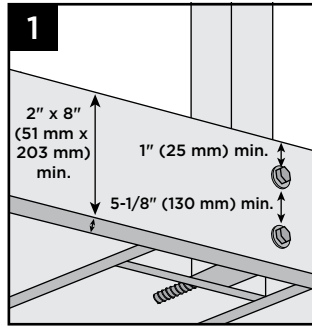
» *Attach posts using 1/2" (13 mm) carriage bolts.*

» *Minimum joist size is 2" x 8" (51 mm x 203 mm).*

» *Top bolts must be 1" (25 mm) from tops of joists.*

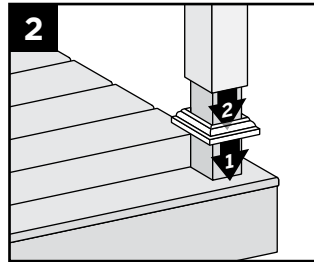
» *Bottom bolts must be 5-1/8" (130 mm) from top bolts.*

**NOTE:** *Blocking MUST be added for extra strength.*



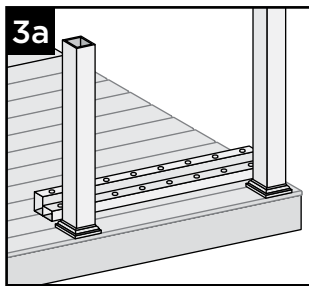
### Installing Post Sleeve Skirts and Post Sleeves

2. Slide post sleeve skirt over post and down to rest on decking surface. Slide post sleeve over post and position inside post sleeve skirt.

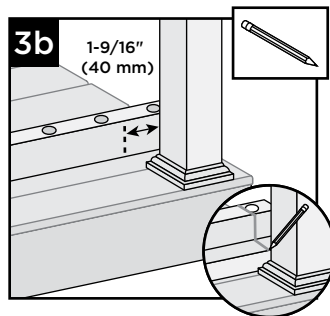


**NOTE:** *Shims can be used to plumb post sleeves.*

### Cutting Railings



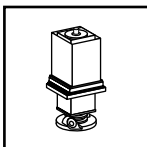
3a. Position bottom and top rails between posts, ensuring baluster holes are lined up and spaced evenly.



3b. Also allow for a minimum of 1-9/16" (40 mm) on each end of rail for bracket placement AND baluster clearance. Mark rails at intersection of rail and post.

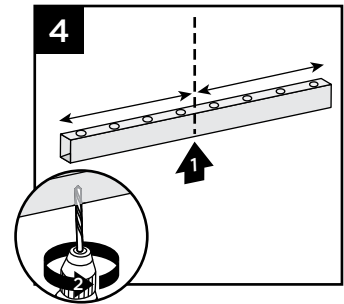
### IMPORTANT NOTE REGARDING FOOT BLOCK INSTALLATION:

» *Refer to detailed instructions (Trex Select® rail instructions) included with foot block prior to installation of railing section as these include other required steps for proper installation.*

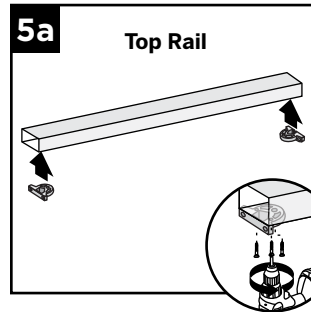


### Attaching Foot Block to Bottom Rail

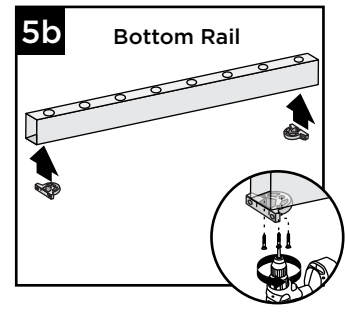
4. Invert the bottom rail. Center and drill a hole using a 3/16" (5 mm) drill bit. This will be location for foot block attachment (to be installed last).



### Attaching Brackets to Rails



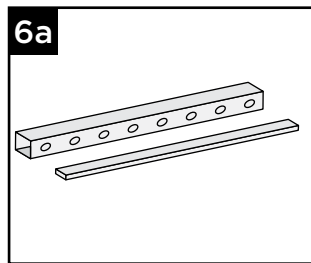
5a. Position brackets on each end of TOP RAIL on the same side as baluster holes. Attach brackets using three #8-18 x 1" self-drilling screws (provided).



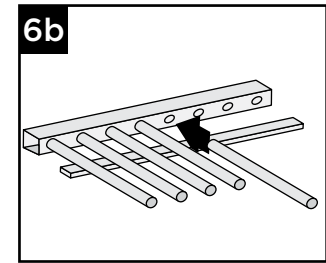
5b. Position brackets on each end of BOTTOM RAIL on the **OPPOSITE SIDE** of the baluster holes. Attach brackets using three #8-18 x 1" self-drilling screws (provided).

**NOTE:** *For ease of bracket attachment place rail against stationary flat vertical surface along with bracket.*

### Assembling Railing Section



6a. On a clean flat surface, lay bottom railing on its side. Make sure to allow enough room for installation of balusters and top rail. Place a scrap piece of 1" (25 mm) decking board running parallel to bottom rail for support when installing balusters.

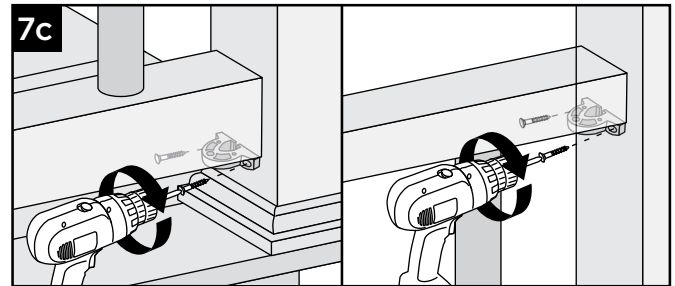
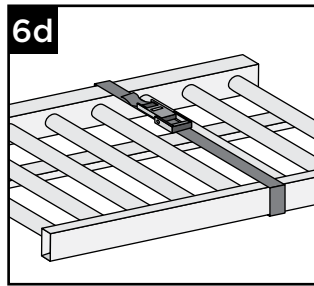
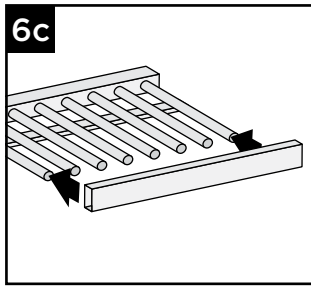


6b. Insert balusters into bottom rail slots until balusters are fully seated.



# HOW TO INSTALL TREX SELECT RAILING/CONTINUED

## TREX SELECT



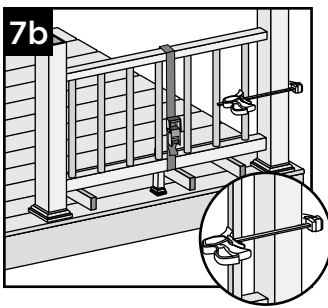
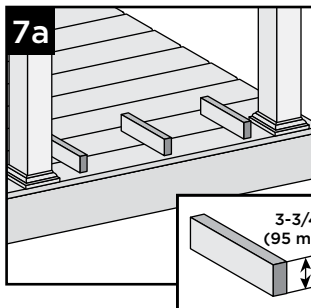
6c. Attach top rail to balusters, feeding each baluster into required slots. Start on one end and work towards the other.

6d. To help temporarily secure the railing section together, place a ratchet strap around the top and bottom rail and tighten until snug.

**DO NOT OVERTIGHTEN AS YOU CAN BEND THE RAILING.**

7c. Install both bottom and top brackets on each side to post using two #8-10 x 2" wood screws (*provided*). For best results, set drill to low speed when installing these screws.

### Installing Railing Section to Posts



7a. Using scrap material (i.e. 2 x 4s, decking boards, etc.) cut at least three support blocks at 3-3/4" (95 mm) in height. Place one each on decking surface beside each post and one near center of span.

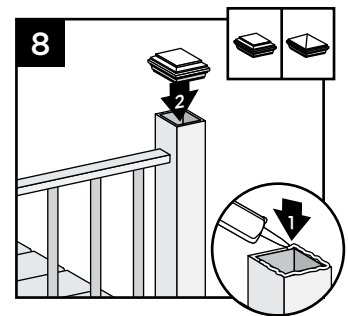
7b. Lift secured railing section up, and **CENTER** this section in between the spanned posts on pre-positioned support blocks.

**NOTE:** To help stabilize railing section use a quick-grip clamp (or other type of clamp) and clamp the first baluster to post sleeve. **DO NOT OVERTIGHTEN CLAMP.**

### Attaching Post Caps and Installing Foot Block

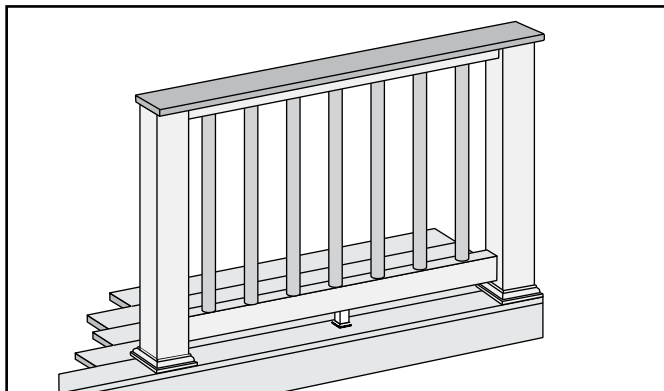
8. Secure post caps with silicone or PVC adhesive. Attach foot block per foot block instructions.

**NOTE:** Clean up any excess adhesive before it dries.



# HOW TO INSTALL COCKTAIL RAILING TREX SELECT

**Important:** ONLY use for use with pressure-treated 4x4 post (3.5" nominal square) and 4" x 4" (102 mm x 102 mm) post sleeve. Trex Post Mounts or Joist Mount Posts cannot be used with Select Cocktail railing.

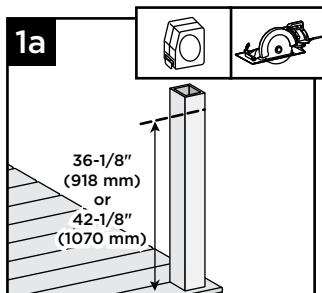


## 1. Installing Pressure-Treated Posts, Post Sleeve Skirts and Post Sleeves

See instructions on page 145.

### Cutting Post and Post Sleeve

- 1a. Mark and cut post and post sleeve measuring from deck surface:
- » 36-1/8" (918 mm) for 36" (914 mm) height.
  - » 42-1/8" (1070 mm) for 42" (1067 mm) height.



## 4. Cutting Railings

See instructions on page 145.

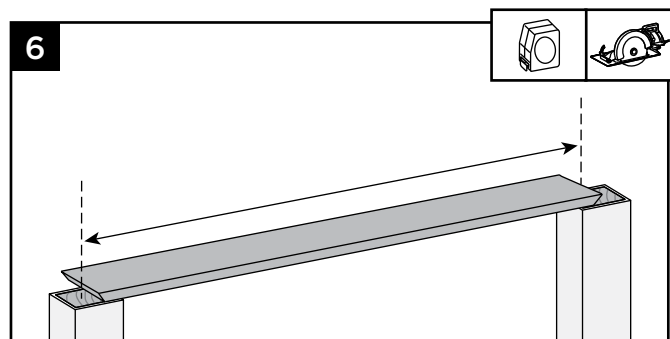
## 5. Attaching Foot Block to Bottom Railing

See instructions on page 145.

### NOTES:

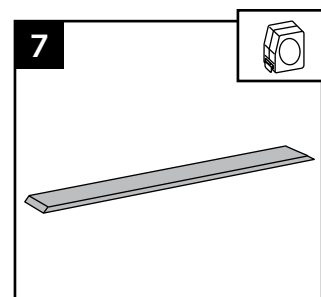
- » Leave 1/8" (3 mm) gap between deck boards.
- » Deck boards can overhang end of last post maximum 1/2" (13 mm).

## Cutting Deck Board



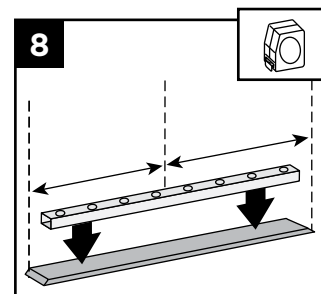
6. Cut deck boards to appropriate length of railing span, remembering to include extra space on each side of the deck board to allow for attachment to the post. Decking boards must cover 1/2 of the pressure-treated post to allow this to be fastened later.

7. Place inverted deck board (top side of deck board face down) on clean, flat surface. (**DO NOT** use Enhance scalloped profile or Escapes deck boards for top rail).



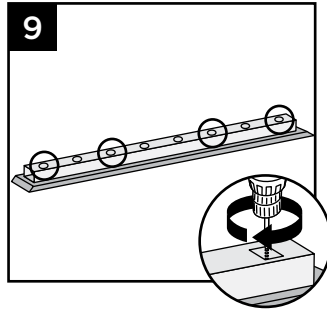
## Attaching Deck Board to Select Top Rail

8. Place inverted Select top rail (orient properly so baluster holes are shown top side up), on the deck board, centered in both directions to allow final attachment to post.



## HOW TO INSTALL COCKTAIL RAILING/CONTINUED TREX SELECT

9. Secure deck board to Select top rail with 3/4" screws provided approx. every 16" on center. Screws are to be installed inside of the baluster holes into the decking board. **DO NOT** overtighten.



### NOTES:

- » A long drill bit will be required to fit inside the baluster holes.
- » If installing 8' rail section and using Aluminum Rail Stiffener, predrilling will be required through the stiffener.

### 10. Assembling Railing Sections

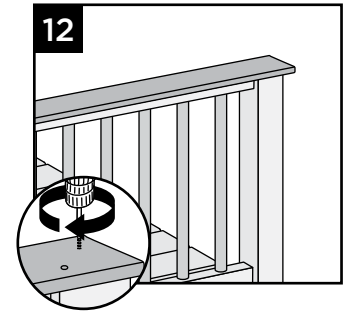
See instructions on page 145.

### 11. Installing Railing Sections to Posts

See instructions on page 146.

### 12. Attaching Deck Board to Posts

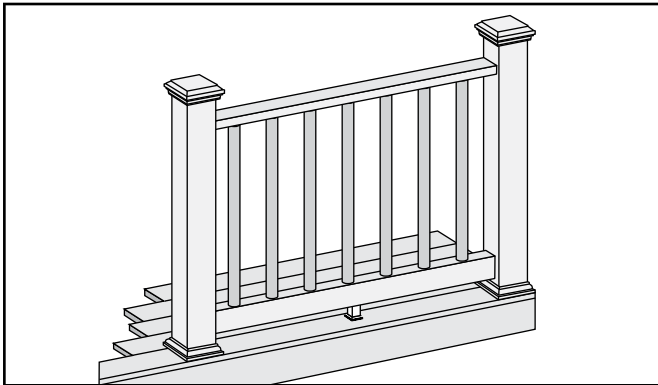
Attach boards on each post with Trex recommended composite screws (quantity of 2 per each board end).



### 13. Installing Foot Block

Install foot block per detailed instructions.

## HOW TO INSTALL TREX TRADITIONAL RAILING TREX SELECT



### 1. Installing Pressure-Treated Posts, Post Sleeve Skirts and Post Sleeves

See instructions on page 145.

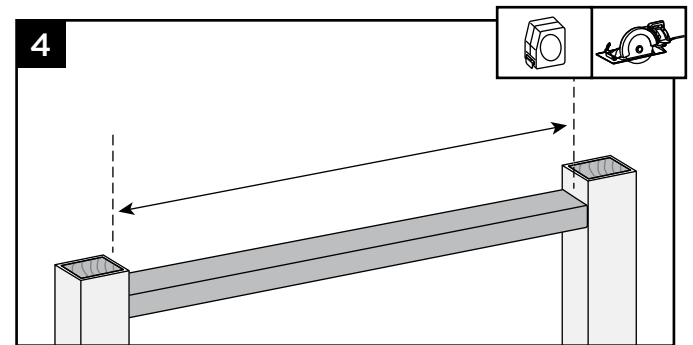
### 2. Attaching Foot Block to Bottom Railing

See instructions on page 145.

### 3. Cutting Railings

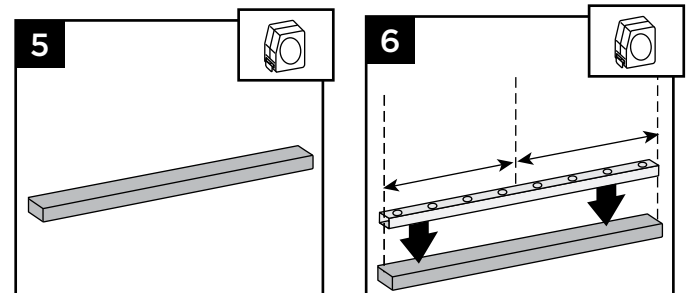
See instructions on page 145.

### Cutting 2" x 4"



4. Cut 2" x 4" (51 mm x 102 mm) to same length of the inverted Select top rail.

### Attaching 2" x 4" to Select Top Rail

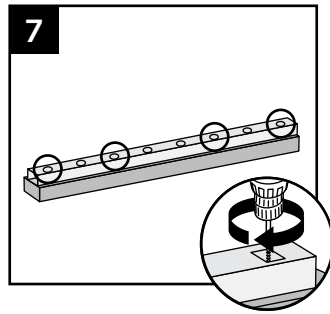


5. Place inverted 2" x 4" (51 mm x 102 mm) (top side face down) on clean, flat surface.  
6. Place inverted Select top (orient properly so baluster holes are shown top side up) on 2" x 4" (51 mm x 102 mm).

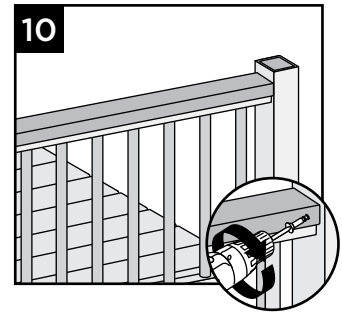


## HOW TO INSTALL TREX TRADITIONAL RAILING/CONTINUED TREX SELECT

7. Secure 2" x 4" (51 mm x 102 mm) to Select top rail with 3/4" screw provided approx. every 16" on center. Screws are to be installed inside of the baluster holes into the decking board.



10. **Attaching 2x4 to Posts**  
Pre-drill a pilot hole and toenail 2-1/2" (64 mm) screw at each end of 2" x 4" (51 mm x 102 mm) into post on back side of rail (side not facing decking).



### NOTES:

- » **DO NOT** overtighten. Note that a long drill bit will be required to fit inside the baluster holes.
- » If installing 8' rail section and using Aluminum Rail Stiffener, predrilling will be required through the stiffener.

11. **Attaching Post Caps and Installing Foot Block**

Secure post caps with silicone or PVC adhesive. Attach foot block per foot block instructions.

8. **Assembling Railing Sections**

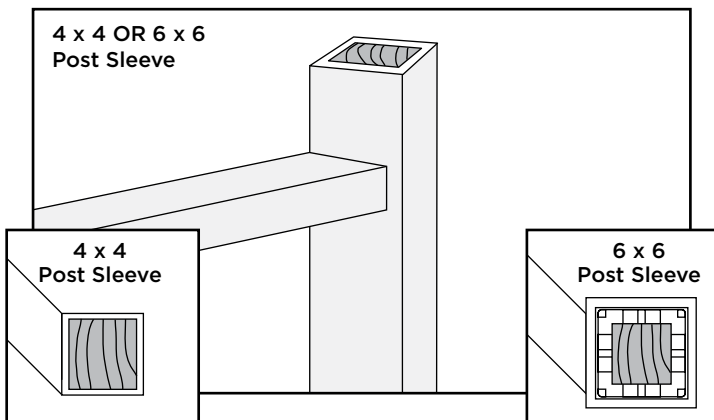
See instructions on page 145.

9. **Installing Railing Sections to Posts**

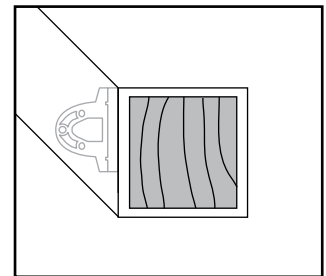
See instructions on page 146.

## HOW TO INSTALL ON-AN-ANGLE RAILING TREX SELECT

**NOTE:** Brackets are designed to be installed up to a 45° angle.



Both 4" x 4" (102 mm x 102 mm) or 6" x 6" (152 mm x 152 mm) post sleeves work well for angles up to 45 degrees. Bottom rail brackets may need to be slightly offset to one side in order to fit properly to hold rail in place. Before attaching bracket to rail, measure and mark to ensure bottom rail remains parallel to upper rail.



# HOW TO INSTALL TREX SELECT STAIR RAILING

## TREX SELECT

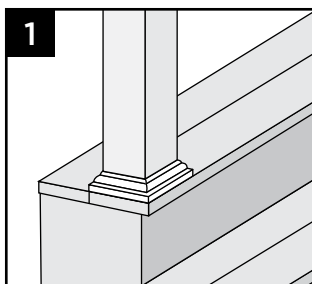
Read all instructions **BEFORE** installation.

**IMPORTANT NOTE: POST TO POST SPAN WILL BE LESS THAN 6'. PRIOR TO INSTALLING POSTS, CALCULATE POST TO POST SPAN USING A MAXIMUM RAIL LENGTH OF 6' AND THE ANGLE (32°-37°) AT WHICH THE RAILS WILL BE INSTALLED. DO NOT INSTALL STAIR POSTS AT 6' SPAN, AS STAIR RAILINGS WILL THEN BE TOO SHORT.**

**NOTE: All Select railings work ONLY WITH STAIR SLOPES OF 32° TO 37°.**

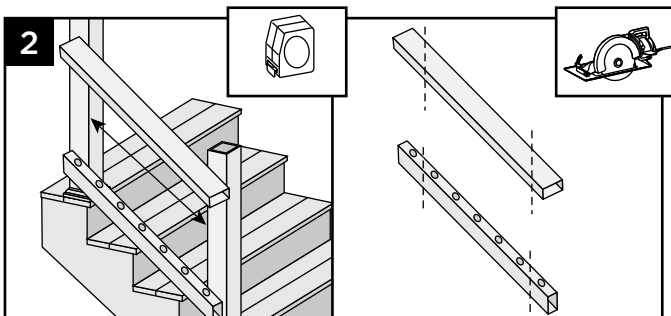
### Installing Posts, Post Sleeve Skirts, and Post Sleeves for Stair Rails

1. Install posts, post sleeve skirts, and post sleeves according to standard Select railing instructions.



- » In most cases, a post and post sleeve longer than 39" (991 mm) will be needed on the lower section of stair rail to accommodate stair angle.
- » Make sure top and bottom posts for stars are installed at nose of each tread.

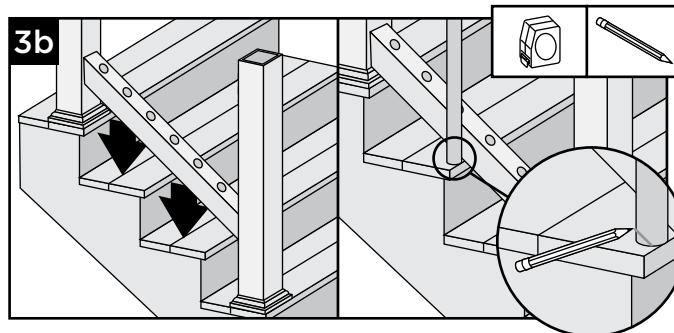
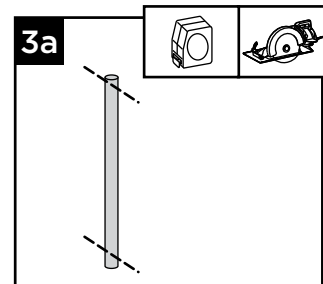
### Measuring and Cutting Railings



2. Set railing along the nose of the stair treads, making sure baluster holes are vertically aligned and mark line at each intersection. **When measuring, cut equal lengths from each side of railing allowing a minimum of 2" (51 mm) on each end from the last baluster hole to the end of the rail.** This will ensure proper baluster and bracket placement and equal spacing of balusters per each railing section.

### Cutting Balusters on Angle (OPTIONAL)

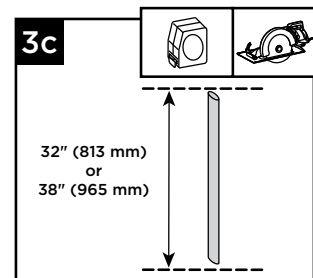
- 3a. In order for balusters to seat properly (depending on the angle of the stair railing), the balusters may need to be trimmed to match the angle of the bottom and top railing.



- 3b. Set bottom railing on nose of stair treads and set baluster at 90° on the outside of the railing. Mark and measure the angle.

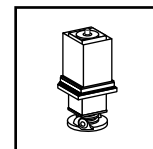
**NOTE: Measure, mark, and cut a scrap board to ensure you have proper angle BEFORE cutting balusters on angle.**

- 3c. Cut the **VERY END** of baluster, both top and bottom, making sure that point to point measurement of the baluster remains at either 32" (813 mm) for 36" (914 mm) rail heights or 38" (965 mm) for 42" (1067 mm) rail heights.



### IMPORTANT NOTE REGARDING FOOT BLOCK INSTALLATION:

- » Refer to detailed instructions (Trex Select) rail instructions) included with foot block prior to installation of railing section as these include other required steps for proper installation.



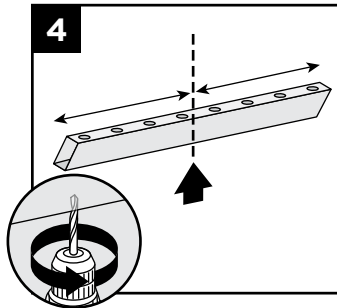


# HOW TO INSTALL TREX SELECT STAIR RAILING/CONTINUED

## TREX SELECT

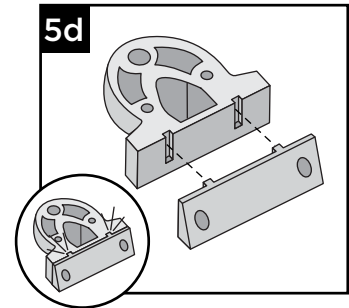
### Attaching Foot Block to Bottom Stair Rail

4. Invert the bottom stair rail. Center and drill a hole using a 3/16" (5 mm) drill bit. This will be location for foot block (to be installed last).



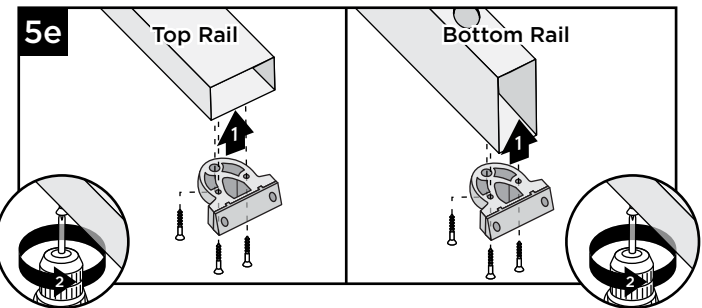
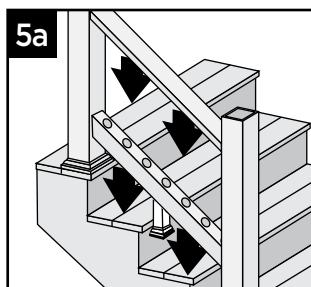
### Lower Stair Post Locations

5d. Snap the bottom stair adaptor bracket (labeled BOTTOM) to the standard bracket. Repeat for remaining bracket.



### Attachment of Brackets to Railings

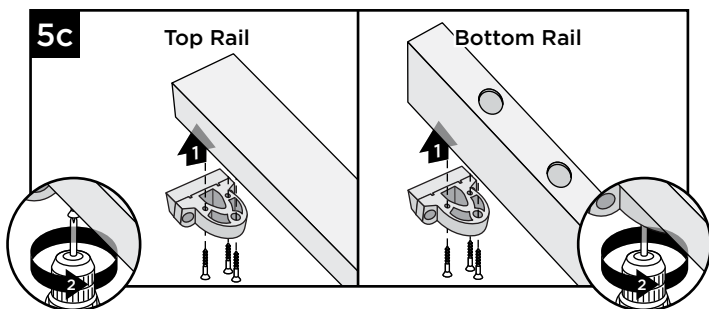
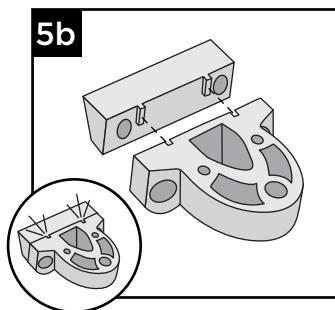
5a. Check fit for both top and bottom railings in designated positions for location onto posts. Remove railings.



5e. On the TOP RAIL, attach the assembled bottom stair bracket to the side with baluster holes. On the BOTTOM RAIL, attach the assembled bottom stair bracket to the OPPOSITE SIDE of the baluster holes. Attach both brackets using three #8-18 x 1" self-drilling screws (*provided*).

### Upper Stair Post Locations

5b. Snap the top stair adaptor bracket (labeled TOP) to the standard bracket. Repeat for remaining bracket.

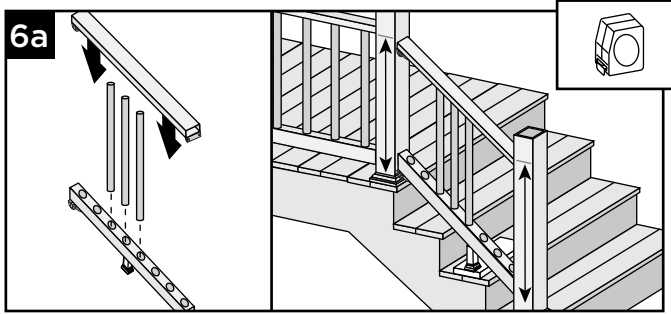


5c. On the TOP RAIL, attach the assembled top stair bracket to the side with baluster holes. On the BOTTOM RAIL, attach the assembled top stair bracket to the OPPOSITE SIDE of the baluster holes. Attach both brackets using three #8-18 x 1" self-drilling screws (*provided*).

# HOW TO INSTALL TREX SELECT STAIR RAILING/CONTINUED

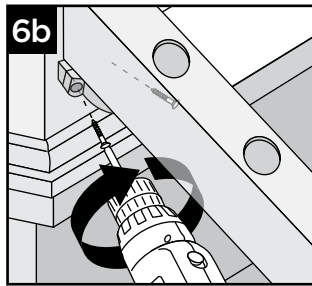
## TREX SELECT

### Attachment of Bottom Rail to Post

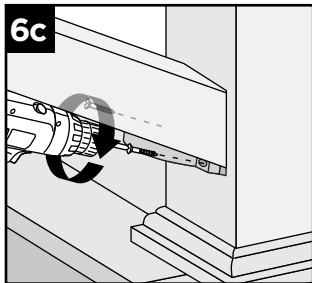


6a. Assemble a few of the balusters into the bottom and top railings (make sure balusters are setting at 90°) and set this on scrap material clearing the stair treads to determine where bracket locations need to be. Measure to make sure that the bottom railing will clear the stair treads and the top railing will be aligned with horizontal railing (remember in most cases, a longer post and post sleeve will be needed on the lower section of stair rail to accommodate stair angle).

6b. After locating appropriate position for bottom rail remove top rail and balusters and attach bottom rail stair bracket to upper post using two #8-10 x 3" wood screws (*provided*).

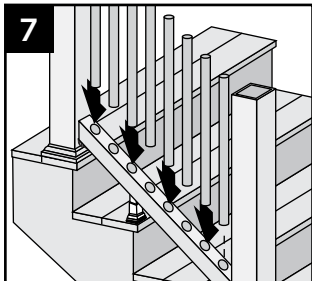


6c. Attach bottom stair rail stair bracket to lower post using two #8-10 x 3" wood screws (*provided*). For best results set drill to low speed when installing these screws.



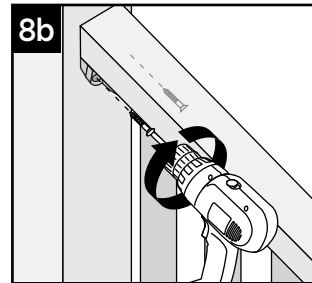
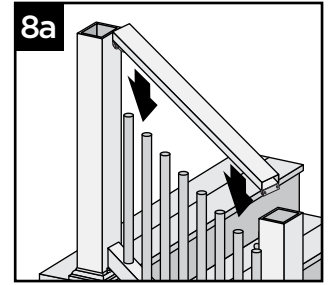
### Install Balusters

7. Slide balusters into bottom rail until balusters are fully seated.

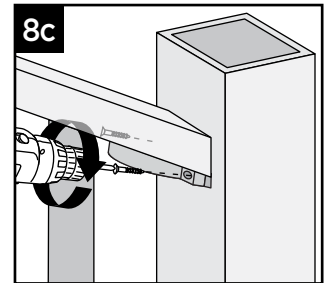


### Attachment of Top Rail to Post

8a. Place top rail onto balusters, allowing the top rail to rest on the surface of the balusters.



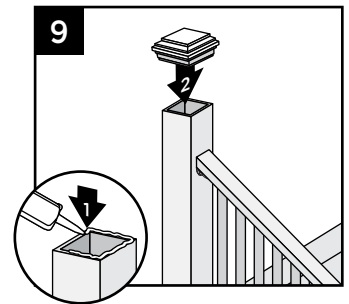
8b. Attach top stair rail bracket to upper post using two #8-10 x 3" screws (*provided*). For best results set drill to low speed when installing these screws.



8c. Attach top stair rail bracket to lower post using two #8-10 x 3" screws (*provided*). For best results set drill to low speed when installing these screws.

### Attaching Post Caps and Installing Foot Block

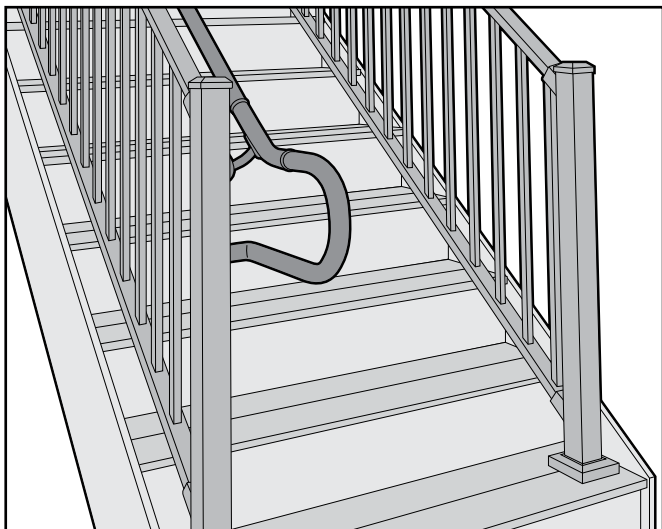
9. Secure post caps with silicone or PVC adhesive. Attach foot block per foot block instructions.



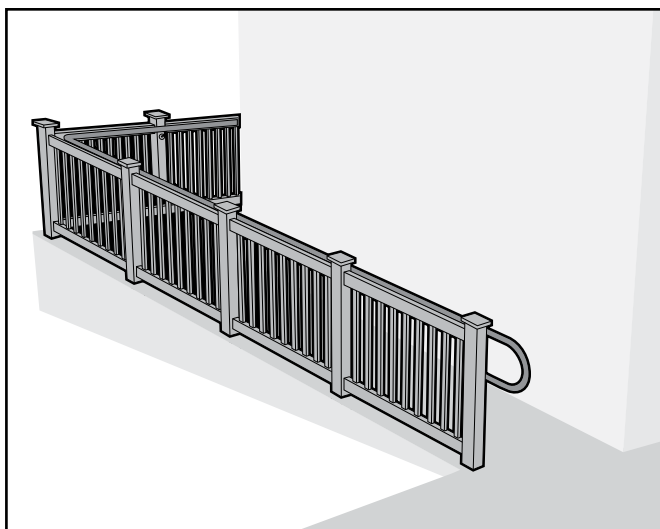
**NOTE:** Clean up any excess adhesive before it dries.

# TREX® ALUMINUM ADA COMPLIANT HANDRAIL

## STAIR APPLICATION

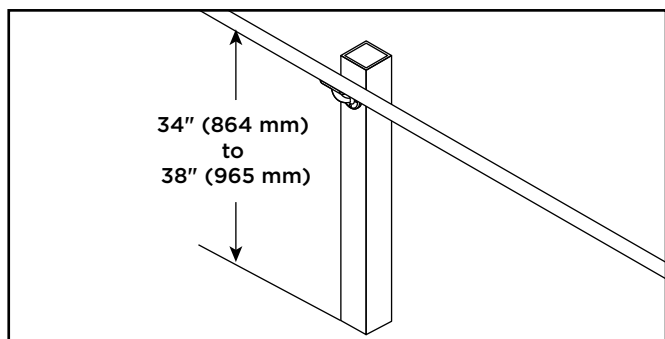


## RAMP APPLICATION



### ADA Handrail Guidelines

1. ADA handrails can be installed using various design applications such as those for stairs, ramps, and horizontal applications. Designs include options for straight and 90° wall returns, 90° corners, and adjustable angles. Choose which is best for your needs before installing. Refer to railing profile page for a more detailed parts list.



2. The handrail system top rail should be 34" (864 mm) to 38" (965 mm) above the surface. However, verifying height requirements with local building code officials before installing is important as codes vary in different areas.\*
3. Maintain a minimum clearance of 1-1/2" (38 mm) between the handrail and any obstructions above or behind the handrail.
4. The end loop return at all landings must extend 12" (305 mm) past the end of the ramp or stair application.\*
5. The slope of the handrail for the ramp should not exceed 1" (25 mm) rise over a 12" (305 mm) run.

6. The maximum recommended span between supports is 6' (1.83 m) on center. Thus, placement of posts is critical when installation of railing is being considered.\*
7. Rails are designed to have a tight fit into other connecting components. It is critical to line these up in the correct orientation BEFORE connecting parts together. If it is necessary to shift or move a component on a rail, wrap with a protective cloth to prevent scratching as you may need to use a wide-mouth wrench to correct this.
8. **At any straight location where internal connector is used, it is CRITICAL to locate these as close to a wall mount as possible.**
9. If using metal posts, pre-drill all locations for bracket attachment. (**ALWAYS** use a drill bit slightly SMALLER in diameter than the screw being used for attachment.)
10. All elbow components can be cut down to allow for tighter angles. Cut a maximum of 2" (51 mm) on each side if this is required.

\*Refer to the American Disabilities Act for detailed information with regard to handrail requirements.

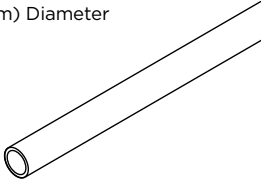

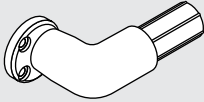

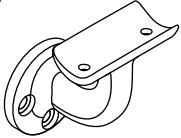
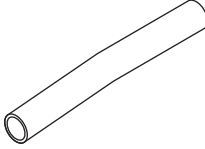
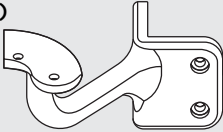

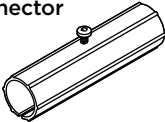
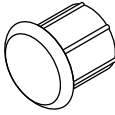
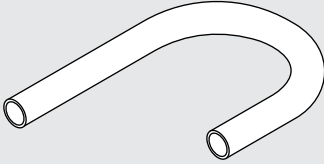
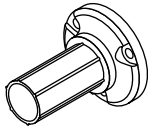

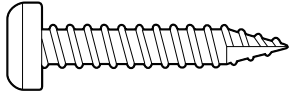


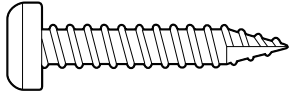


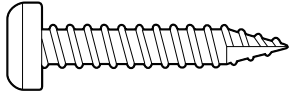

### SAFETY NOTES

- » When cutting metal, ALWAYS wear proper safety eyewear (as well as any other proper safety wear).
- » Remove all burrs from cut ends before installation.
- » Use of a non-ferrous metal blade is recommended.


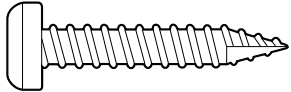

NOTE: Construction methods are always improving. Please refer to [www.trex.com](http://www.trex.com) for the most up-to-date installation requirements.

# ADA RAILING PROFILES

» SEE PAGE 62 FOR SKU NUMBERS.

| DESCRIPTION   | COLOR   | DESCRIPTION   | COLOR      |                            |  |  |   |                                  |  |   |   |   |  |                               |   |
|---|---|---|------------|----------------------------|--|--|---|----------------------------------|--|---|---|---|--|-------------------------------|---|
| <b>ADA Handrail</b><br>1.375" (34.9mm) Diameter<br>  | BK, BZ, WT  | <b>ADA 90° Elbow*</b><br><br><small>*This component is designed for both inside corners and outside corners.</small>   | BK, BZ, WT |                            |  |  |   |                                  |  |   |   |   |  |                               |   |
| <b>ADA Wall Return</b><br>(screws included)<br>      | BK, BZ, WT  | <b>ADA 36°, 34°, and 31° Elbows</b><br>   | BK, BZ, WT |                            |  |  |   |                                  |  |   |   |   |  |                               |   |
| <b>ADA Wall Mount</b><br>(screws included)<br>       | BK, BZ, WT  | <b>ADA 5° Elbow</b><br>  | BK, BZ, WT |                            |  |  |   |                                  |  |   |   |   |  |                               |   |
| <b>ADA Corner Mount</b><br>(screws included)<br>    | BK, BZ, WT  | <b>ADA Collar</b><br>  | BK, BZ, WT |                            |  |  |   |                                  |  |   |   |   |  |                               |   |
| <b>ADA Internal Connector</b><br>                  |   | <b>ADA End Cap</b><br>  | BK, BZ, WT |                            |  |  |   |                                  |  |   |   |   |  |                               |   |
| <b>ADA Handrail Return</b><br>                     | BK, BZ, WT  | <b>HARDWARE</b>   |            |                            |  |  |   |                                  |  |   |   |   |  |                               |   |
| <b>ADA Inline Bracket</b><br>(screws included)<br> | BK, BZ, WT  | <table border="1"> <thead> <tr> <th colspan="2">RAIL TO BRACKET ATTACHMENT</th> </tr> </thead> <tbody> <tr> <td>Short Metal Screw (#10 x 5/8" [16 mm])</td> <td></td> </tr> <tr> <th colspan="2">BRACKET TO METAL POST ATTACHMENT</th> </tr> <tr> <td>Long Metal Screw (#12 x 1-1/4" [32 mm])</td> <td></td> </tr> <tr> <th colspan="2">BRACKET TO WOOD POST/POST SLEEVE ATTACHMENT</th> </tr> <tr> <td>Wood Screw (#10 x 2" [51 mm])</td> <td></td> </tr> </tbody> </table> |            | RAIL TO BRACKET ATTACHMENT |  | Short Metal Screw (#10 x 5/8" [16 mm]) |  | BRACKET TO METAL POST ATTACHMENT |  | Long Metal Screw (#12 x 1-1/4" [32 mm]) |  | BRACKET TO WOOD POST/POST SLEEVE ATTACHMENT |  | Wood Screw (#10 x 2" [51 mm]) |  |
| RAIL TO BRACKET ATTACHMENT  |   |   |            |                            |  |  |   |                                  |  |   |   |   |  |                               |   |
| Short Metal Screw (#10 x 5/8" [16 mm])  |  |   |            |                            |  |  |   |                                  |  |   |   |   |  |                               |   |
| BRACKET TO METAL POST ATTACHMENT  |   |   |            |                            |  |  |   |                                  |  |   |   |   |  |                               |   |
| Long Metal Screw (#12 x 1-1/4" [32 mm])   |  |   |            |                            |  |  |   |                                  |  |   |   |   |  |                               |   |
| BRACKET TO WOOD POST/POST SLEEVE ATTACHMENT   |   |   |            |                            |  |  |   |                                  |  |   |   |   |  |                               |   |
| Wood Screw (#10 x 2" [51 mm])   |  |   |            |                            |  |  |   |                                  |  |   |   |   |  |                               |   |

## HARDWARE

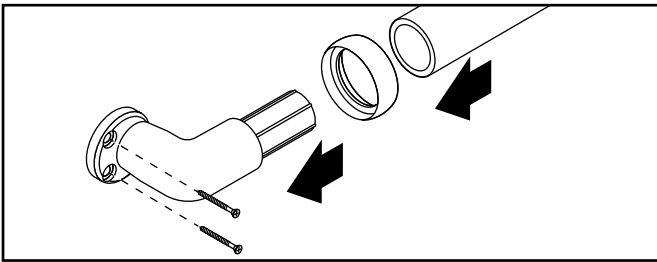
| RAIL TO BRACKET ATTACHMENT                  |   |
|---|---|
| Short Metal Screw (#10 x 5/8" [16 mm])      |  |
| BRACKET TO METAL POST ATTACHMENT            |   |
| Long Metal Screw (#12 x 1-1/4" [32 mm])     |  |
| BRACKET TO WOOD POST/POST SLEEVE ATTACHMENT |   |
| Wood Screw (#10 x 2" [51 mm])               |  |

**NOTE:** If attaching brackets to 6x6 posts/post sleeves, use #10 x 2-1/2" (64 mm) wood screws (not included).

COLORS: BK Charcoal Black BZ Bronze WT White

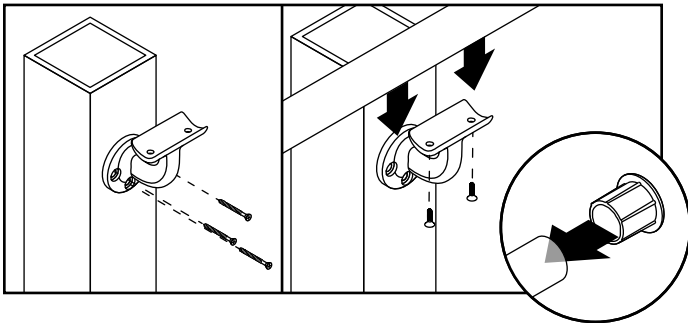
# HOW TO INSTALL TREX® ALUMINUM ADA COMPLIANT HANDRAIL

## 90° Wall Return



1. If required, cut railing to proper length based on location of wall return(s) or attachment to other components.
2. If desired, collar ring can be used to hide seam of wall return to rail. Slide over rail **BEFORE** inserting rail into wall return.
3. Slide rail onto wall return until it is fully inserted and seam is hidden under collar (if collar is being used).
4. Attach wall return to post using specific hardware provided (see chart on previous page), **ENSURING** wall return is at proper angle of alignment to post. (Wall return is designed to have tight fit into rail, thus location of attachment is critical.) If using metal posts, pre-drill post prior to attachment of wall mount.

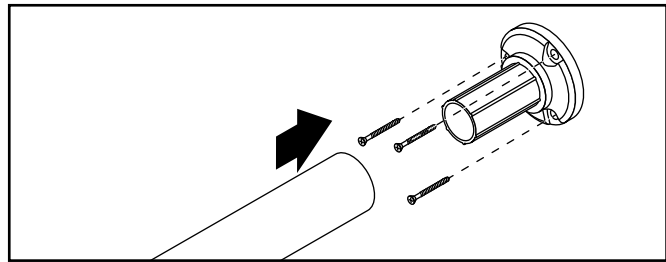
## Wall Mount



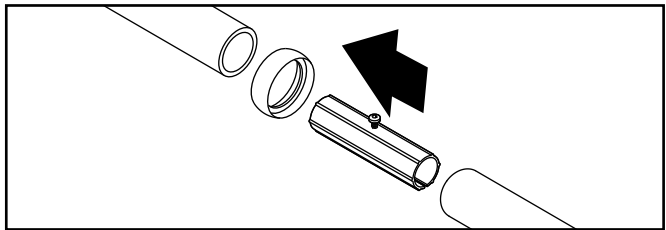
**NOTE:** Refer to Rail-to-Rail Connections section if connecting two or more rails together to make continuous straight run.

1. If required, cut railing to proper length based on location of wall mount(s) or attachment to other components.
  2. Attach wall mount to post using specific hardware provided (see chart on previous page), **ENSURING** wall mount is at proper angle of alignment to angle of rail. If using metal posts, pre-drill post prior to attachment of wall mount.
- TIP:** To help with angled attachment, place one screw into bottom hole of bracket and pivot wall mount to position required.
3. Attach rail to wall mount using specific hardware provided (see chart on previous page).
  4. Attach end cap to railing.

## Inline Bracket



1. If required, cut railing to proper length based on location of inline bracket(s) or attachment to other components.
2. Attach inline bracket to post using specific hardware provided (see chart on previous page). If using metal posts, pre-drill post prior to attachment of inline bracket.
3. Slide rail onto inline bracket until it is fully inserted.



## Rail-to-Rail Connections/Internal Connector

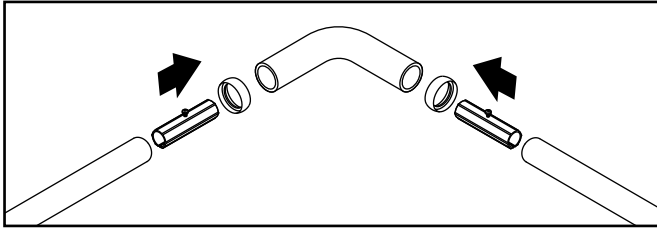
**NOTE:** When rail-to-rail straight connections are used for longer spans, posts must be installed 6' OC max. In addition, a wall mount **MUST** be used at each seam of rail-to-rail connections as close to center of wall mount as possible. If collar is used, this can be offset slightly to allow for the collar to fit.

1. If required, cut railing to proper length.
2. If desired, collar ring can be used to hide seam between rails. Slide ring over rail **BEFORE** inserting rails into internal connector.
3. Slide internal connector into rail end until metal spacer screw is touching either end of rail or collar, if used.
4. Slide second rail over opposite end of internal connector, until it is touching metal spacer screw.
5. Remove metal spacer screw using #2 square-head screwdriver.
6. Push second rail further over internal connector until it fits in the collar (if used) or fits tightly against rail.
7. Attach wall mount to post per previous instructions.
8. Attach rail to wall mount per previous instructions.
9. Use end caps where required.



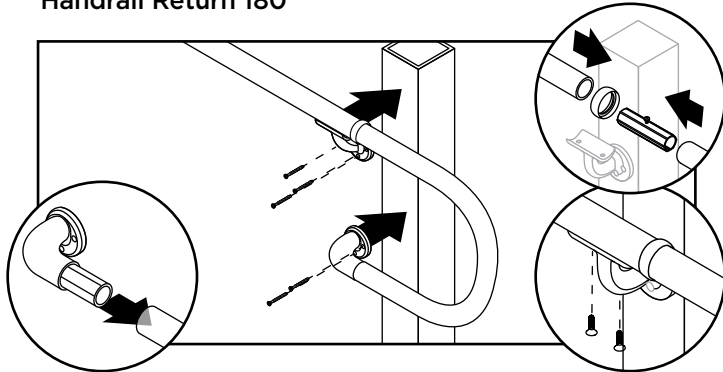
# HOW TO INSTALL TREX® ALUMINUM ADA COMPLIANT HANDRAIL/CONTINUED

## Elbows (90°, 36°, 34°, 31°, 5°)



1. If required, cut railing to proper length based on location of elbows and other components being used.
2. If desired, collar ring can be used to hide seam of elbow to rail. Slide over rail **BEFORE** inserting rail into elbow.
3. Slide internal connector into rail end until metal spacer screw is touching either end of rail or the collar, if this was used.
4. Slide appropriate angled elbow onto opposite end of internal connector, until it is touching metal spacer screw.
5. Remove metal spacer screw using #2 square head screwdriver.
6. Push elbow further over internal connector until it fits in the collar (if used) or fits tightly against rail.
7. Attach wall mount to post per previous instructions.
8. Attach rail to wall mount per previous instructions.

## Handrail Return 180°

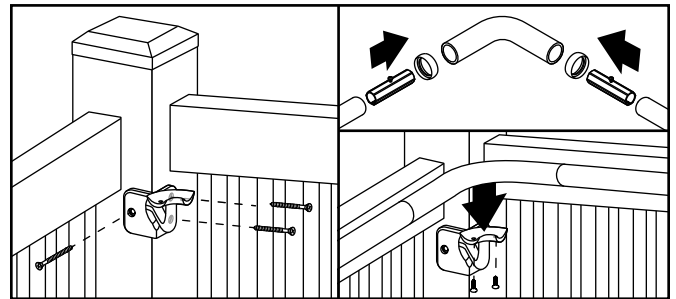


**NOTE:** Ramp application shown here. (Appropriate angle elbow also required for stair applications.)

1. If required, cut railing to proper length based on location of elbow used as well and other components being used.
2. If desired, collar ring can be used to hide seam of handrail return to rail or elbow being used. Slide this over rail **BEFORE** inserting rail into other component.
3. Ensure that all components are aligned to both wall mount on post as well as location of elbow on rail **BEFORE** attachment.

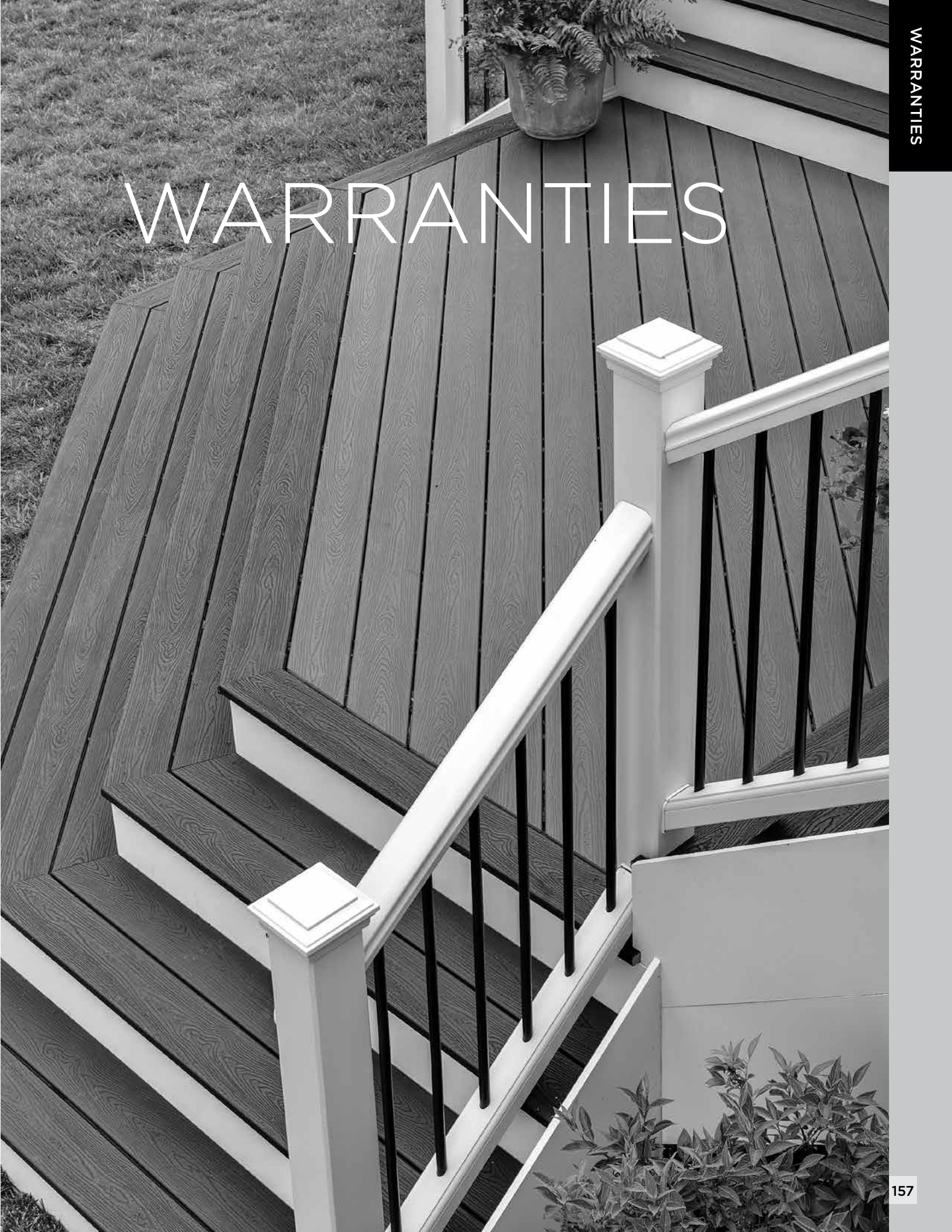
4. Slide internal connector into appropriate elbow being until metal spacer screw is touching either end of elbow or the collar, if this was used.
5. Attach wall return to lower end of handrail return (longer side), **ENSURING** wall return is at proper angle of alignment to post. (Wall return is designed to have tight fit into rail, thus location of attachment is critical.)
6. Slide opposite end of handrail return onto internal connector, until it is touching metal spacer screw.
7. Remove metal spacer screw using #2 square-head screwdriver.
8. Push handrail return further over internal connector until it fits in the collar (if used) or fits tightly against elbow.
9. Attach wall return to post per previous instructions.
10. Attach rail to wall mount per previous instructions.
11. Use end caps where required.

## Corner Mount



1. Pre-drill metal post and install corner post to metal post using specific hardware provided (see chart on previous page).
2. If desired, collar ring can be used to hide seam of elbow to rail. Slide this over rail **BEFORE** inserting rail into elbow.
3. Slide internal connector into rail end until metal spacer screw is touching either end of rail or the collar, if this was used.
4. Slide appropriate angled elbow onto opposite end of internal connector, until this is touching metal spacer screw.
5. Remove metal spacer screw using #2 square-head screwdriver.
6. Push elbow further over internal connector until this fits in the collar (if used) or fits tightly against rail.
7. Install elbow to corner mount using specific hardware provided.

# WARRANTIES







## TREX TRANSCEND®, TREX ENHANCE®, TREX SELECT® AND TREX® UNIVERSAL FASCIA LIMITED FADE AND STAIN WARRANTY

For the term set forth below, Trex Company, Inc. (hereinafter “Trex”) warrants to the original end-user purchaser (the “Purchaser”) that Trex Transcend® decking, porch or fascia, Trex Enhance® decking or fascia, Trex Select® decking or fascia or Trex® Universal Fascia, as the case may be (the “Product”) will perform, under normal use and service conditions, as follows:

**Term of Warranty:** The term of this warranty shall begin on the date of original purchase, and shall end (1) twenty-five (25) years thereafter for a residential application of the Product, and (2) ten (10) years thereafter for a commercial application of the Product.

**Residential/Commercial Application:** For purposes of this warranty, a “residential application” shall refer to an installation of the Product on an individual residence, and a “commercial application” shall refer to any installation of the Product other than on an individual residence.

**Fade Resistance:** The Product shall not fade in color from light and weathering exposure as measured by color change of more than 5 Delta E (CIE) units.

The Product is designed to resist fading. No material is fade proof when exposed to years of UV exposure and the elements. The Product is designed to resist fading, and will not in any event fade by more than 5 Delta E (CIE) units.

**Stain Resistance:** The Product shall be resistant to permanent staining resulting from spills of food and beverage items including ketchup, mustard, salad oils, tea, wine, coffee, fruit punch, barbecue sauce, grease, sodas and other food and beverage related items that would typically be present on a residential deck, or mold and mildew naturally occurring in the environment, provided that such substances are removed from the Product with soap and water or mild household cleaners within one (1) week of exposure of the food or beverage to the surface or first appearance of the mold and mildew.

Notwithstanding the foregoing, Trex does not warrant that the Product is stain-proof, and does not warrant stain resistance resulting from spilled or otherwise applied food and beverage substances which are not properly cleaned as provided above within one (1) week of exposure. In addition, materials not covered in the stain resistant warranty include abrasive compounds of acidic or basic pH, paints or stains, strong solvents, metallic rust or other abnormal deck use items, and non-food and non-beverage substances, including but not limited to, biocides, fungicides, plant food, or bactericides. Mold and mildew can settle and grow on any outdoor surface, including this Product. You should periodically clean your deck to remove dirt and pollen that can feed mold and mildew. This warranty does not cover mold and mildew which is not properly cleaned as provided above within one (1) week of first appearance.

**Standard Trex Company Limited Warranty:** This warranty is in addition to the standard Trex Company Limited Warranty that applies to all Trex products.

**Transferability:** With respect to a residential application, this warranty may be transferred one (1) time, within the five (5) year period beginning from the date of original purchase by the Purchaser, to a subsequent buyer of the property upon which the Trex products were originally installed. With respect to a commercial application, this warranty is freely transferable to subsequent buyers of the property upon which the Trex products were originally installed.

### EXCLUSIONS FROM WARRANTY COVERAGE:

**Exposure to Heat:** Direct or indirect contact with extreme heat sources (over 275 degrees) may cause fading and may damage the surface of the Product, and any effects of such exposure are expressly excluded from coverage under this warranty.

**Surface Damage:** Never use metal shovels or sharp-edged tools to remove snow and ice on the surface of the Product. If the surface of the Product is damaged or punctured, this warranty will be voided.

**Paint or Other Materials Applied to the Product:** If paint or other coating materials are applied to the Product, this warranty will be voided.

**Railing:** This warranty does not cover Trex Transcend®, Trex Enhance® or Trex Select® railing components.

**Other Exclusions:** This warranty shall not cover any condition attributable to: (1) improper installation of the Product and/or failure to abide by Trex’s installation guidelines, including but not limited to improper gapping; (2) use of the Product beyond normal use or service conditions, or in an application not recommended by Trex’s guidelines and local building codes; (3) movement, distortion, collapse or settling of the ground or the supporting structure on which the Product is installed; (4) any act of God (such as flooding, hurricane, earthquake, lightning, etc.); (5) improper handling, storage, abuse or neglect of the Product by Purchaser, the transferee or third parties; (6) any fading or staining not on the walking surface of the Product (i.e., the underside or the ends of the Product); or (7) ordinary wear and tear.

### Procedure for Making a Claim under this Warranty

In order to make a claim under this warranty, Purchaser must do the following:

1. If the Purchaser is making a claim relating to the warranty on stain resistance, Purchaser must do as follows:



**NOTE: Construction methods are always improving. Please refer to [www.trex.com](http://www.trex.com) for the most up-to-date installation requirements.**



**TREX TRANSCEND<sup>®</sup>, TREX ENHANCE<sup>®</sup>,  
TREX SELECT<sup>®</sup> AND TREX<sup>®</sup> UNIVERSAL FASCIA  
LIMITED FADE AND STAIN WARRANTY/CONTINUED**

(a) Purchaser must try to clean the affected area of the deck by using the cleaning procedures described above within one (1) week of exposure of the food or beverage to the Product or first appearance of the mold and mildew.

(b) If the affected area remains reasonably unsatisfactory after Purchaser has tried these cleaning procedures, then Purchaser must have the affected area of the deck professionally cleaned at Purchaser's expense.

(c) If the affected area remains reasonably unsatisfactory after the professional cleaning, Purchaser may make a claim under this warranty, provided that such claim is made within thirty (30) days after the professional cleaning.

2. To make a claim under this limited warranty, Purchaser, or the transferee, shall send to Trex, within the warranty period referred to above, a description and photographs of the affected area of the Product, proof of purchase, and if the claim relates to the warranty on stain resistance, proof of compliance with paragraph 1. above, to the following address:

Trex Company, Inc.  
Customer Relations  
160 Exeter Drive  
Winchester, VA 22603-8605

3. Upon confirmation by an authorized Trex representative of a valid claim hereunder, Trex's sole responsibility shall be, at its option, to either replace the affected item or refund the portion of the purchase price paid by Purchaser for such affected item (not including the cost of its initial installation). Replacement material will be provided that is as close as possible in color, design and quality as the replaced material, but Trex does not guarantee an exact match as colors and design may change.

4. If a valid warranty claim hereunder is made during years eleven (11) through twenty-five (25) after the original purchase for a residential application, recovery will be prorated. If Trex is providing replacement materials, it may elect to replace the percentage listed below of boards otherwise meeting the requirements for a claim, or if it is refunding the purchase price, it may elect to refund the percentage listed below of the purchase price of boards otherwise meeting the requirements for a claim.

| YEAR OF WARRANTY CLAIM | PERCENTAGE RECOVERY |
|------------------------|---------------------|
| 11                     | 80%                 |
| 12                     | 80%                 |
| 13                     | 80%                 |
| 14                     | 60%                 |
| 15                     | 60%                 |
| 16                     | 60%                 |
| 17                     | 40%                 |
| 18                     | 40%                 |
| 19                     | 40%                 |
| 20                     | 20%                 |
| 21                     | 20%                 |
| 22                     | 20%                 |
| 23                     | 10%                 |
| 24                     | 10%                 |
| 25                     | 10%                 |

**5. TO THE FULLEST EXTENT PERMITTED UNDER THE LAW, THIS WARRANTY SHALL NOT COVER AND TREX SHALL NOT BE RESPONSIBLE FOR COSTS AND EXPENSES INCURRED WITH RESPECT TO THE REMOVAL OF AFFECTED PRODUCT OR THE INSTALLATION OF REPLACEMENT MATERIALS, INCLUDING BUT NOT LIMITED TO LABOR AND FREIGHT.**

No person or entity is authorized by Trex to make and Trex shall not be bound by any statement or representation as to the quality or performance of Trex products other than as contained in this warranty. This warranty may not be altered or amended except in a written instrument signed by Trex and Purchaser.

**TO THE FULLEST EXTENT PERMITTED UNDER THE LAW, UNDER NO CIRCUMSTANCES WILL TREX BE LIABLE FOR INCIDENTAL OR CONSEQUENTIAL DAMAGES, WHETHER SUCH DAMAGES ARE SOUGHT IN CONTRACT, IN TORT (INCLUDING BUT NOT LIMITED TO NEGLIGENCE AND STRICT LIABILITY) OR OTHERWISE, AND TREX'S LIABILITY FOR NON-PERSONAL INJURY CLAIMS WITH RESPECT TO PRODUCTS SHALL IN NO EVENT EXCEED THE REPLACEMENT OF SUCH PRODUCTS OR REFUND OF THE PURCHASE PRICE, AS DESCRIBED ABOVE.**

Some States or Provinces do not allow the exclusion or limitation of incidental or consequential damages, so the above limitation or exclusion may not apply to you. This warranty gives you specific legal rights, and you may also have other rights that vary from State to State or Province to Province.



## TREX® LIMITED WARRANTY

Trex Company, Inc. (hereinafter “Trex”) warrants to the original purchaser (“Purchaser”) that, for the period of time set forth in the following sentence, under normal use and service conditions, Trex® products shall be free from material defects in workmanship and materials, and shall not split, splinter, rot or suffer structural damage from termites or fungal decay. The term of such warranty shall be twenty-five (25) years from the date of original purchase for a residential application, and ten (10) years from the date of original purchase for a commercial application. If a defect occurs within the warranty period, Purchaser shall notify Trex in writing and, upon confirmation by an authorized Trex representative of the defect, Trex’s sole responsibility shall be, at its option, to either replace the defective item or refund the portion of the purchase price paid by Purchaser for such defective item (not including the cost of its initial installation).

**Notwithstanding the foregoing, (a), the term of the warranty for the LED lights and housing for Trex® DeckLighting™ shall be seven (7) years, the term of the warranty for the LED lights and housing for Trex® LandscapeLighting™ shall be five (5) years, the term of the warranty for the dimmer, timer and transformer for both shall be three (3) years, and the term of the warranty for the motion controller for both shall be one (1) year, in each case provided that a Trex transformer is used (with no warranty on any components if a Trex transformer is not used), and any other parts or accessories shall not be warranted; (b) with respect to hardware for the Trex Surroundings® gate (gate frame, hinges and screws), the term of the warranty shall be five (5) years, (c) with respect to Trex Decorative Balusters, the term of the warranty covering the paint coating shall be ten (10) years, and shall be prorated in the following manner: 100% replacement for the first five (5) years; and 50% replacement for the next five (5) years, and (d) this warranty shall not apply to Trex Elevations® steel deck framing, Trex® Signature™/Reveal® aluminum railing and TrexTrim™ (which each have separate warranties).**

For purposes of this warranty, a “residential application” shall refer to an installation of the Product on an individual residence, and a “commercial application” shall refer to any installation of the Product other than on an individual residence.

**TO THE FULLEST EXTENT PERMITTED UNDER THE LAW, THIS WARRANTY SHALL NOT COVER AND TREX SHALL NOT BE RESPONSIBLE FOR COSTS AND EXPENSES INCURRED WITH RESPECT TO THE REMOVAL OF DEFECTIVE TREX PRODUCTS OR THE INSTALLATION OF REPLACEMENT MATERIALS, INCLUDING BUT NOT LIMITED TO LABOR AND FREIGHT.**

With respect to a residential application, this warranty may be transferred one (1) time, within the five (5) year period beginning from the date of original purchase by the Purchaser, to a subsequent buyer of the property upon which the Trex products were originally installed. With respect to a commercial application, this warranty is freely transferable to subsequent buyers of the property upon which the Trex products were originally installed.

To make a claim under this limited warranty, Purchaser, or the transferee, shall send to Trex, within the warranty period referred to above, a description of the claimed defect and proof of purchase, to the following address:

Trex Company, Inc.  
Customer Relations  
160 Exeter Drive  
Winchester, VA 22603-8605

Trex does not warrant against and is not responsible for any condition attributable to: (1) improper installation of Trex products and/or failure to abide by Trex’s installation guidelines, including but not limited to improper gapping; (2) use of Trex products beyond normal use and service conditions, or in an application not recommended by Trex’s guidelines and local building codes; (3) movement, distortion, collapse or settling of the ground or the supporting structure on which Trex products are installed; (4) any act of God (such as flooding, hurricane, earthquake, lightning, etc.), environmental condition (such as air pollution, mold, mildew, etc.), staining from foreign substances (such as dirt, grease, oil, etc.), or normal weathering (defined as exposure to sunlight, weather and atmosphere which will cause any colored surface to gradually fade, chalk, or accumulate dirt or stains); (5) variations or changes in color of Trex products; (6) improper handling, storage, abuse or neglect of Trex products by Purchaser, the transferee or third parties; or (7) ordinary wear and tear.

No person or entity is authorized by Trex to make and Trex shall not be bound by any statement or representation as to the quality or performance of Trex products other than as contained in this warranty. This warranty may not be altered or amended except in a written instrument signed by Trex and Purchaser.

**TO THE FULLEST EXTENT PERMITTED UNDER THE LAW, UNDER NO CIRCUMSTANCES WILL TREX BE LIABLE FOR INCIDENTAL OR CONSEQUENTIAL DAMAGES, WHETHER SUCH DAMAGES ARE SOUGHT IN CONTRACT, IN TORT (INCLUDING BUT NOT LIMITED TO NEGLIGENCE AND STRICT LIABILITY) OR OTHERWISE, AND TREX’S LIABILITY FOR NON-PERSONAL INJURY CLAIMS WITH RESPECT TO DEFECTIVE PRODUCTS SHALL IN NO EVENT EXCEED THE REPLACEMENT OF SUCH PRODUCTS OR REFUND OF THE PURCHASE PRICE, AS DESCRIBED ABOVE.**

Some States or Provinces do not allow the exclusion or limitation of incidental or consequential damages, so the above limitation or exclusion may not apply to you. This warranty gives you specific legal rights, and you may also have other rights that vary from State to State or Province to Province.

Copyright © 2018 Trex Company, Inc.





## TREX® SIGNATURE™/REVEAL® RAILING LIMITED WARRANTY

Trex Company, Inc. (hereinafter “Trex”) warrants to the original purchaser (“Purchaser”) that, under normal use and service conditions, Trex® Signature™/Reveal® Railing (the “Product”) shall, for a period of twenty-five (25) years from the date of original purchase, be free from material defects in workmanship and materials. If a defect occurs within the warranty period, Purchaser shall notify Trex in writing and, upon confirmation by an authorized Trex representative of the defect, Trex’s sole responsibility shall be, at its option, to either replace the defective Product or refund the portion of the purchase price paid by Purchaser for such defective Product (not including the cost of its initial installation).

With respect to installations where the atmosphere is influenced by a body of salt water (or other contaminant conditions), failure to adhere to the cleaning guidelines available at [www.trex.com](http://www.trex.com) will void this warranty with respect to any condition resulting from such failure.

**TO THE FULLEST EXTENT PERMITTED UNDER THE LAW, THIS WARRANTY SHALL NOT COVER AND TREX SHALL NOT BE RESPONSIBLE FOR COSTS AND EXPENSES INCURRED WITH RESPECT TO THE REMOVAL OF DEFECTIVE PRODUCT OR THE INSTALLATION OF REPLACEMENT MATERIALS, INCLUDING BUT NOT LIMITED TO LABOR AND FREIGHT.**

This warranty may be transferred one (1) time, within the five (5) year period beginning from the date of original purchase by the Purchaser, to a subsequent buyer of the property upon which the Product was originally installed.

To make a claim under this limited warranty, Purchaser, or the transferee, shall send to Trex, within the warranty period referred to above, a description of the claimed defect and proof of purchase, to the following address:

Trex Company, Inc.  
Customer Relations  
160 Exeter Drive  
Winchester, VA 22603-8605

Trex does not warrant against and is not responsible for any condition attributable to: (1) improper installation of the Product; (2) use of the Product beyond normal use and service conditions, or in an application not recommended by Trex’s guidelines and local building codes; (3) movement, distortion, collapse or settling of the ground or the supporting structure on which the Product is installed; (4) damages attributable to fire, violent storms, earthquake or other Acts of God, accidents, vandalism, or other casualties, impact of objects, or exposure to atmospheric pollutants or conditions other than natural weather processes, (5) improper handling, storage, abuse or neglect of the Product by Purchaser, the transferee or third parties; or (6) ordinary wear and tear.

No person or entity is authorized by Trex to make and Trex shall not be bound by any statement or representation as to the quality or performance of Trex products other than as contained in this warranty. This warranty may not be altered or amended except in a written instrument signed by Trex and Purchaser.

**TO THE FULLEST EXTENT PERMITTED UNDER THE LAW, UNDER NO CIRCUMSTANCES WILL TREX BE LIABLE FOR INCIDENTAL OR CONSEQUENTIAL DAMAGES, WHETHER SUCH DAMAGES ARE SOUGHT IN CONTRACT, IN TORT (INCLUDING BUT NOT LIMITED TO NEGLIGENCE AND STRICT LIABILITY) OR OTHERWISE, AND TREX’S LIABILITY FOR NON-PERSONAL INJURY CLAIMS WITH RESPECT TO DEFECTIVE PRODUCTS SHALL IN NO EVENT EXCEED THE REPLACEMENT OF SUCH PRODUCTS OR REFUND OF THE PURCHASE PRICE, AS DESCRIBED ABOVE.**

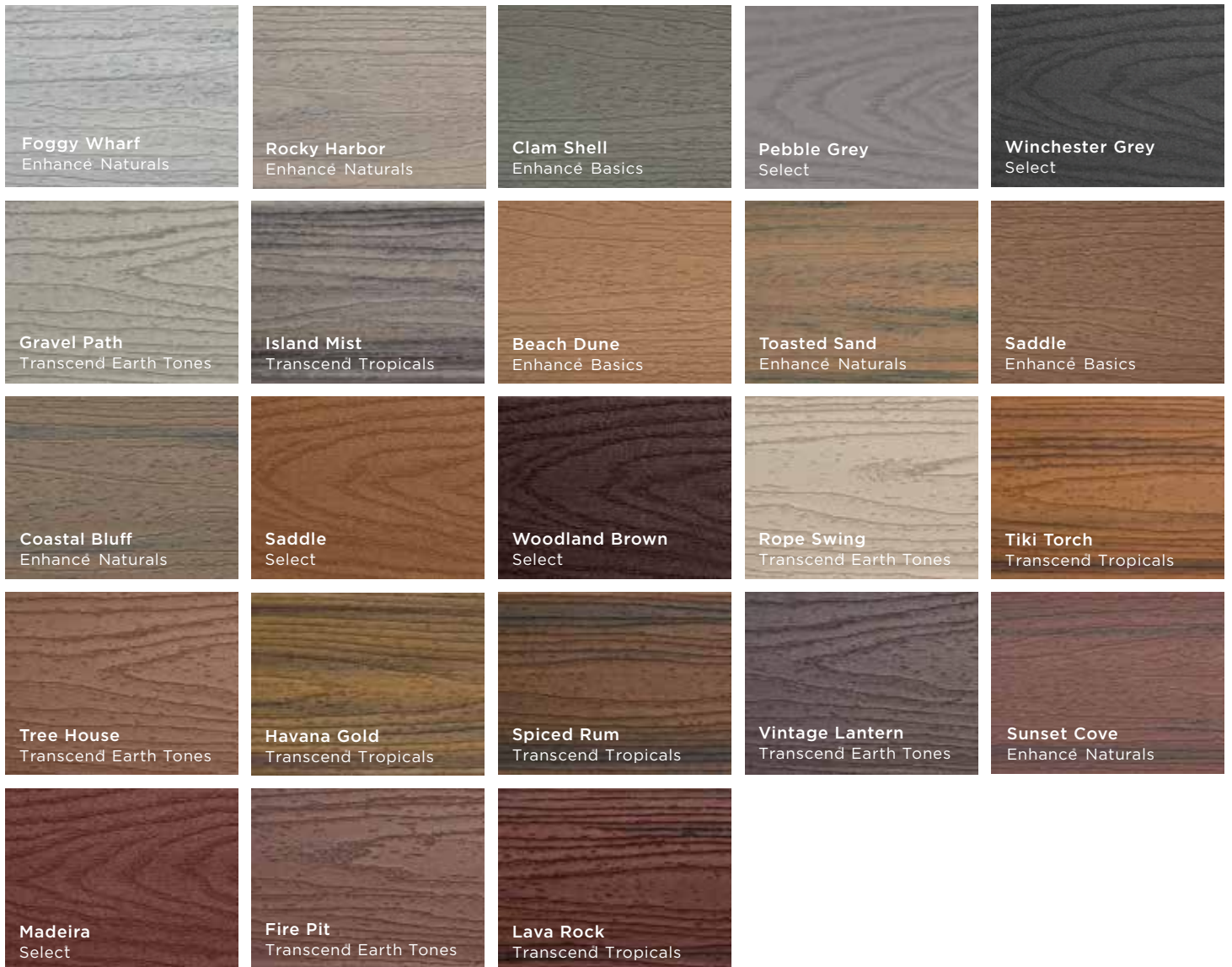
Some States or Provinces do not allow the exclusion or limitation of incidental or consequential damages, so the above limitation or exclusion may not apply to you. This warranty gives you specific legal rights, and you may also have other rights that vary from State to State or Province to Province.

Copyright © 2018 Trex Company, Inc.



# DECKING & RAILING COLOR PALETTE

## DECKING



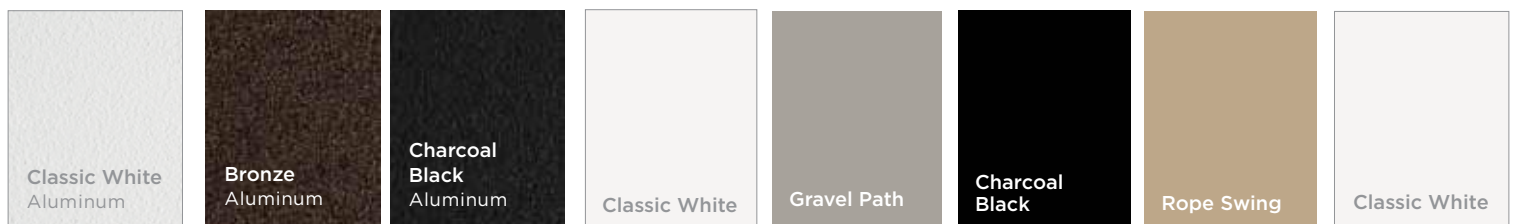
## RAILING

Trex® Signature™

Trex Transcend®

Trex Select®

### AVAILABLE RAIL COLORS:



### AVAILABLE ROD COLORS:





FRAMING | DECKING | RAILING | LIGHTING | FASCIA | STORAGE | FURNITURE | PERGOLA | DRAINAGE



FIND US ON



Visit [trex.com](http://trex.com) or call 1-800-BUY-TREX



© 2019 Trex Company, Inc. All rights reserved. Trex®, the Trex logo, Trex Transcend®, Trex Enhance®, Trex Select®, Trex Hideaway®, Trex Elevations®, Trex® OutdoorLighting™, Trex Blade™, Trex® LandscapeLighting™, Trex® Outdoor Kitchens™, Trex® Signature™, Trex® Spiral Stairs™, Trex® Deck Lighting™, Trex® RainEscapes®, Trex® Pergola™, TrexPro®, Trex® LatticeWorks™ and Trex® Cornhole™ are either federally registered trademarks, trademarks or trade dress of Trex Company, Inc., Winchester, Virginia or its licensees.